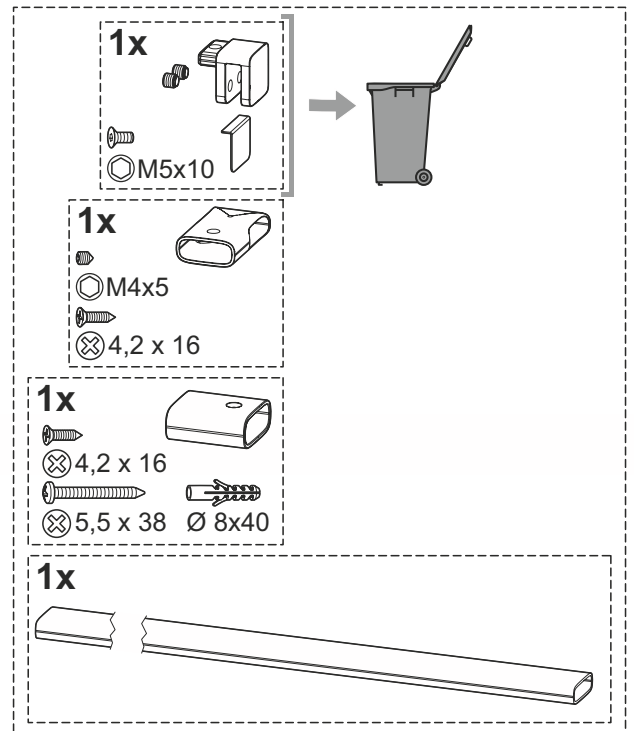
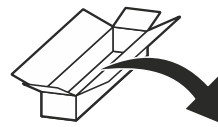
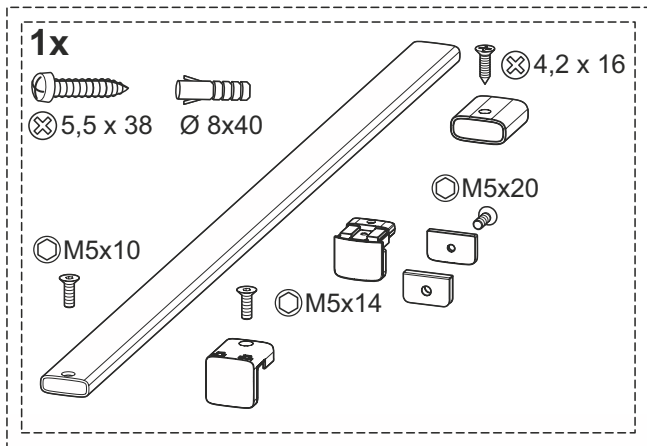
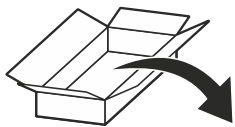
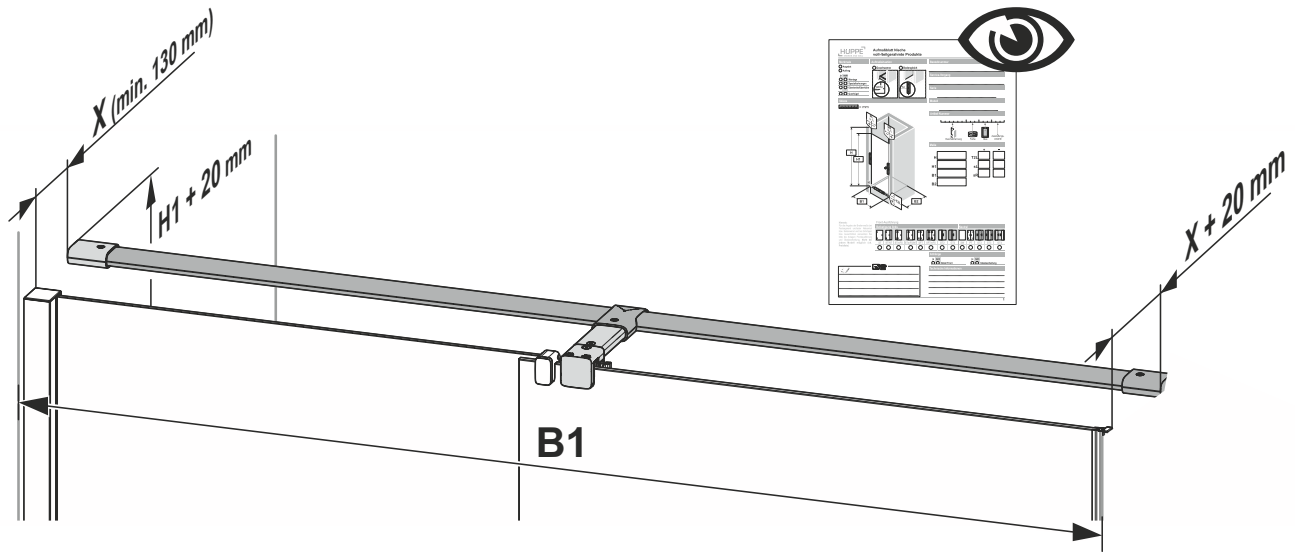
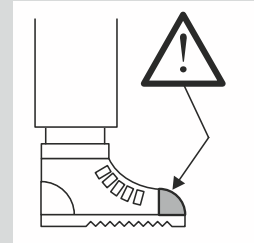
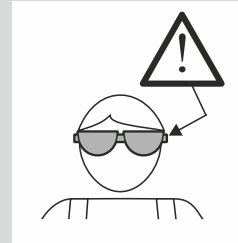
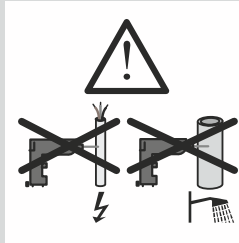
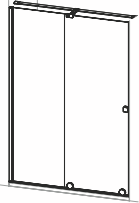
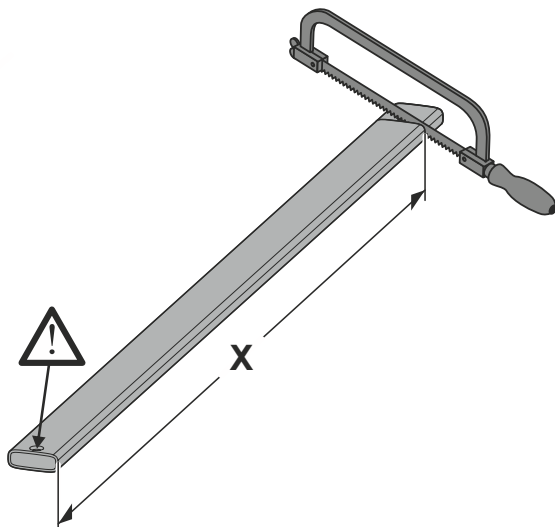


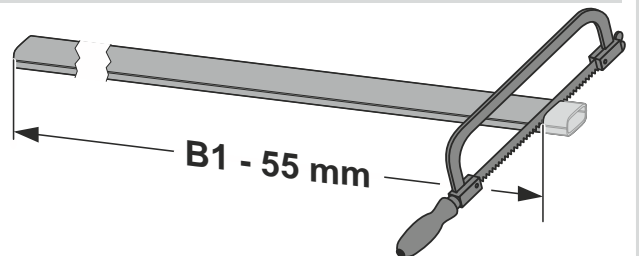
A



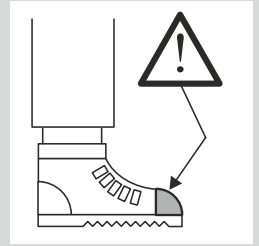
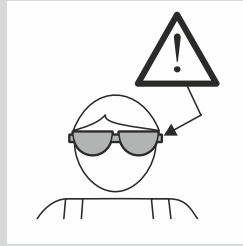
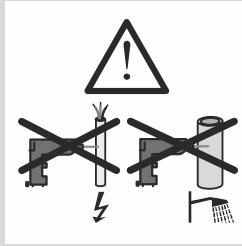
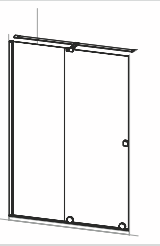
1



1

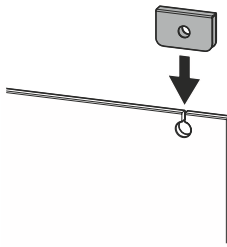


A

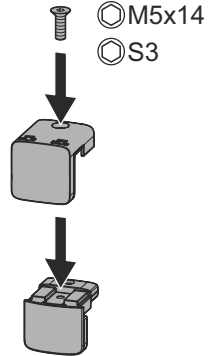


2

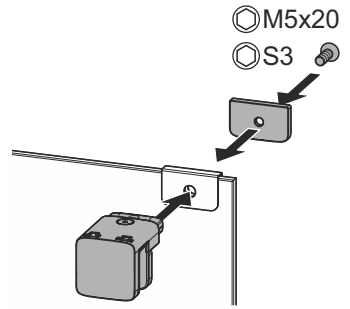
1



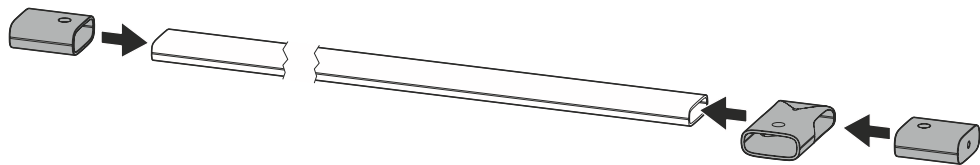
2



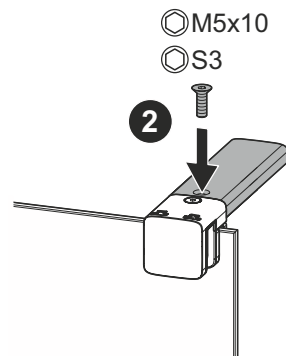
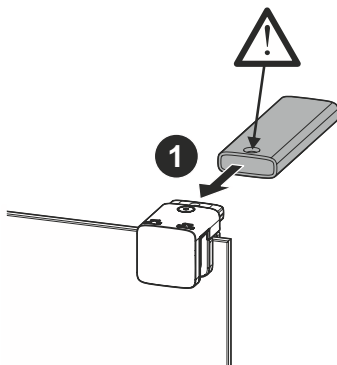
3



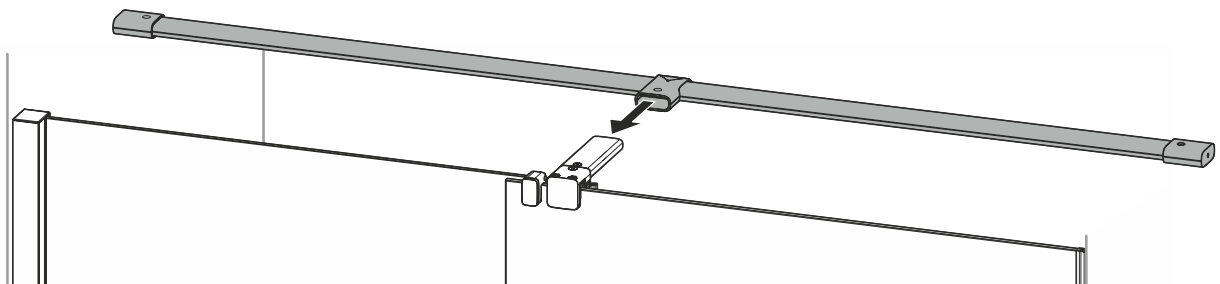
3



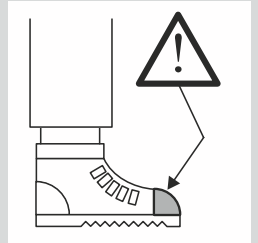
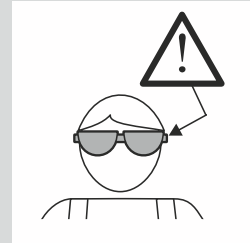
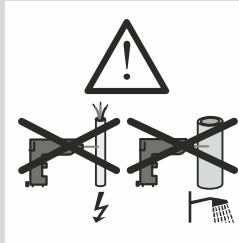
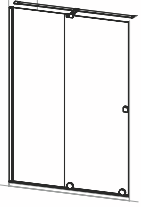
4



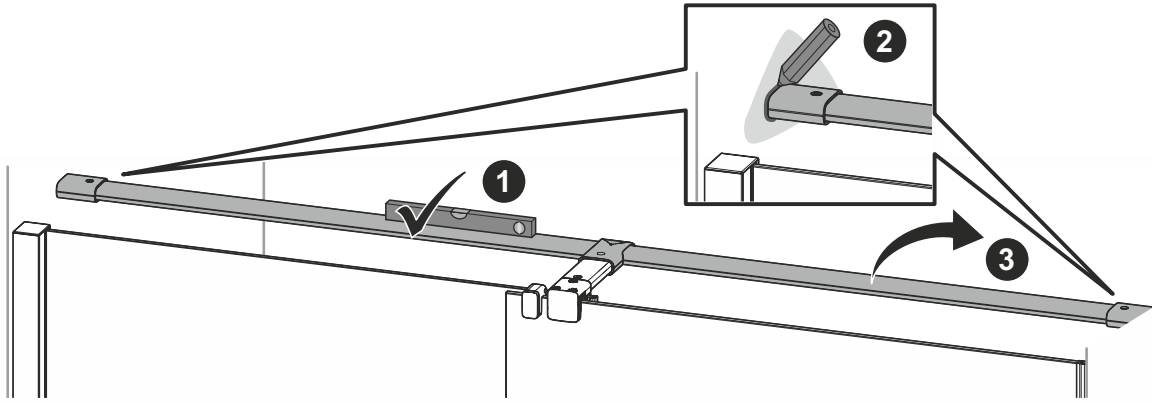
5



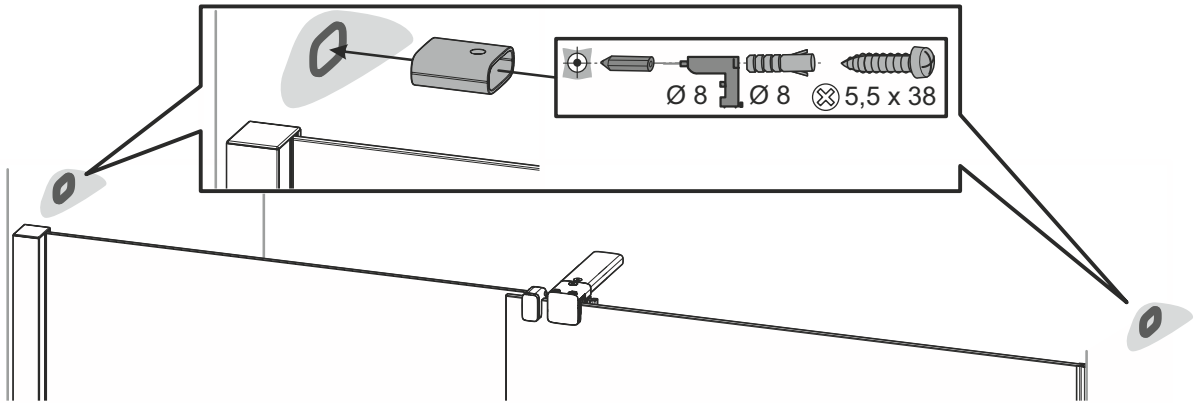
A



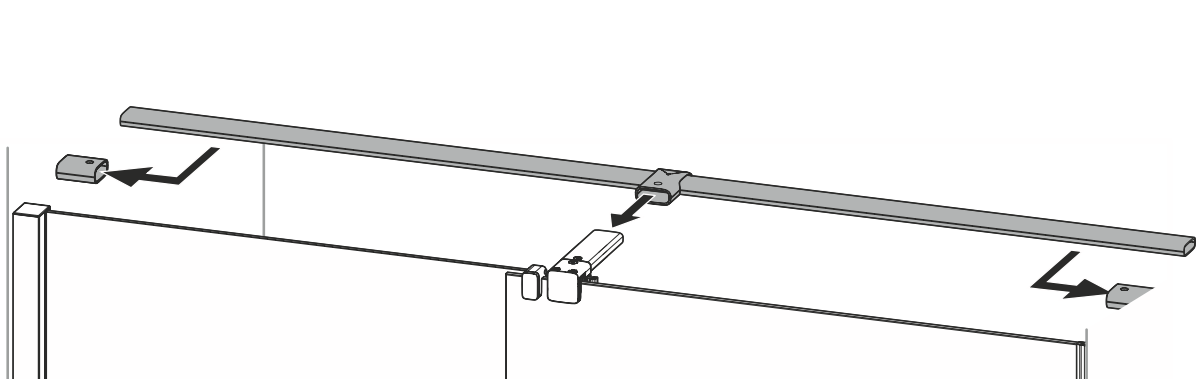
6



7



8



9

