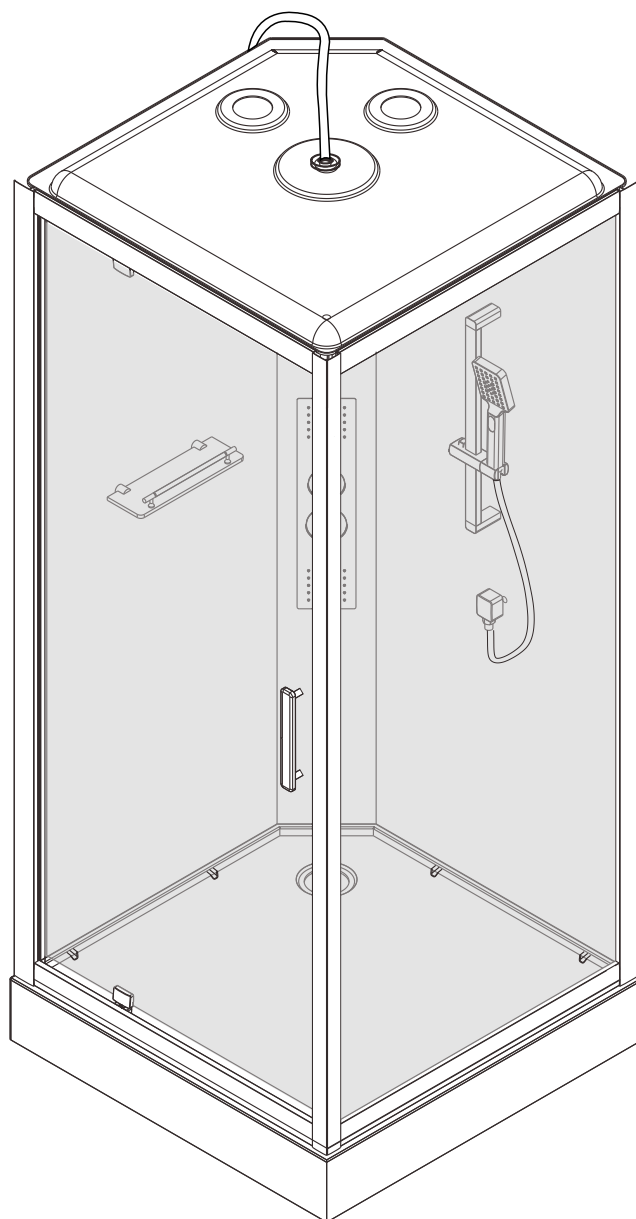
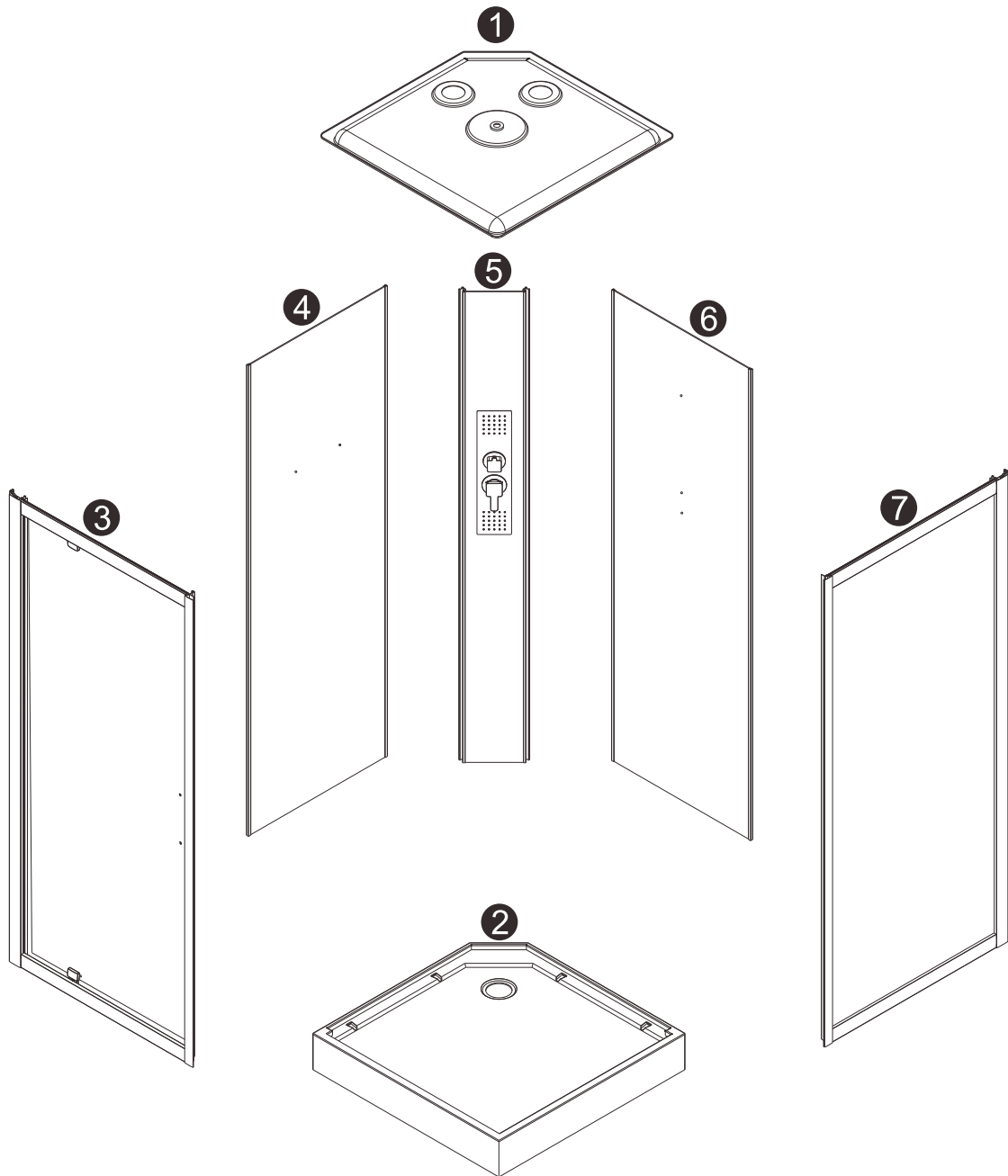
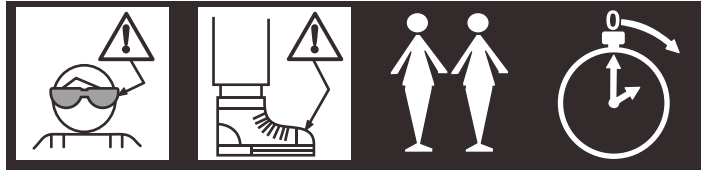
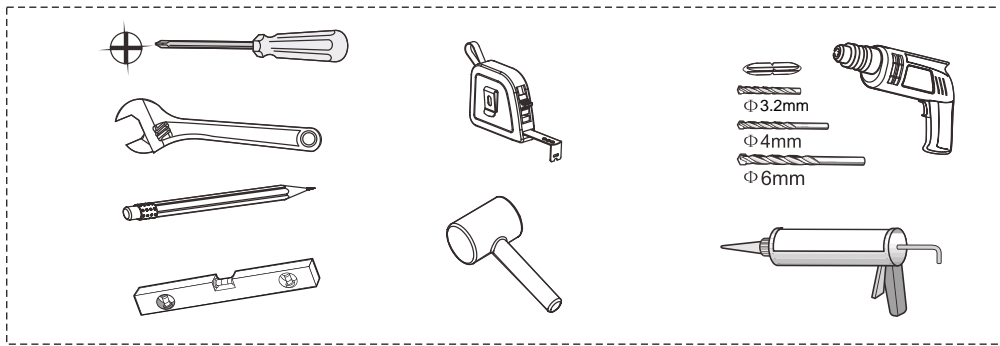







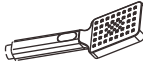






Cabine de douche Hydro MALAURY
H.222 x L.90 x P.90
Réf : 1246994












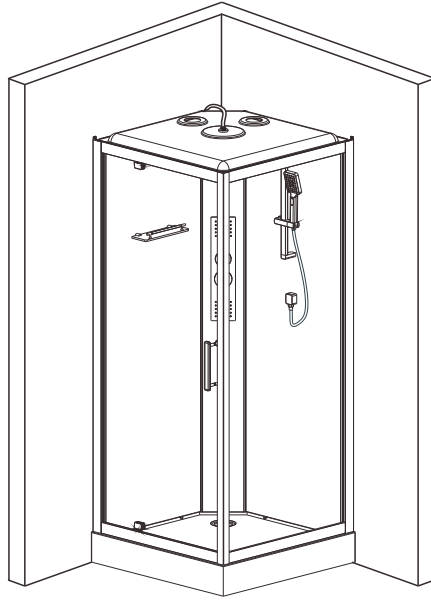
V:03/2020



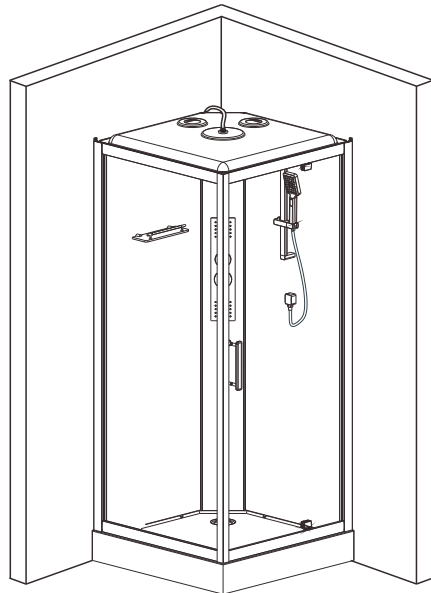


A1	 ST4x12mm	X10
A2	 ST4x16mm	X4
A3	 M4x16mm	X4
A4	 ST4x30mm	X2
D1		X1
D2		X1
D3		X1
D4		X1
E1		X1
F1		X1
G1	 791mm	X1
G2	 793mm	X1

H1		X1
J		X1
J2		X2
K		X4
K1		X1
K2		X1
K3		X1
K4		X1
L	 3M 3M	X2

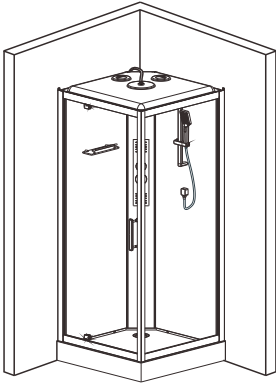


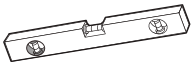
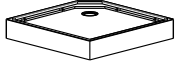
1 → **19**

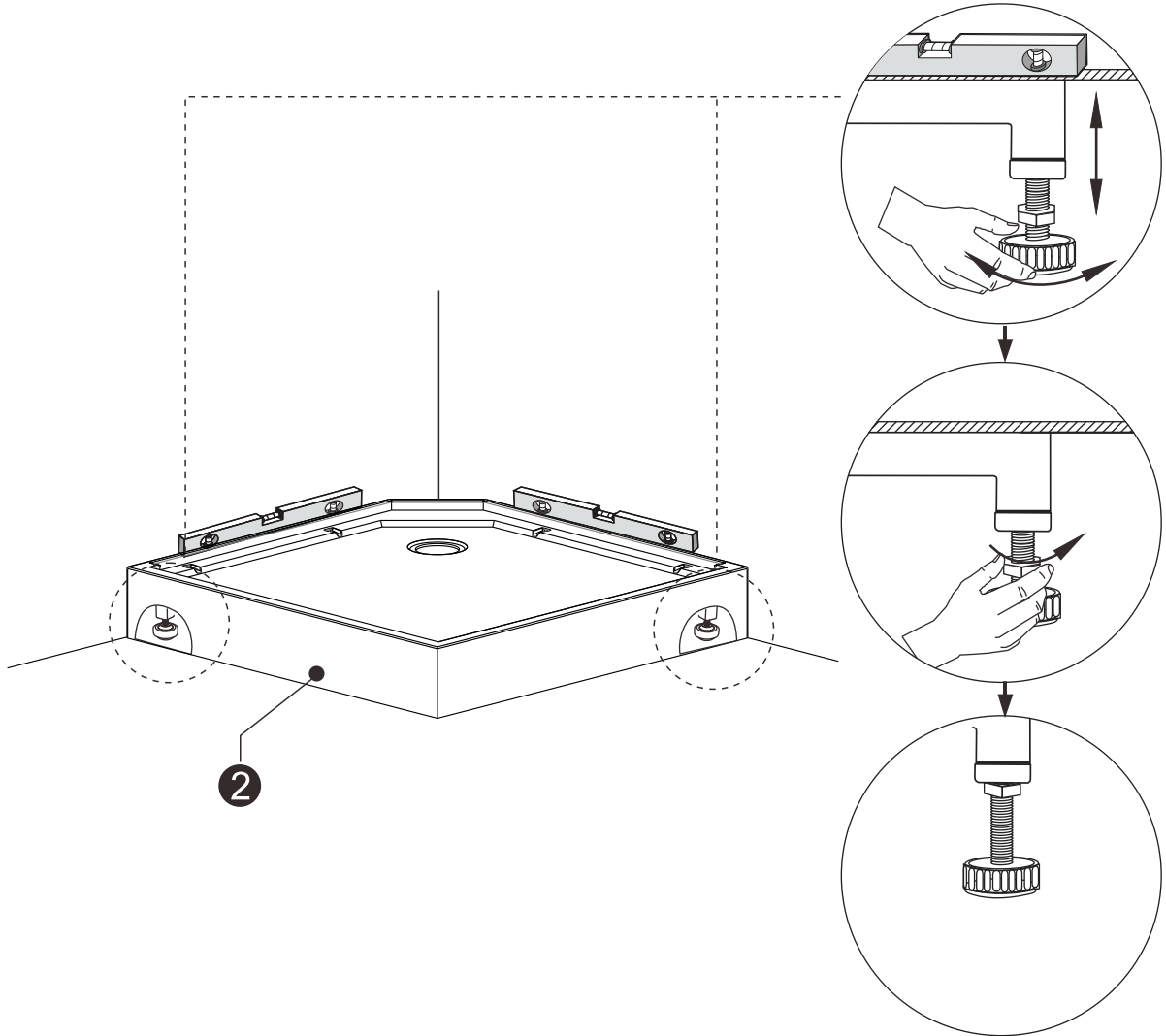


20 → **38**

1

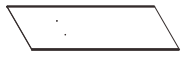


	<p>2</p> 	x1
--	--	----

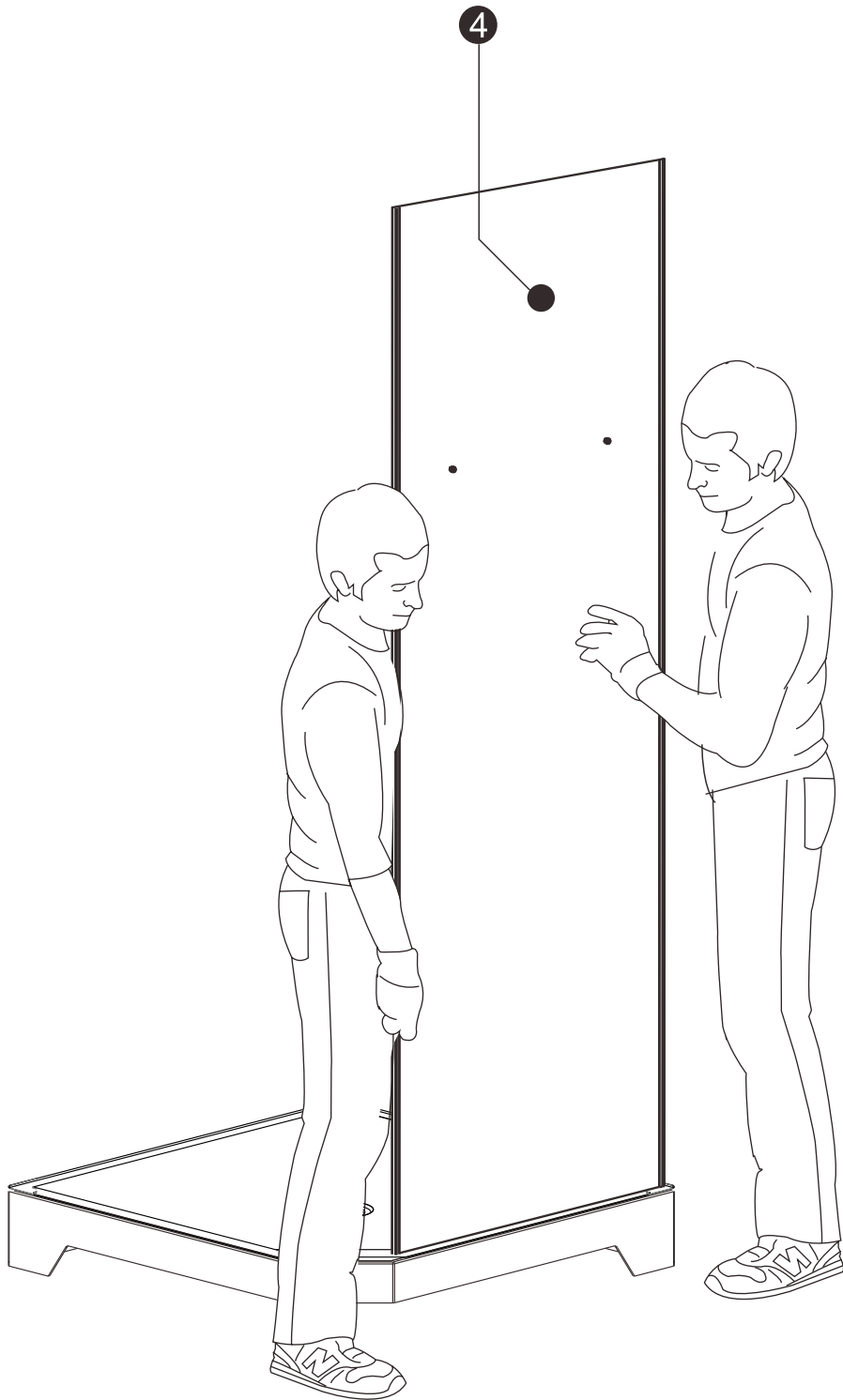


2

4



x1



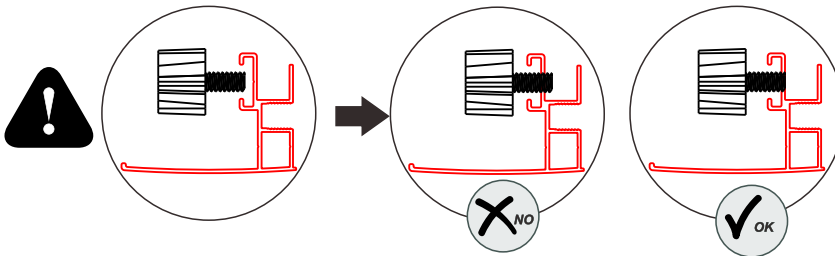
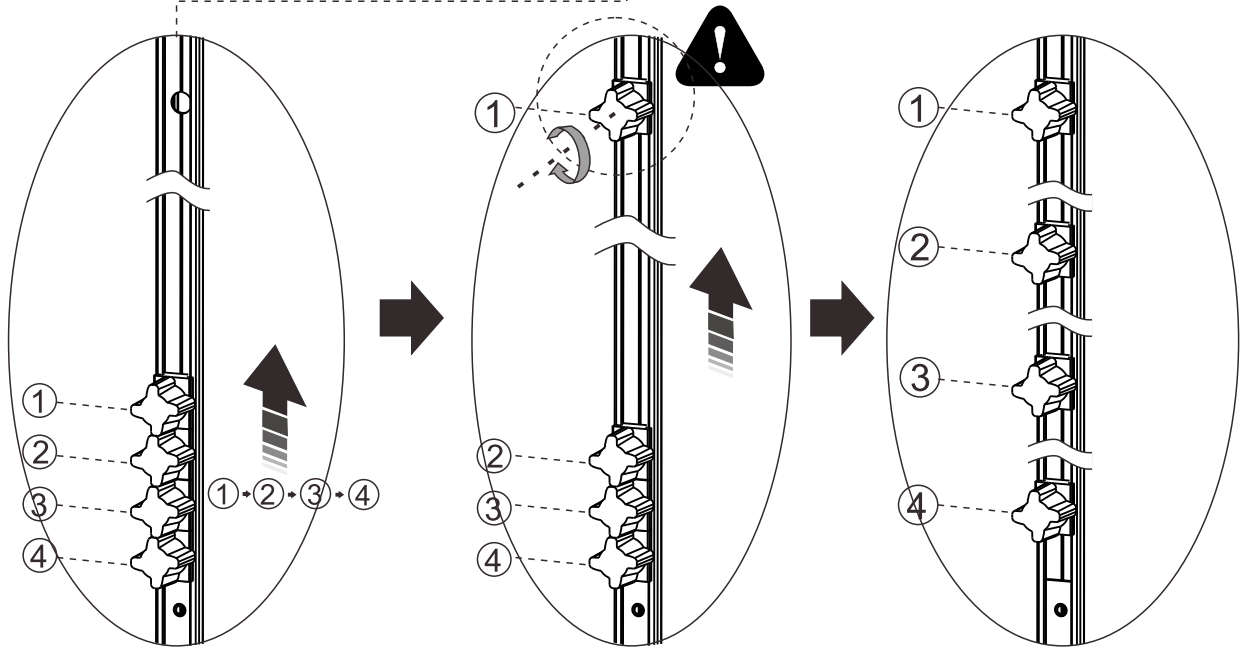
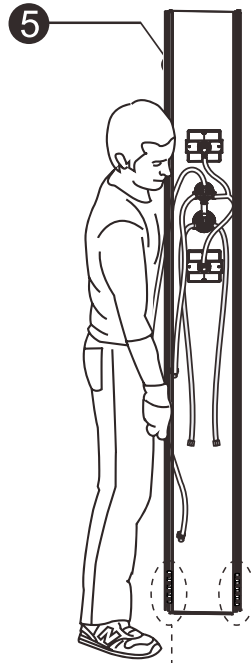
6

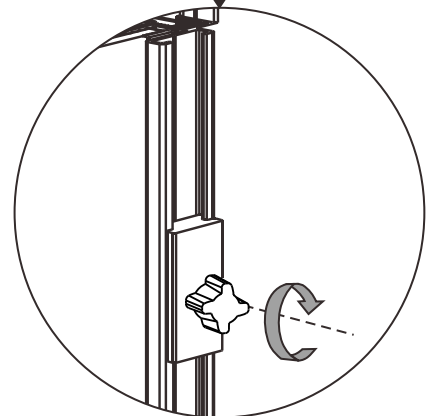
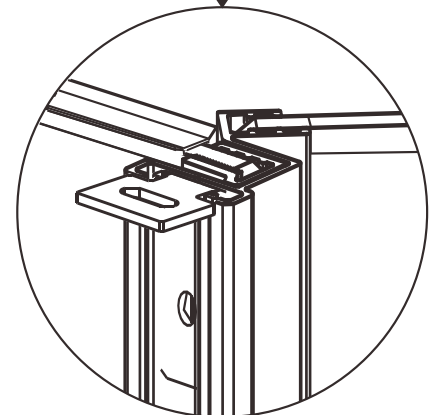
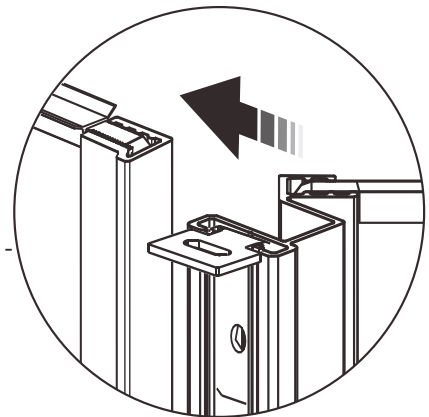
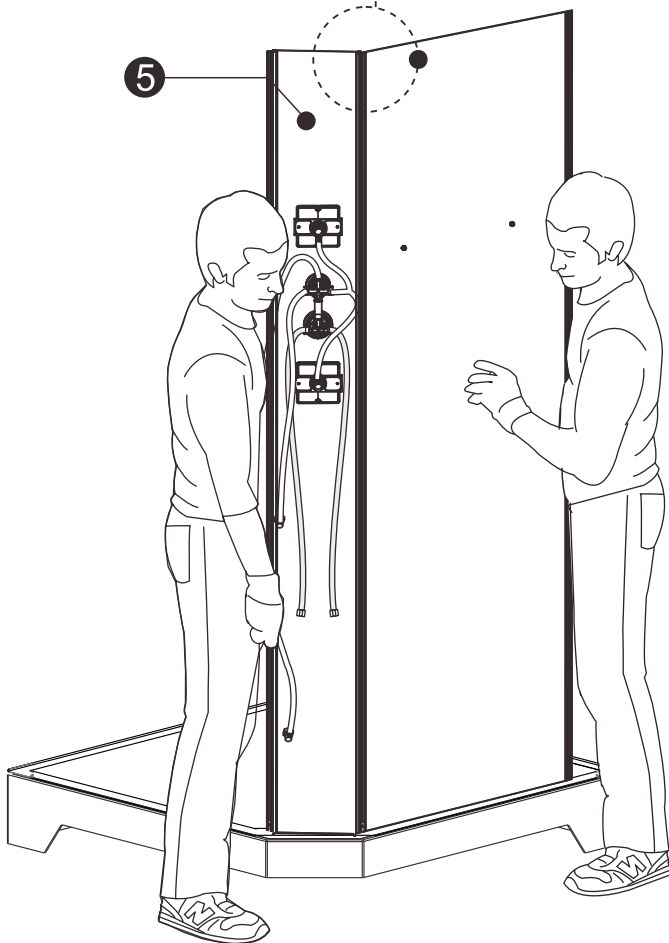
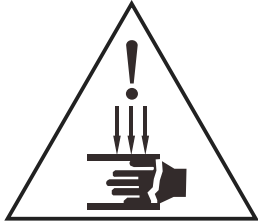
3

5

CC

x1

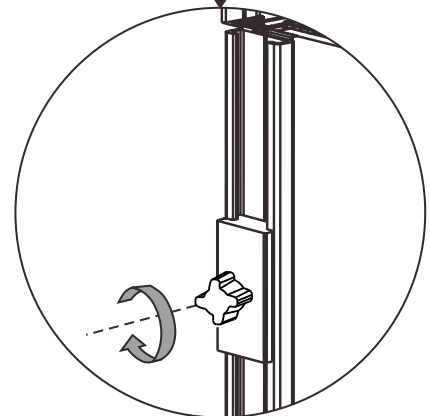
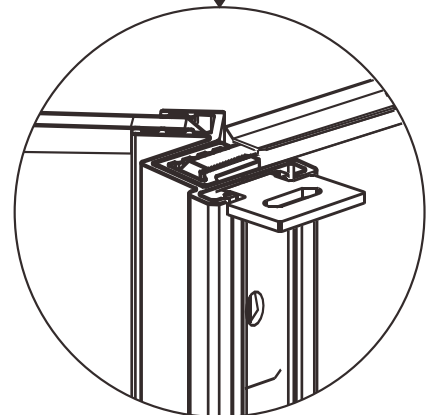
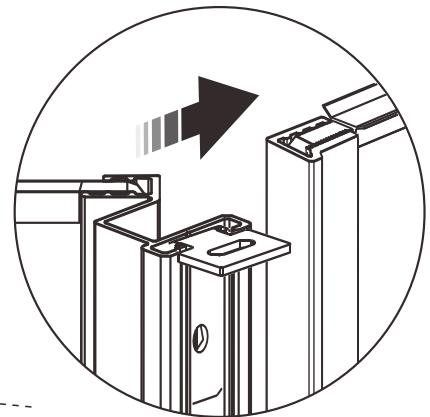
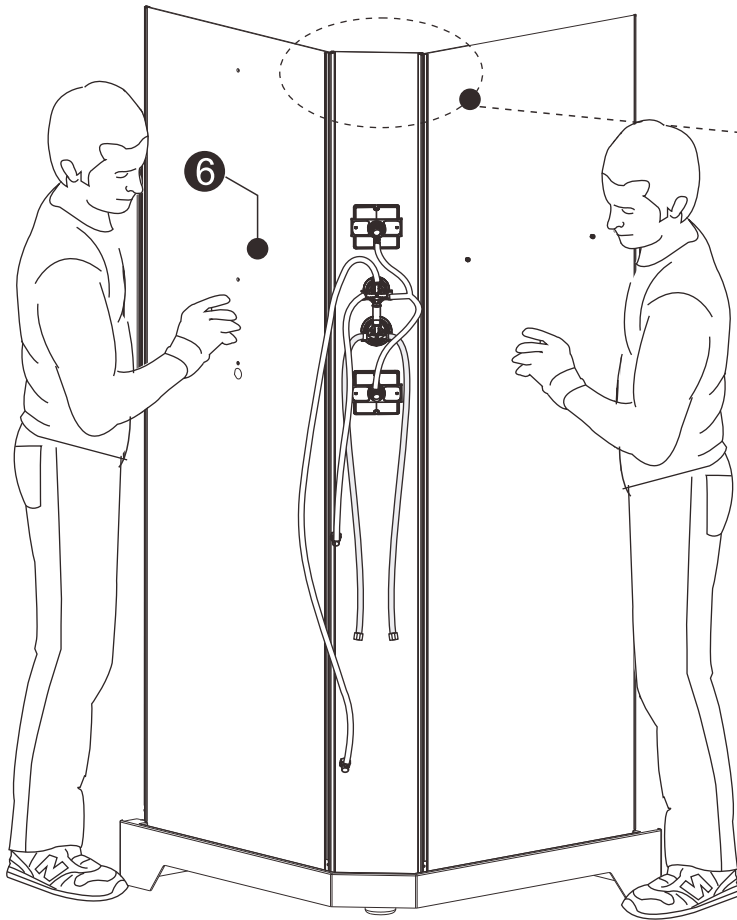
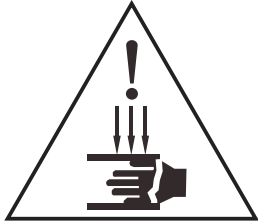




5

6

x1

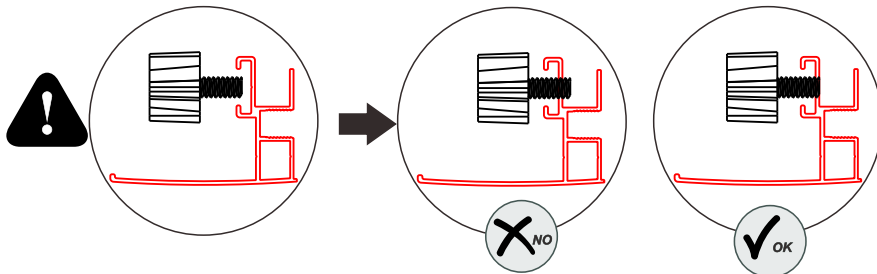
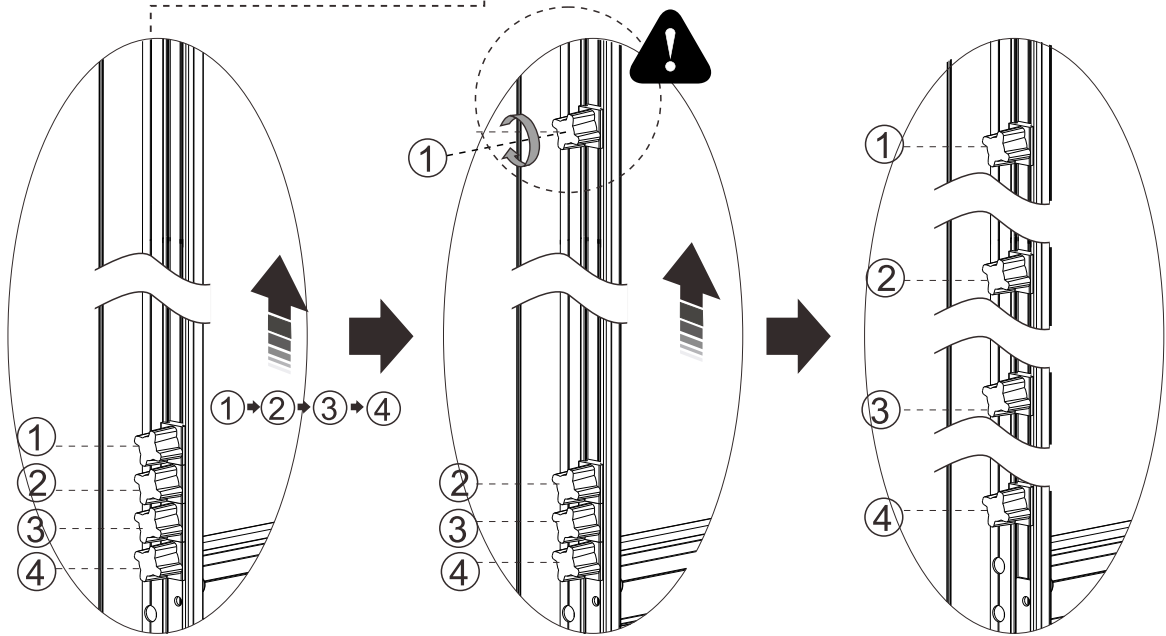
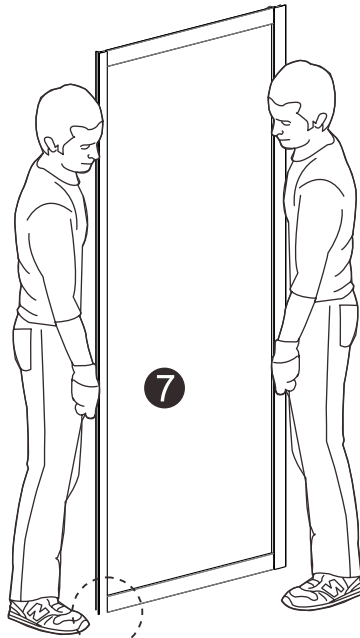


6

7



x1

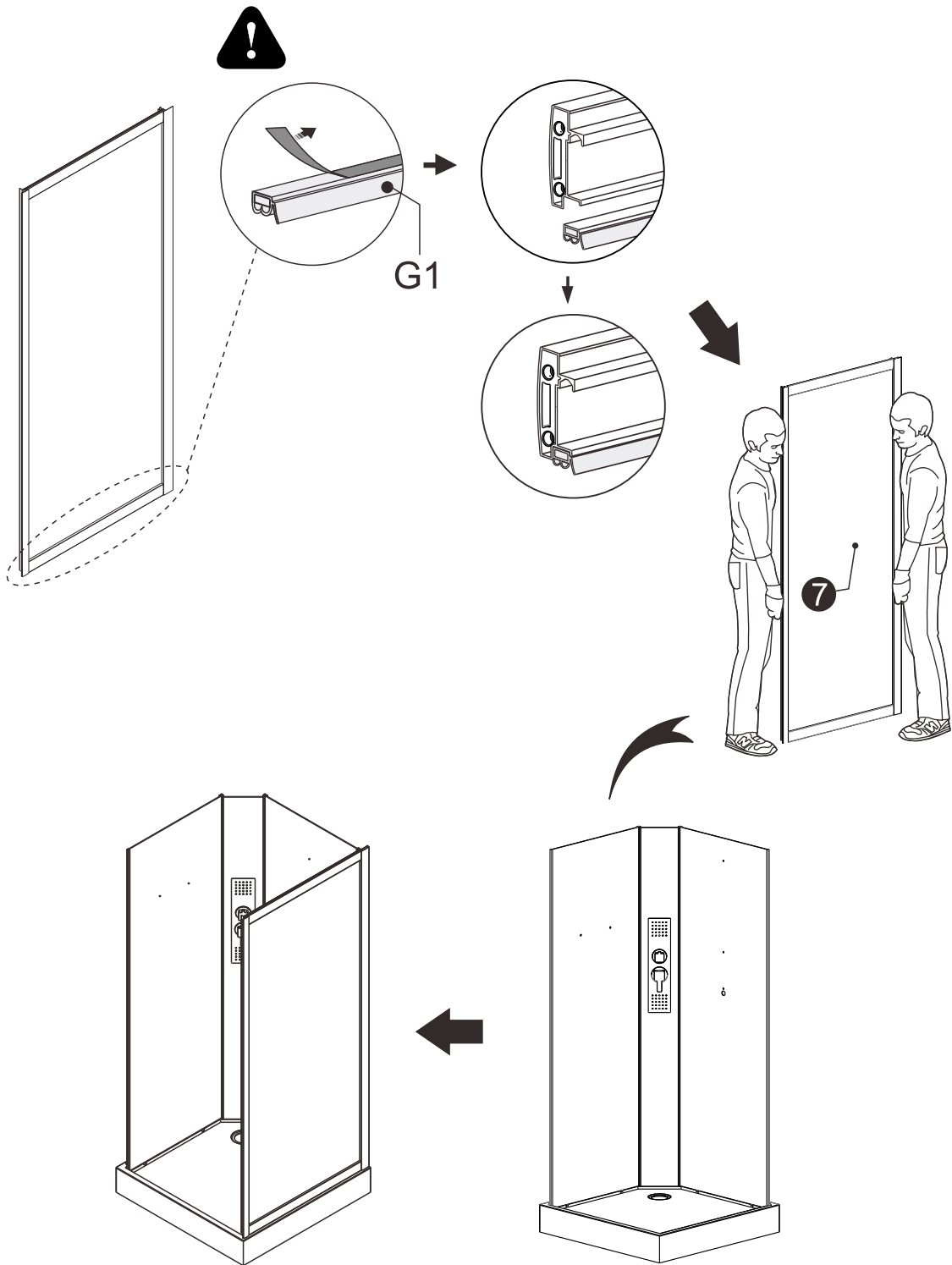


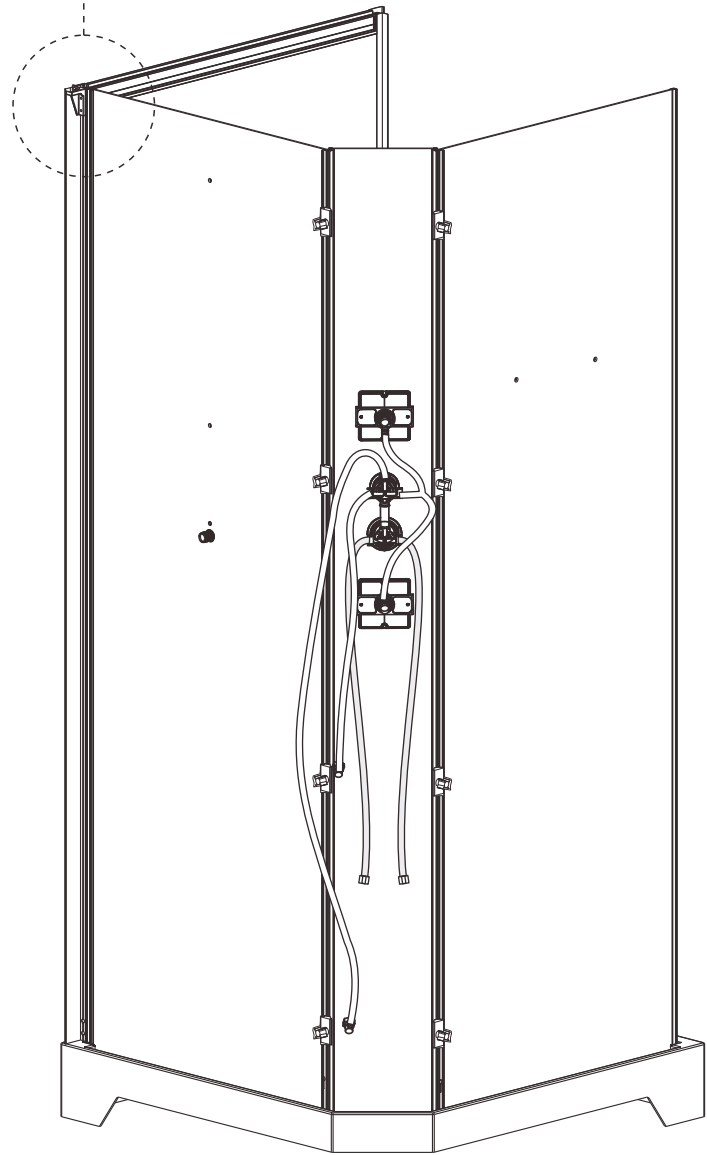
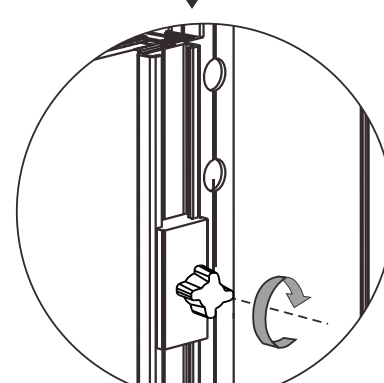
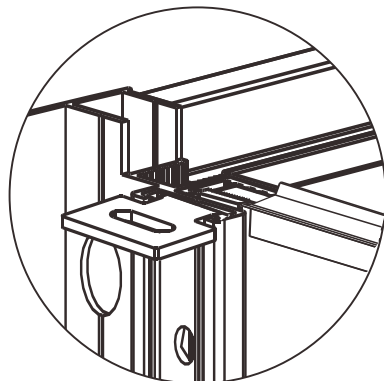
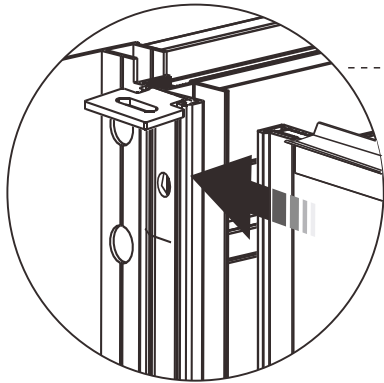
7

G1

791mm

x1



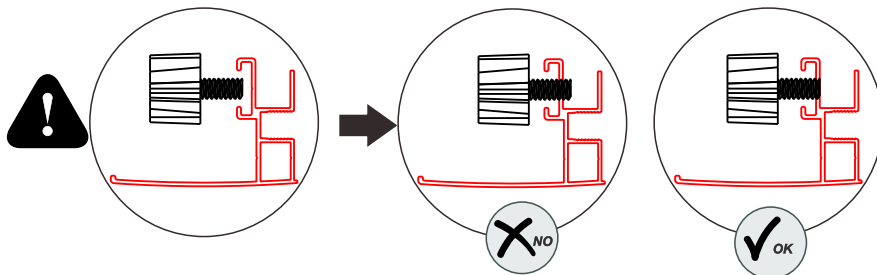
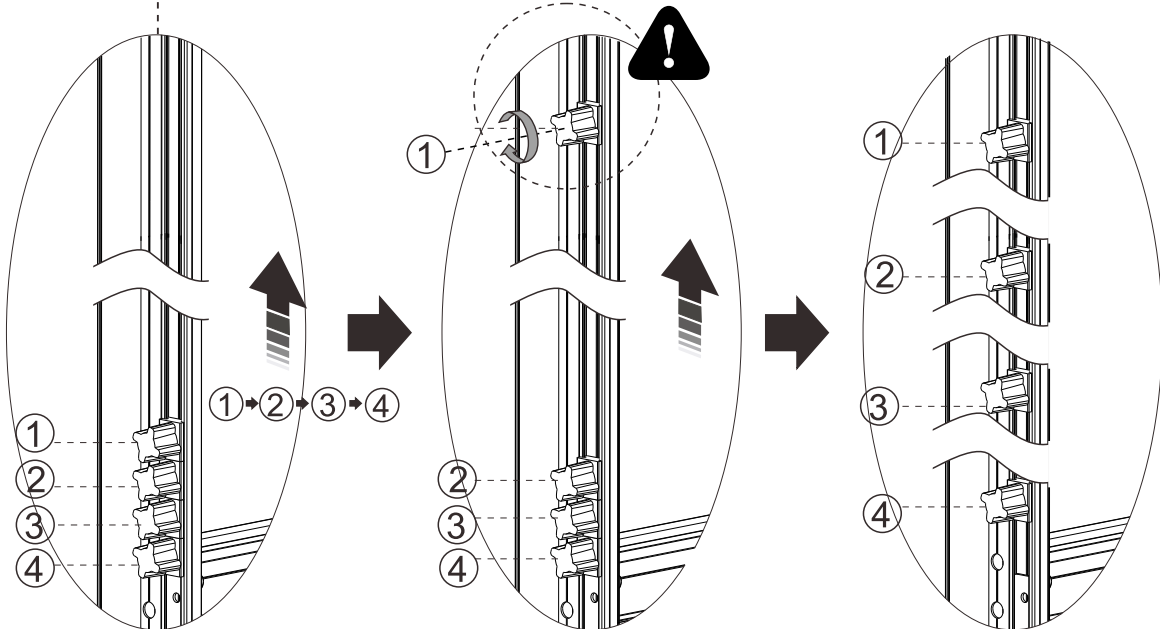
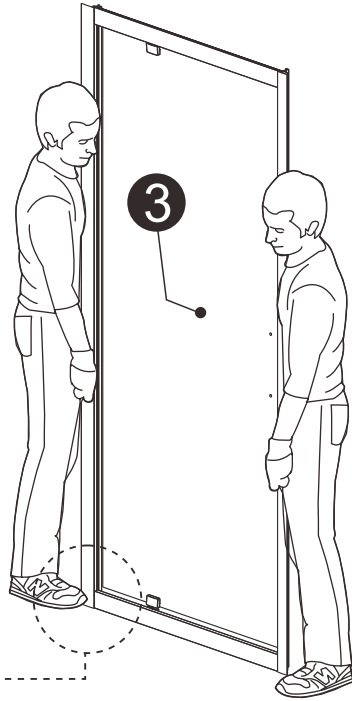


9

3



x1



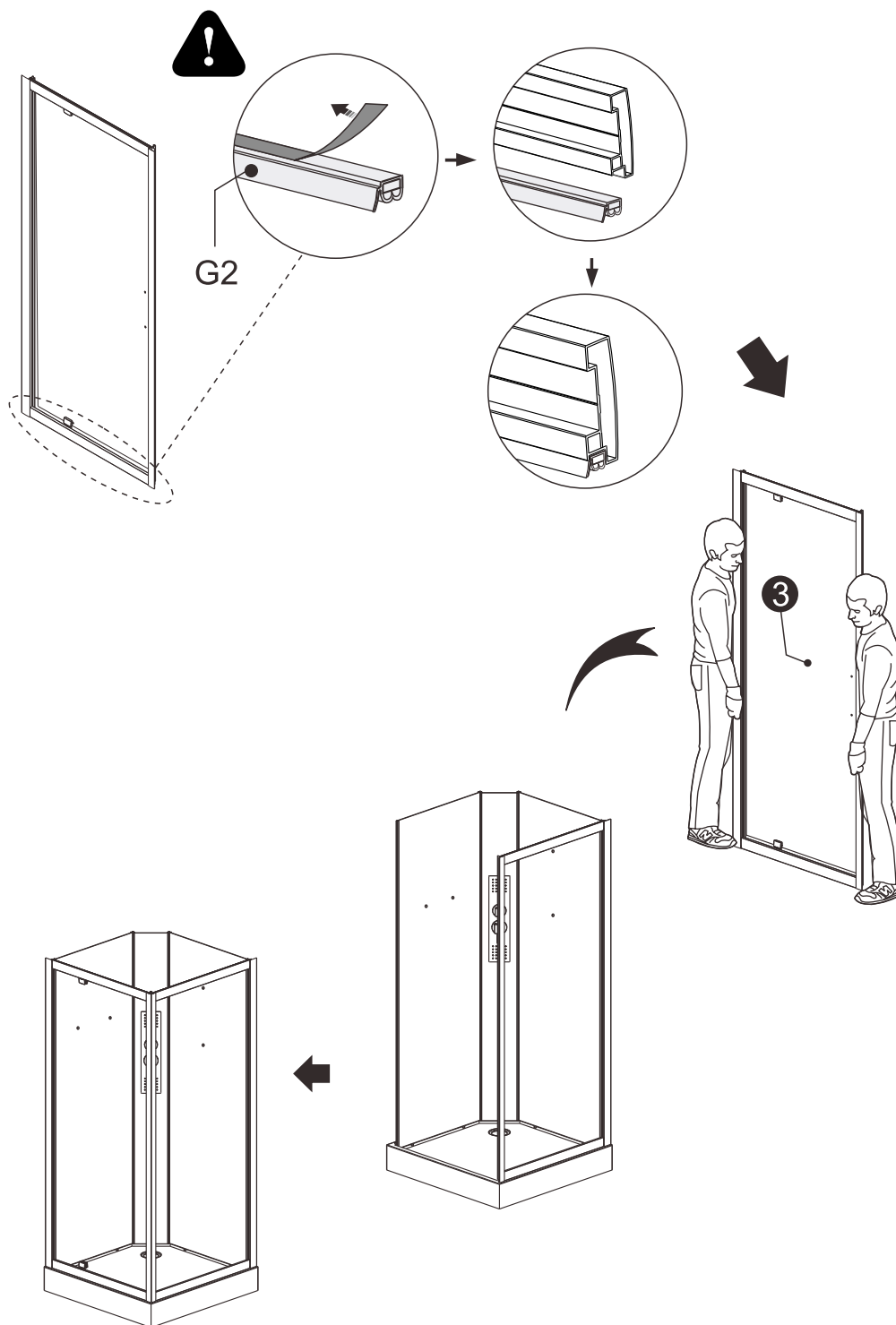
10

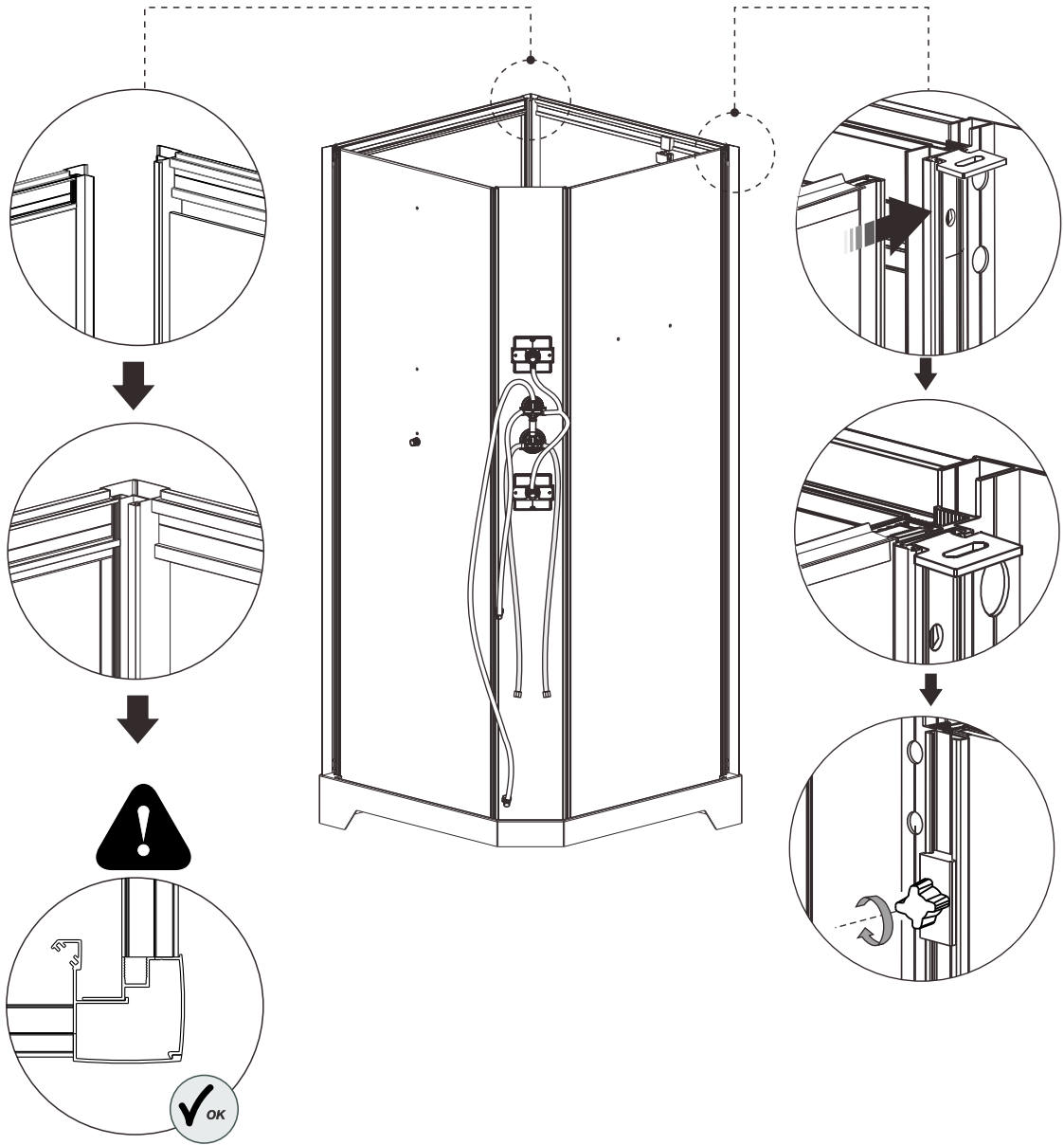
G2



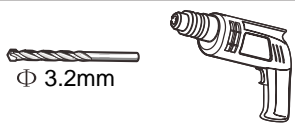


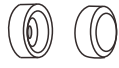
793mm

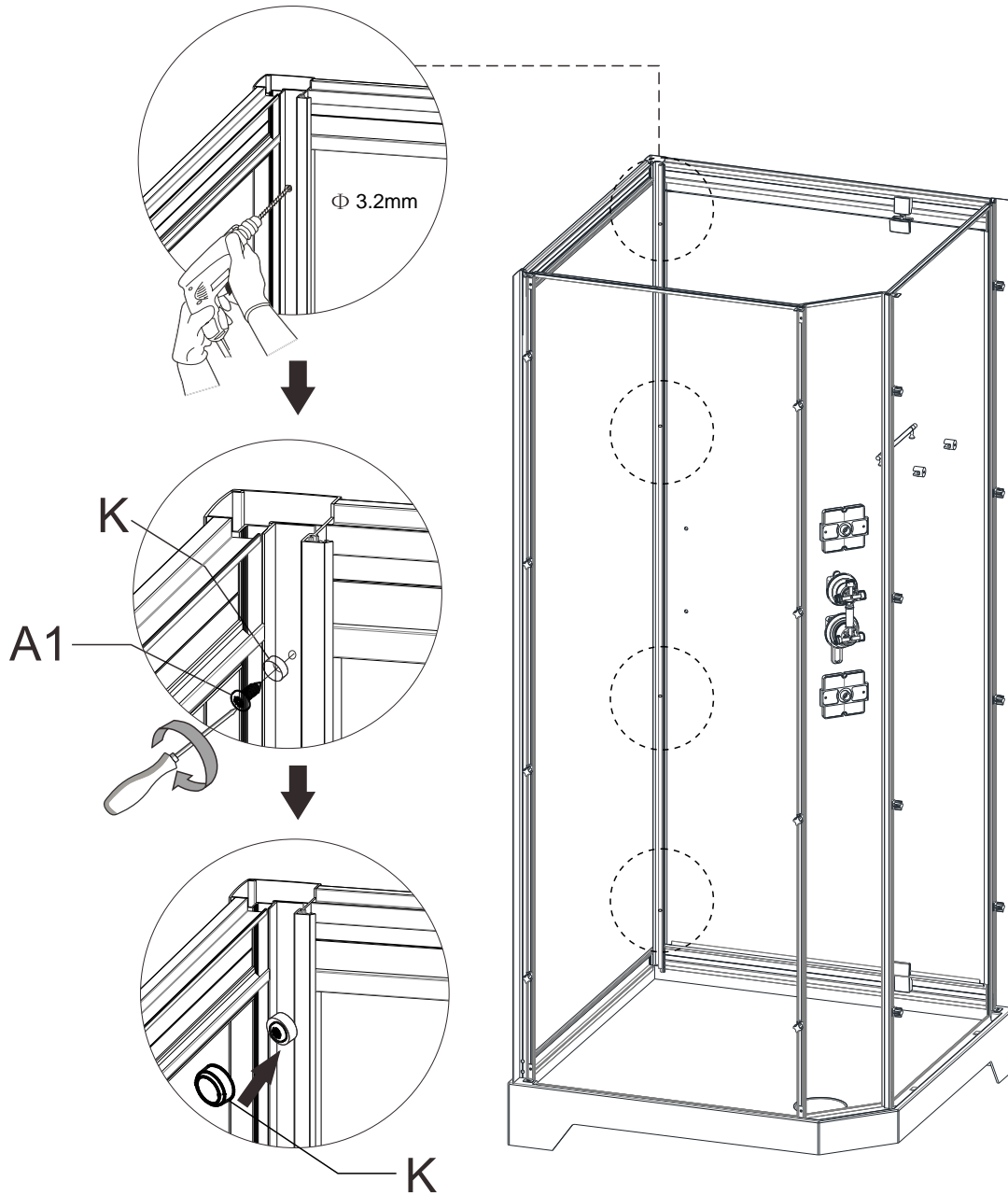
x1





12

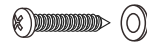
 Φ 3.2mm	A1  ST4x12mm x4
	K  x4



13



A2



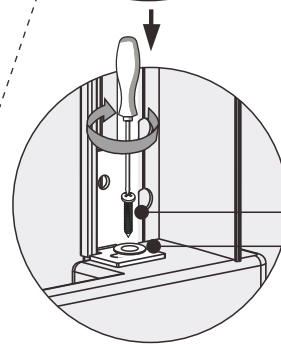
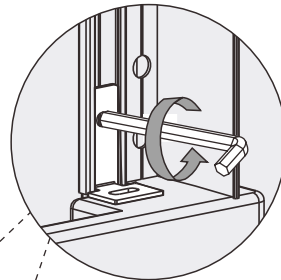
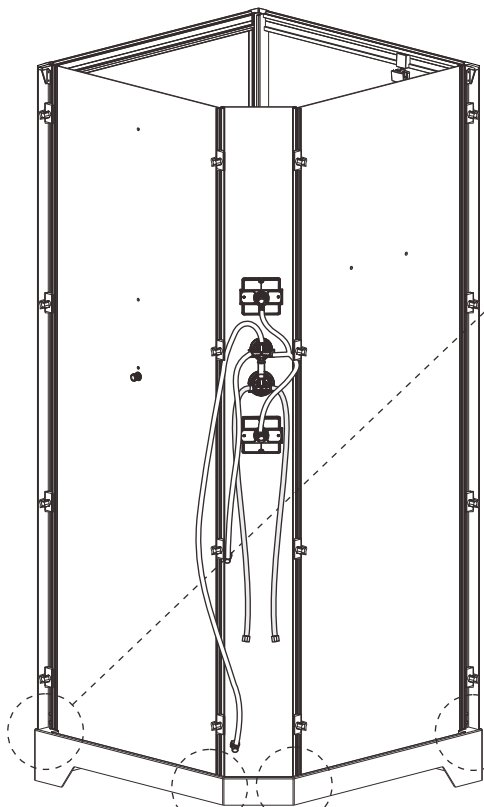
ST4x16mm

x4

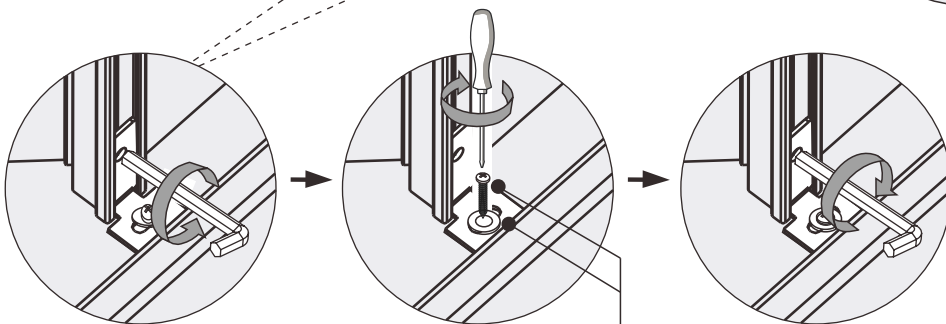
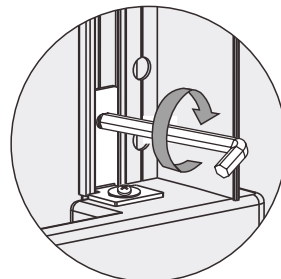
J



x1



A2



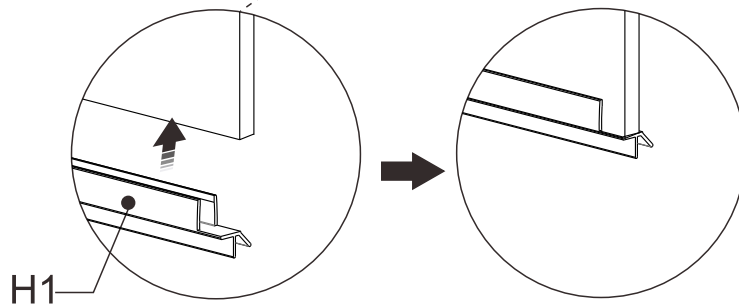
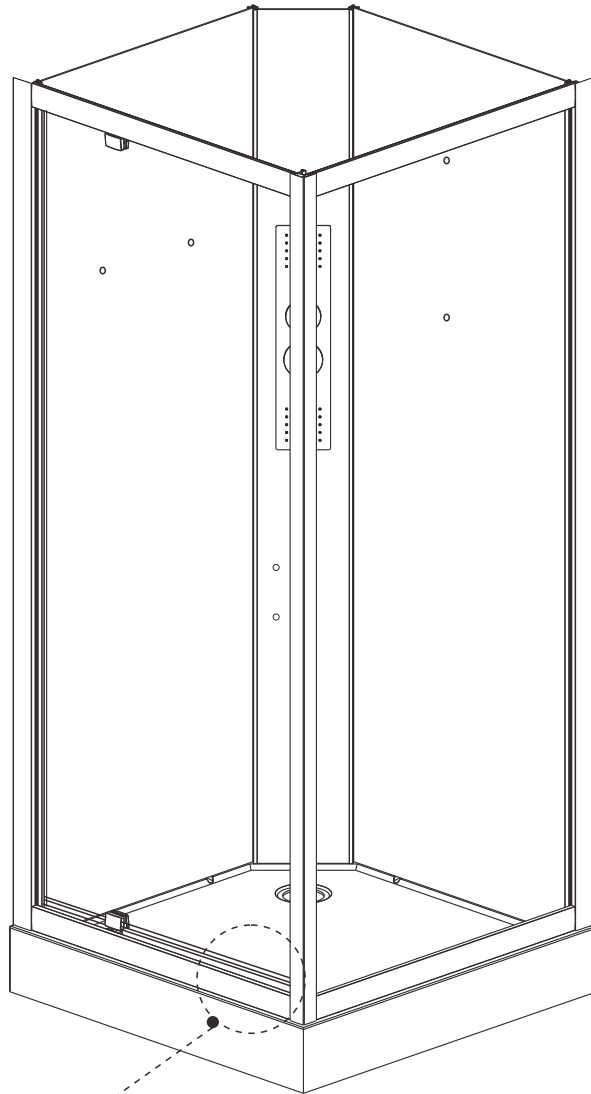
A2

14

H1



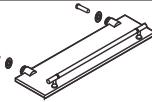
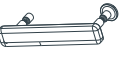

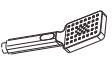




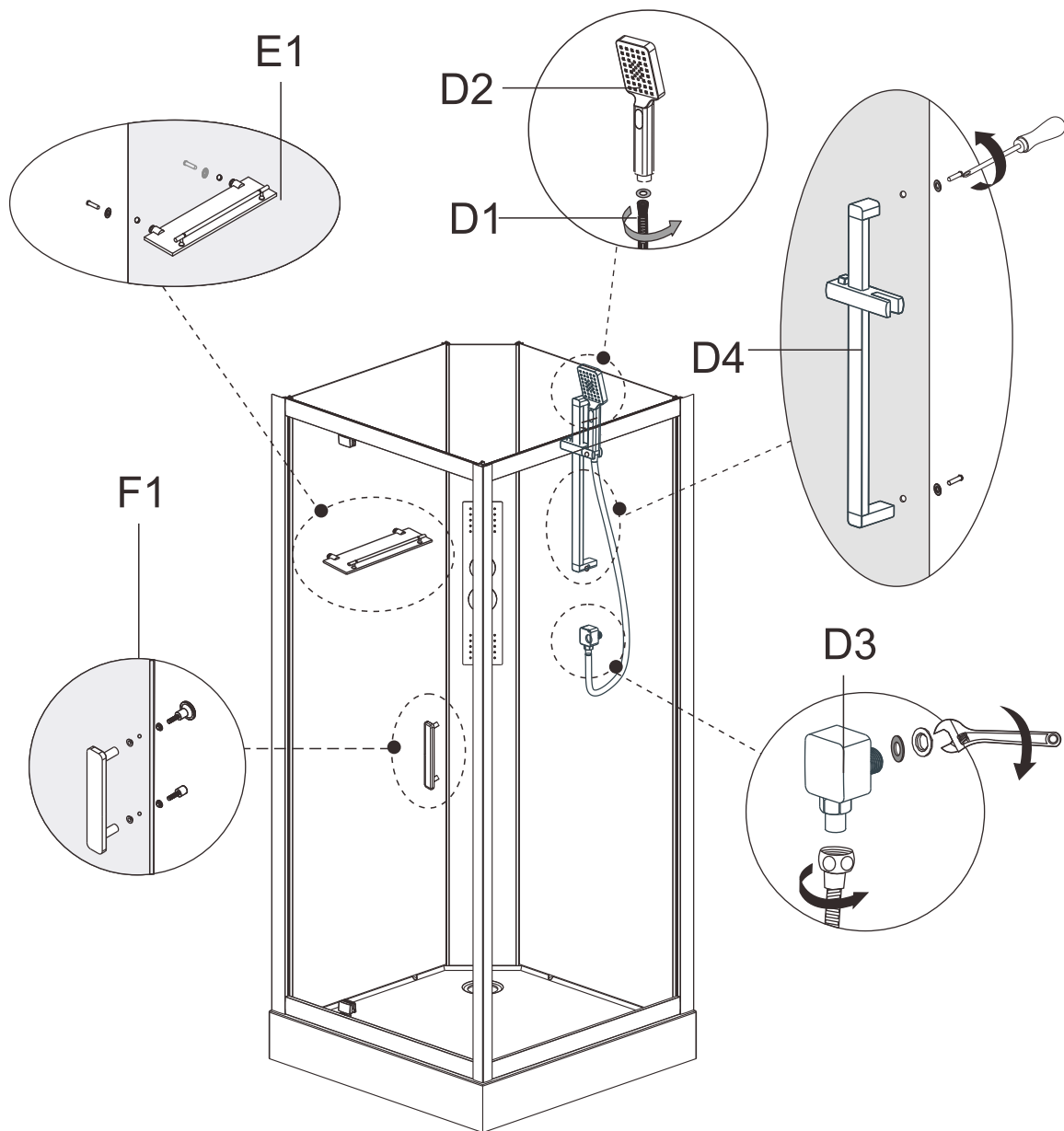
x1





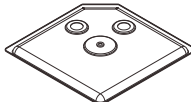

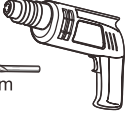

H1

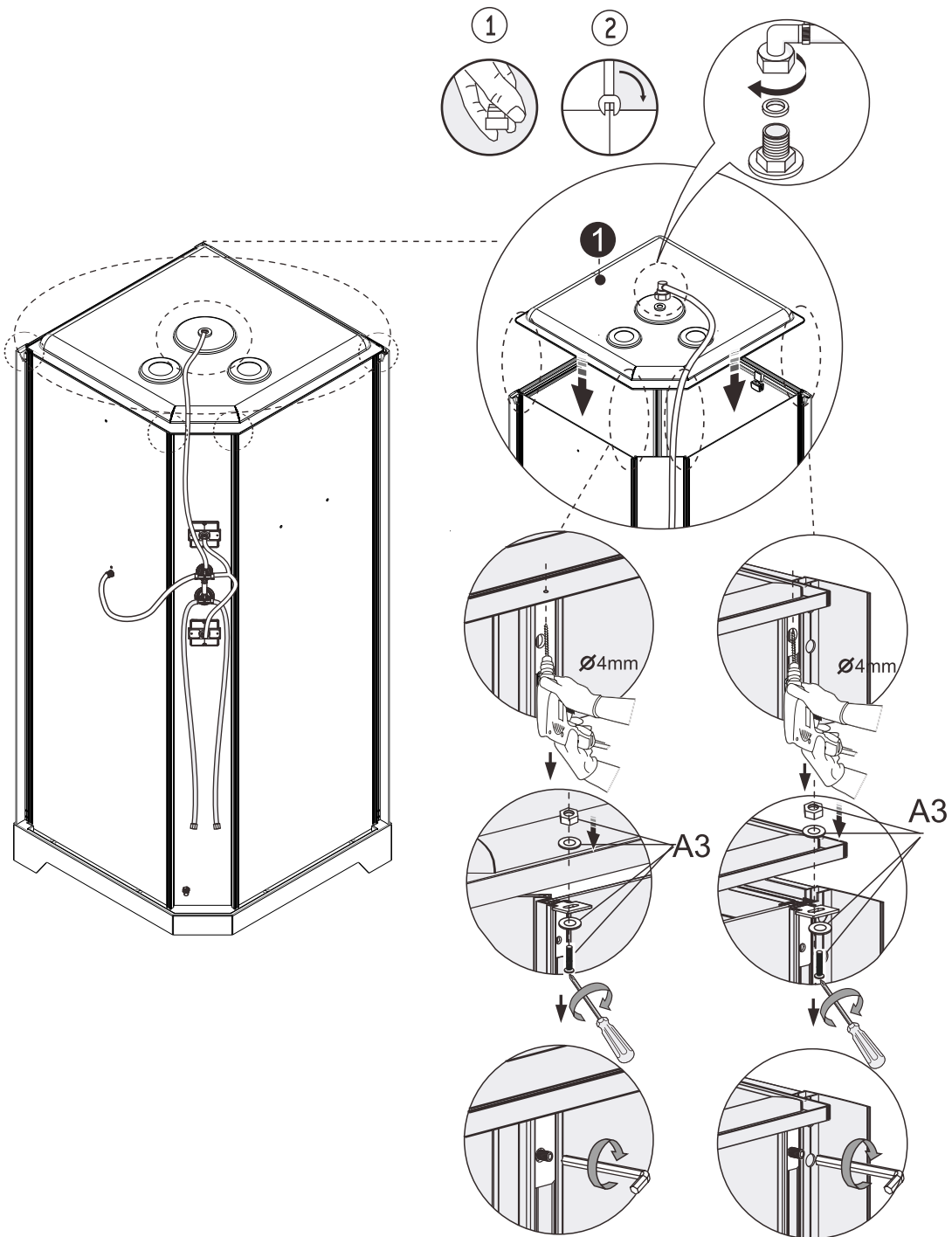
15

	D1  x1	E1  x1	F1  x1
	D2  x1	D3  x1	D4  x1







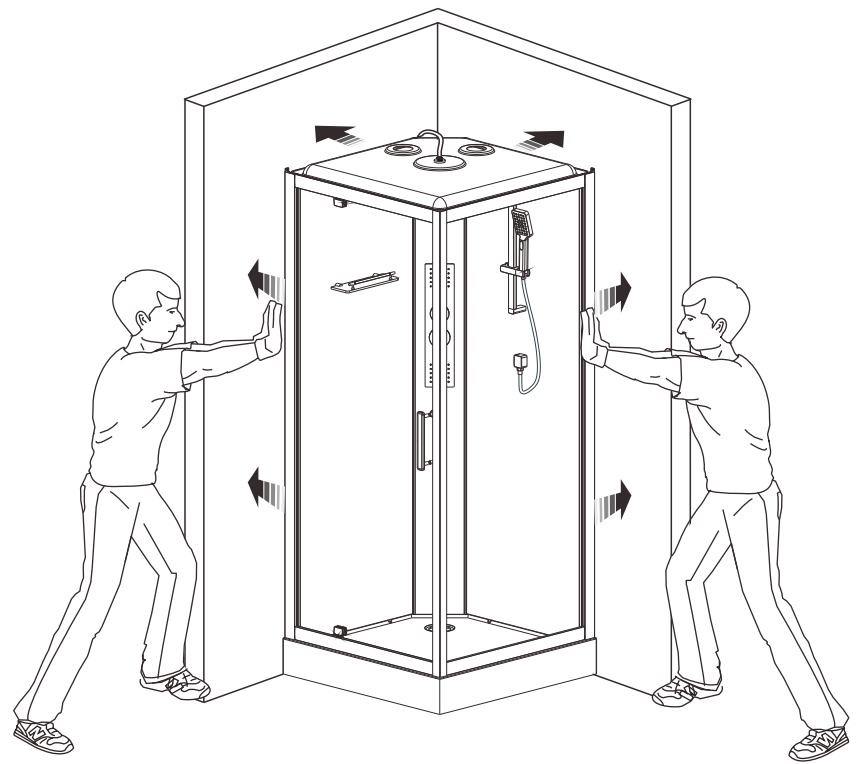
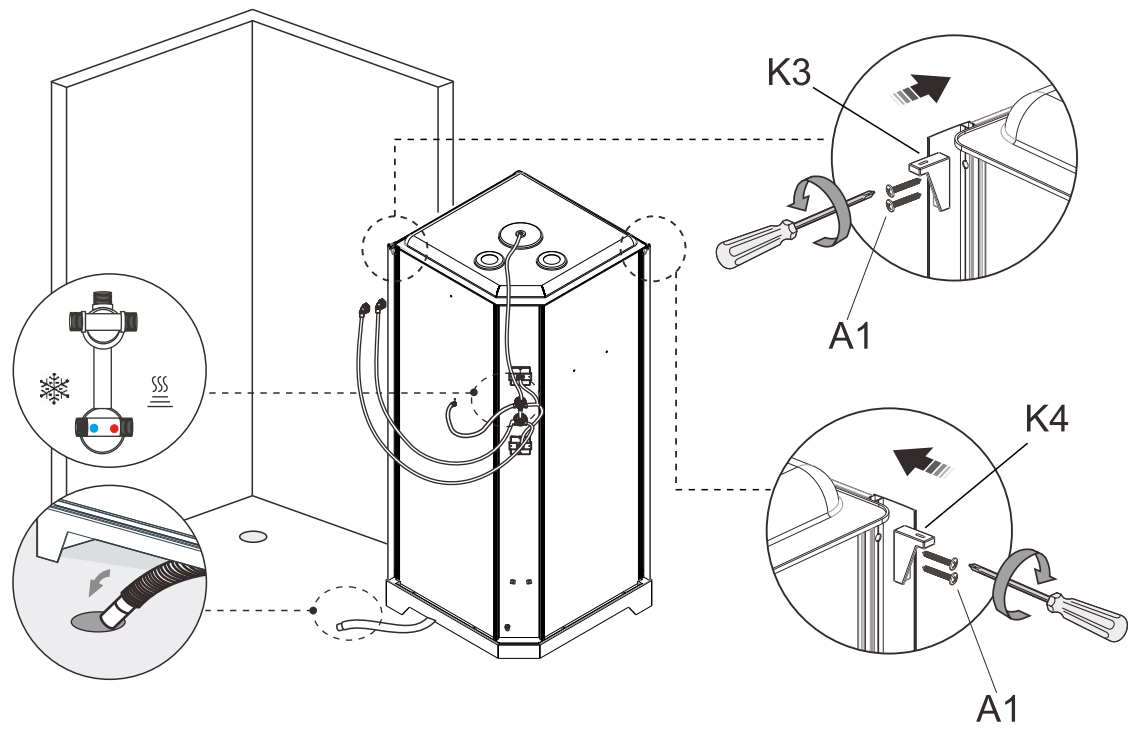
16

	J  x1	1  x1
 $\varnothing 4\text{mm}$		A3  M4x16mm x4


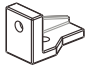


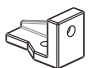


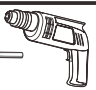




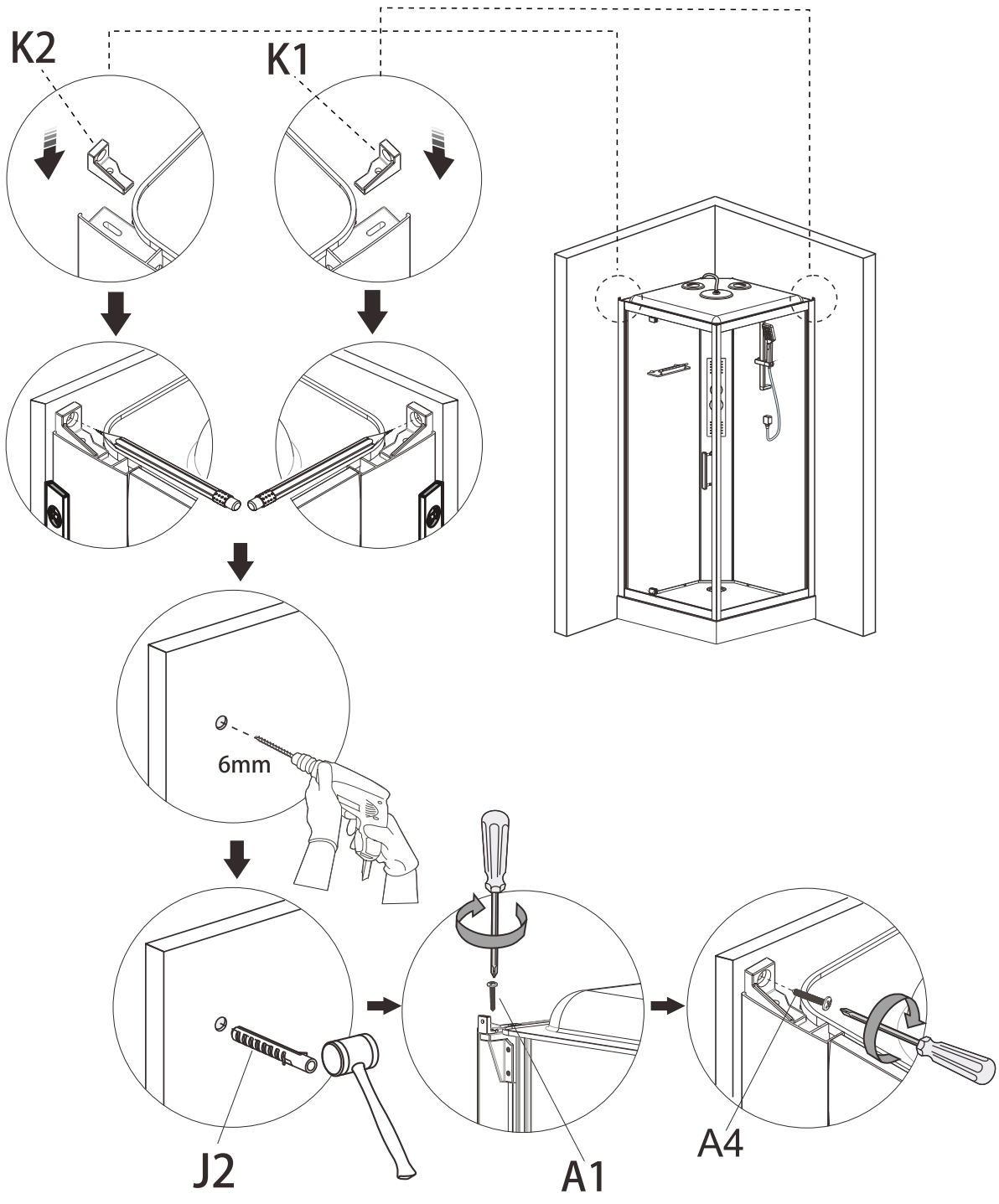
17

A1	 ST4X12mm	x4	K3		x1
			K4		x1



18

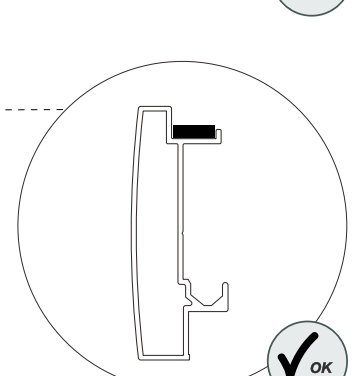
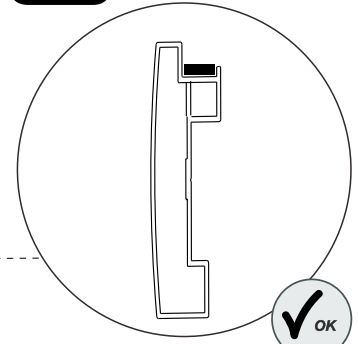
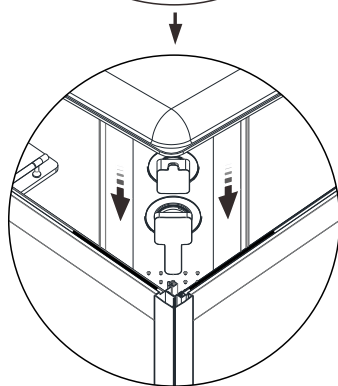
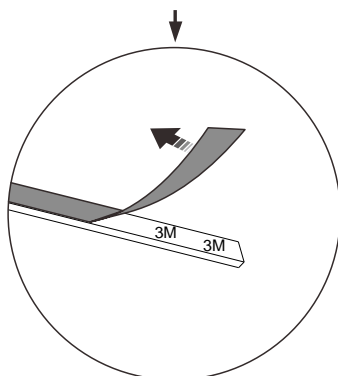
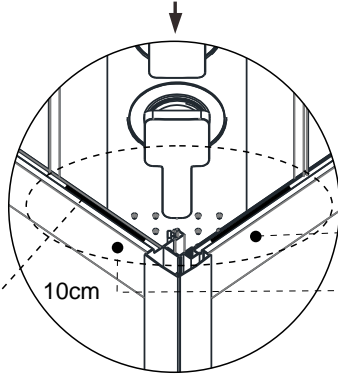
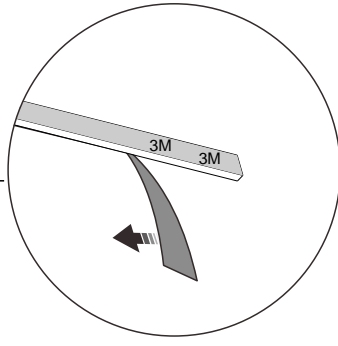
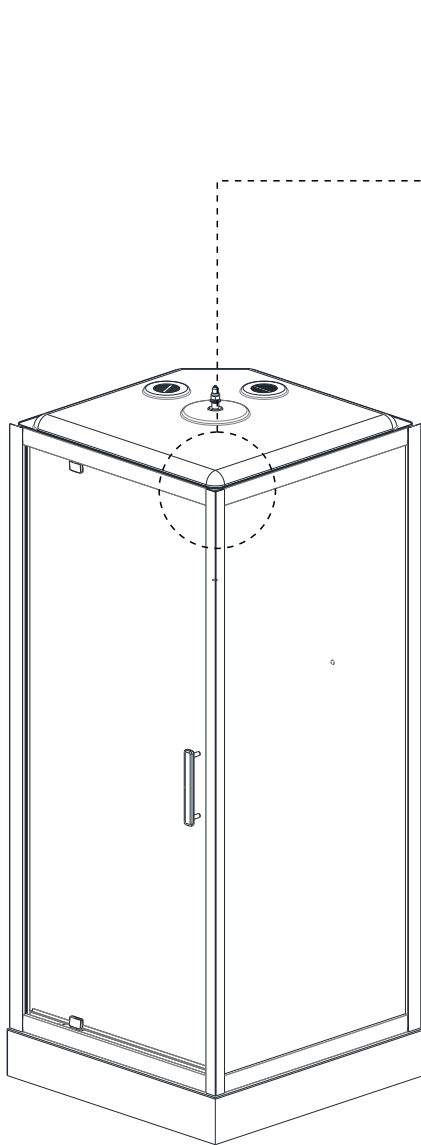
	K1  x1	J2  x2
	K2  x1	A4  ST4x30mm x2
 $\Phi 6mm$ 		A1  ST4x12mm x2



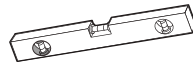
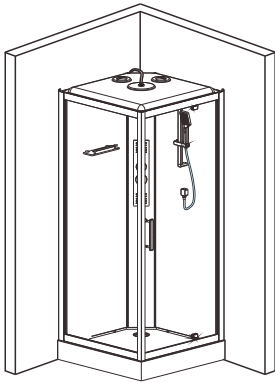
L



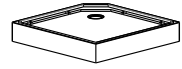
x2



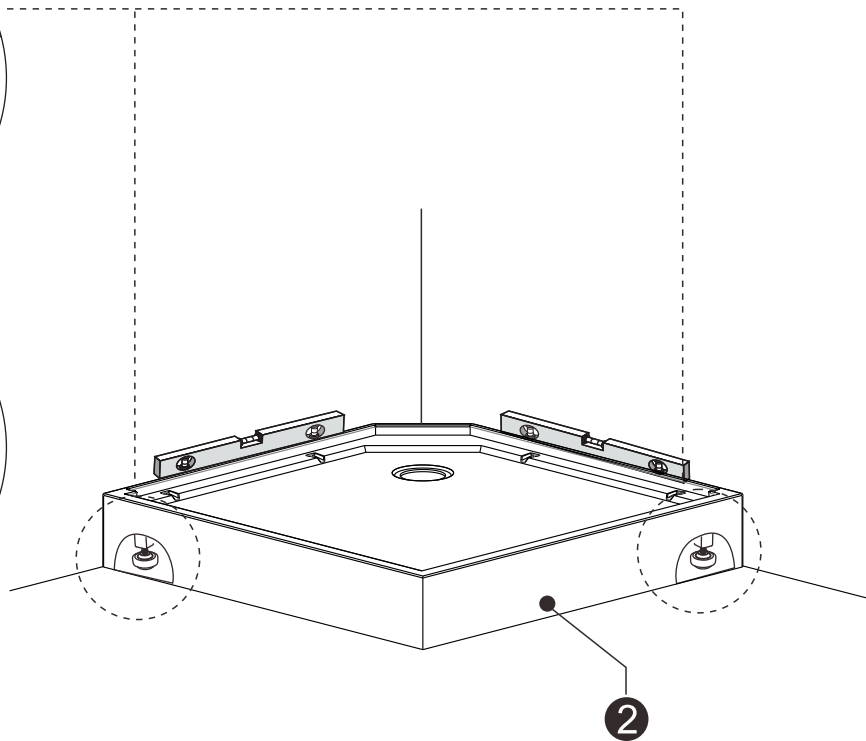
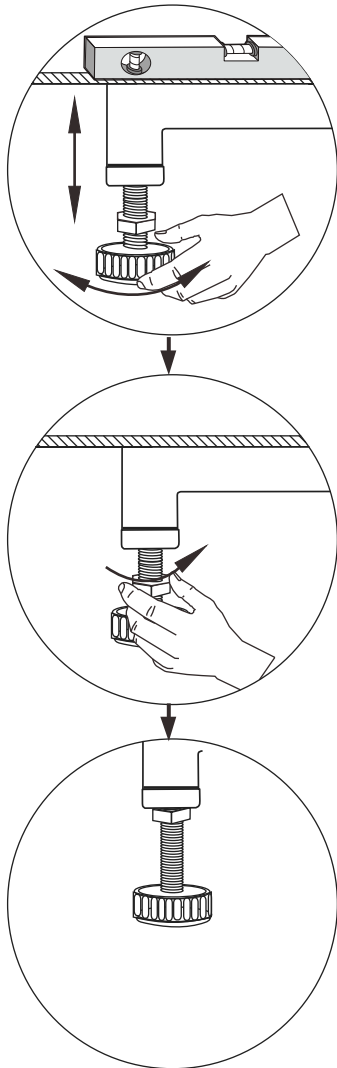
20



2

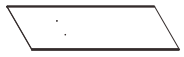


x1

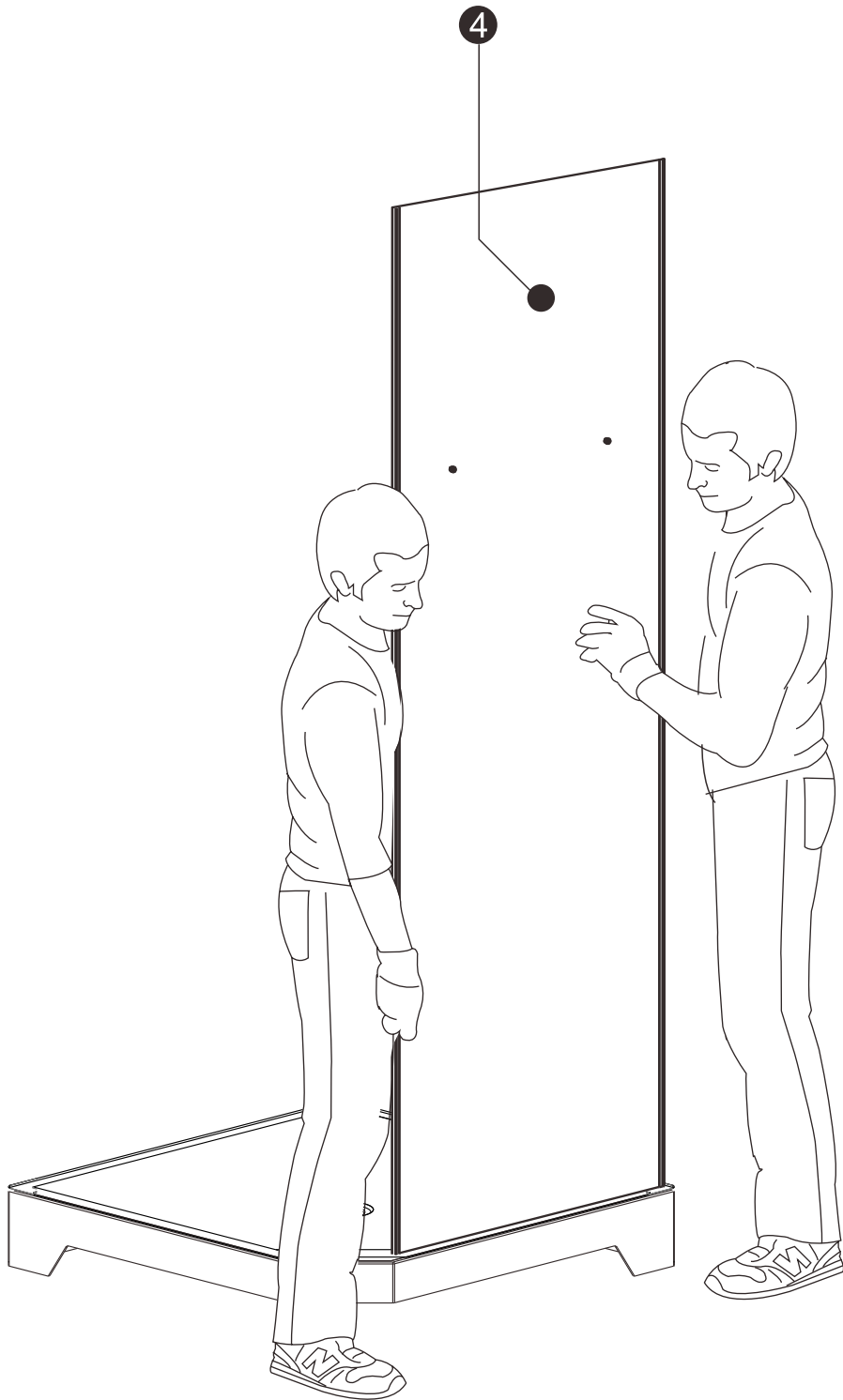


21

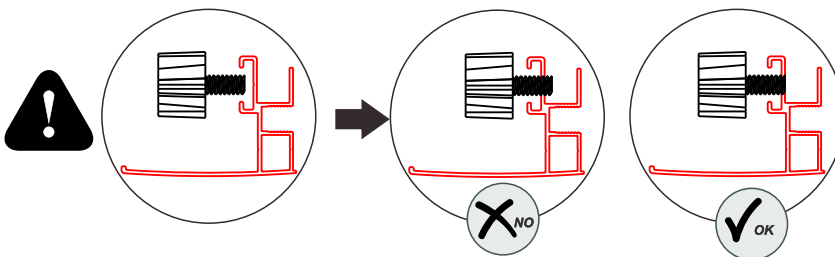
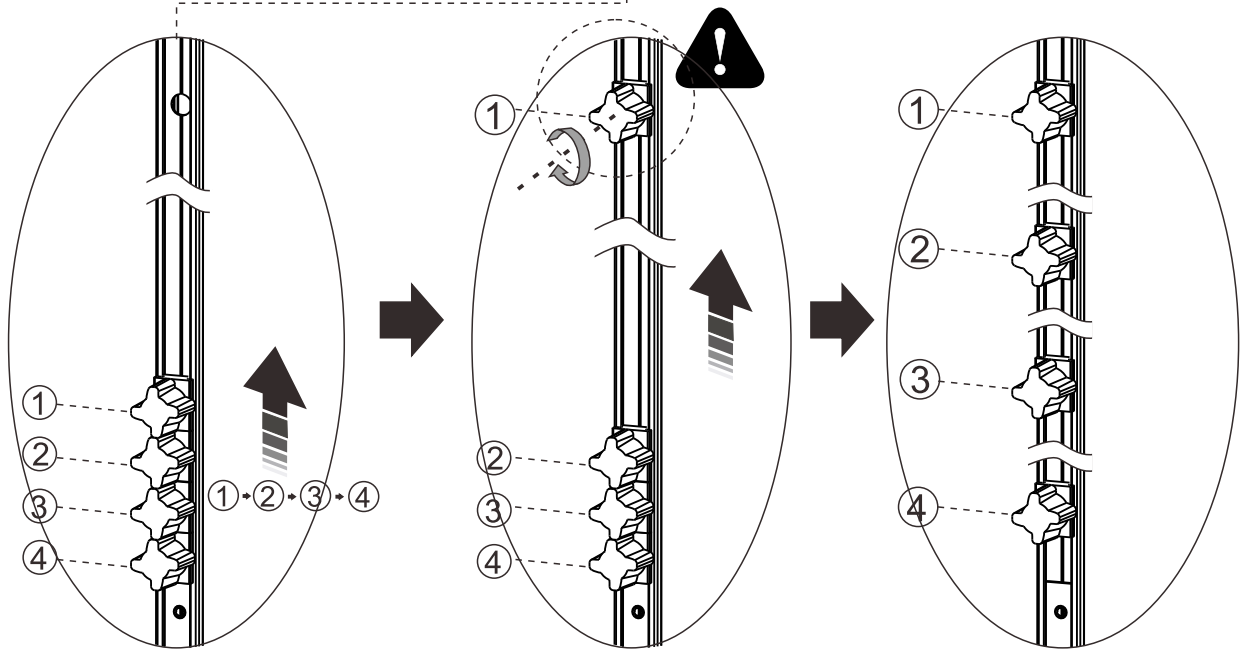
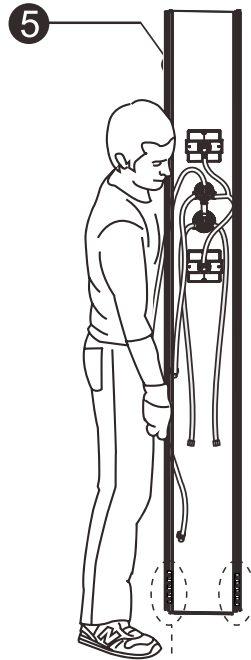
4

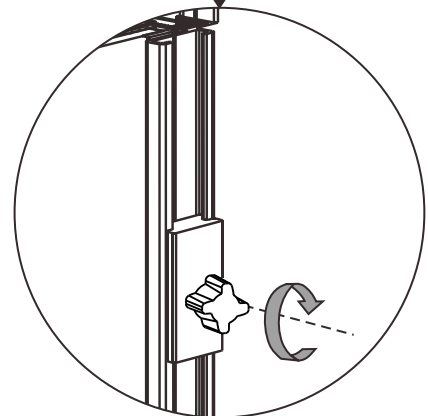
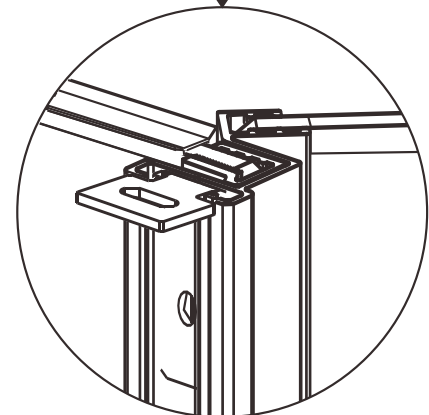
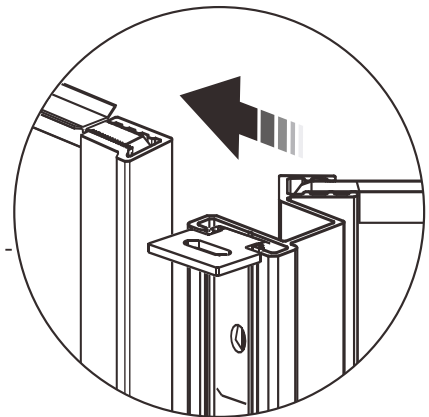
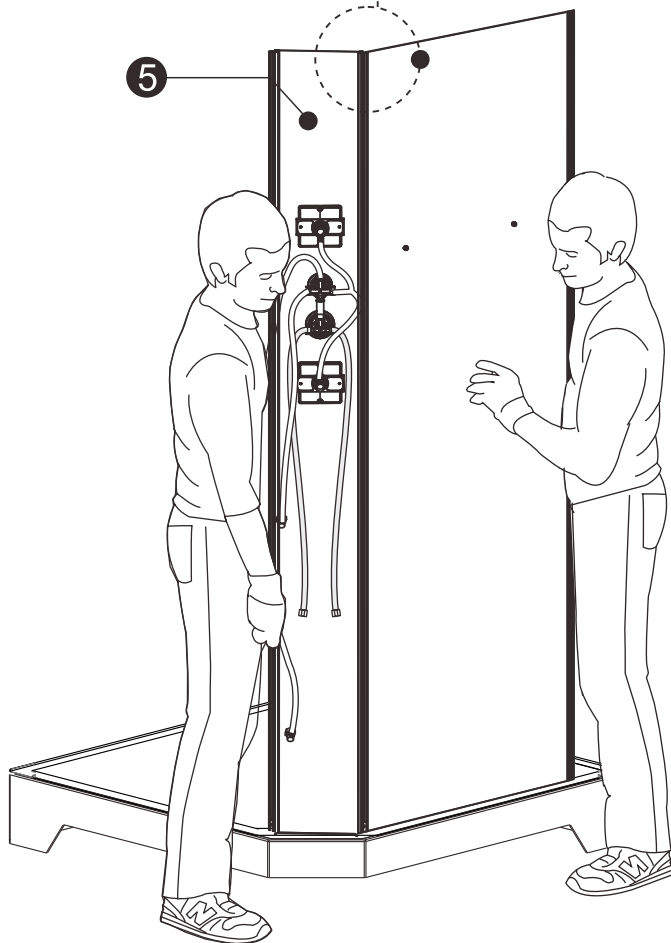
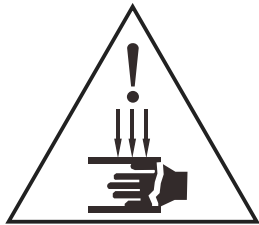


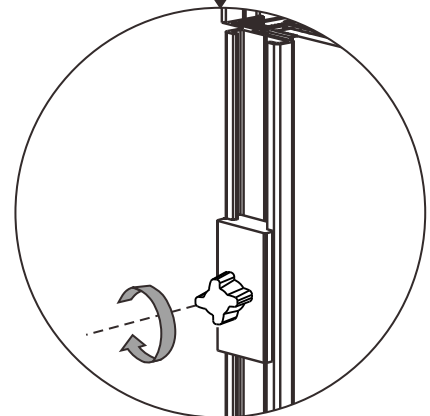
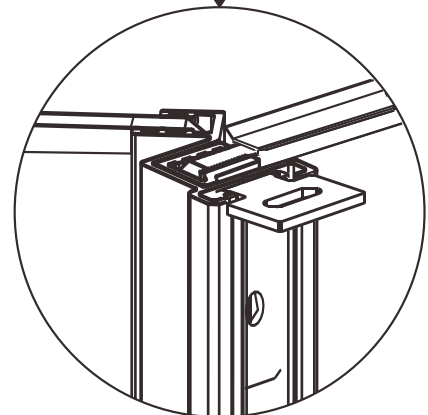
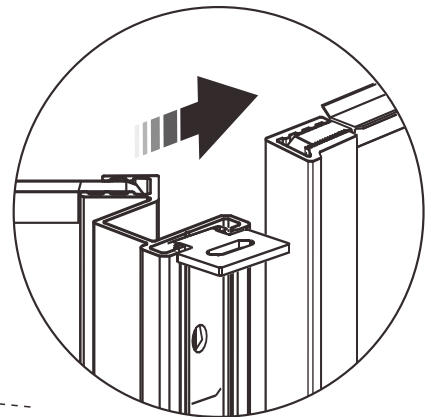
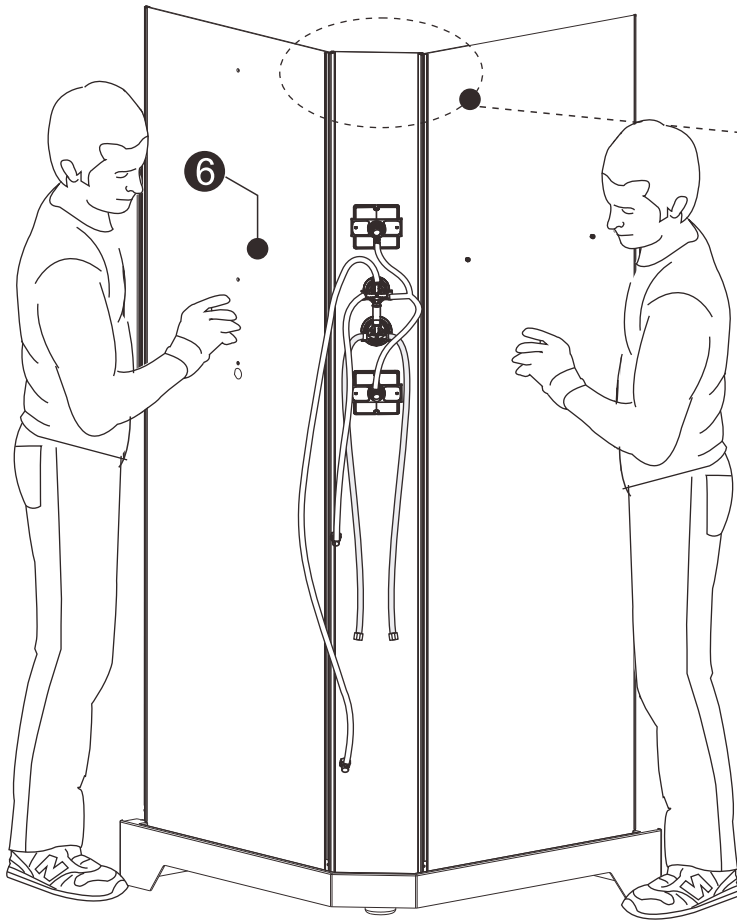
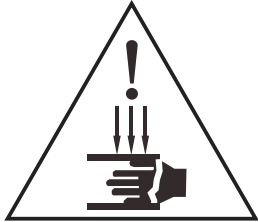
x1

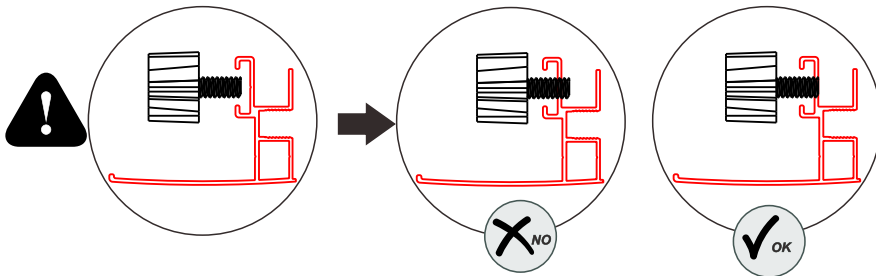
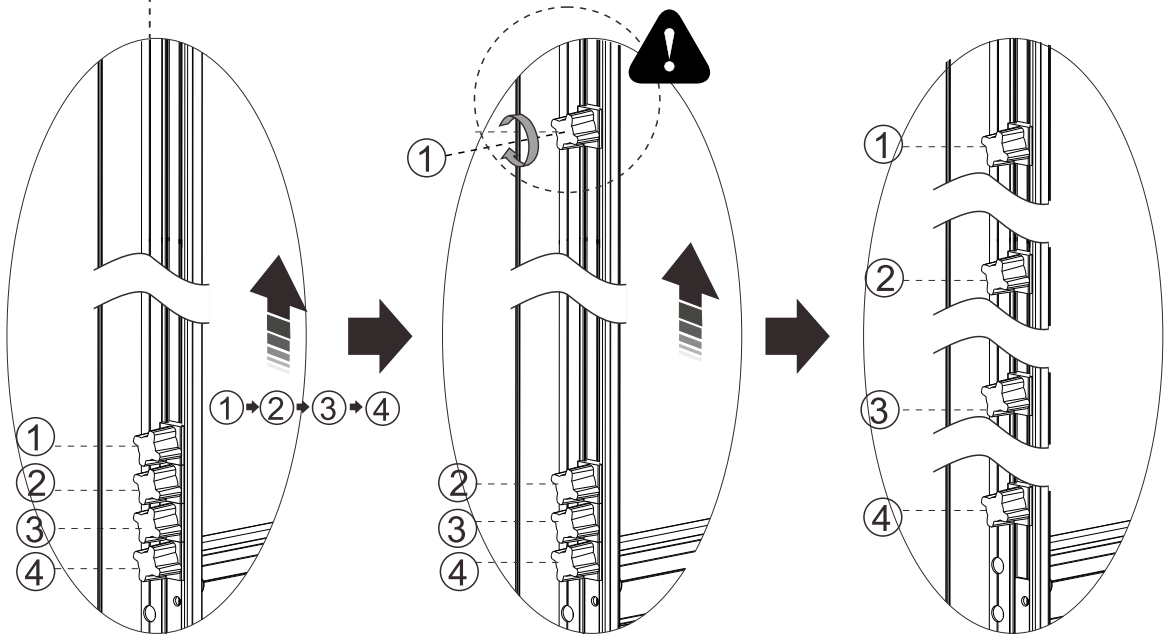
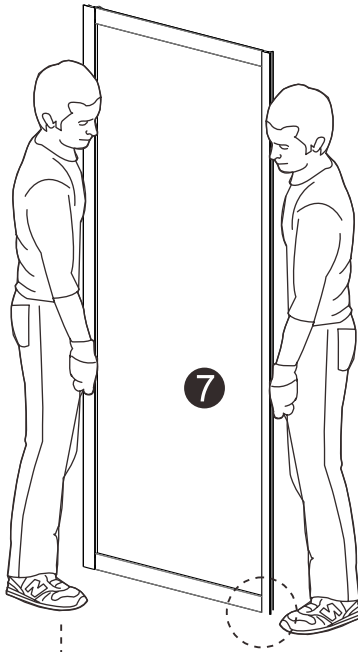


25





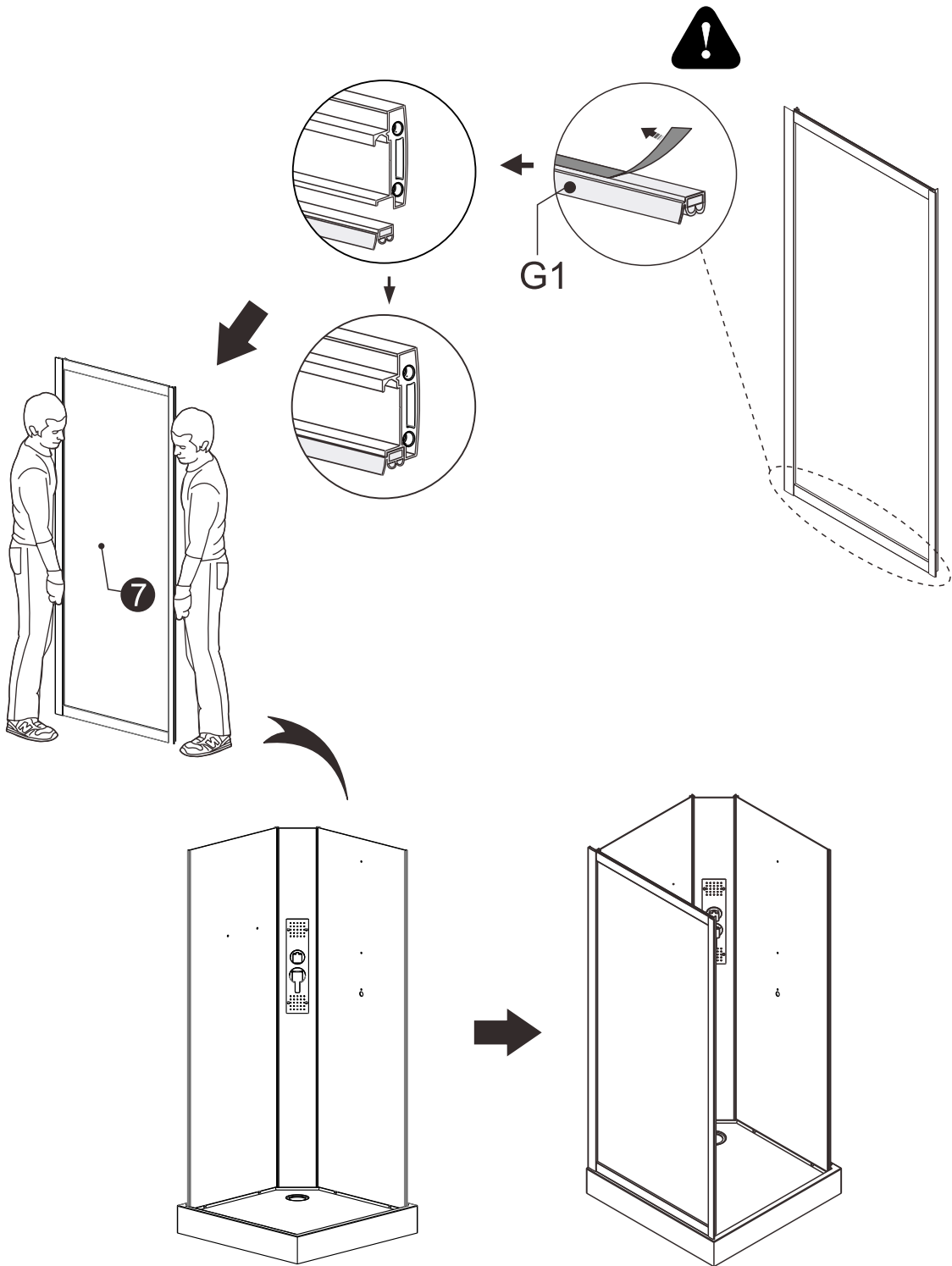


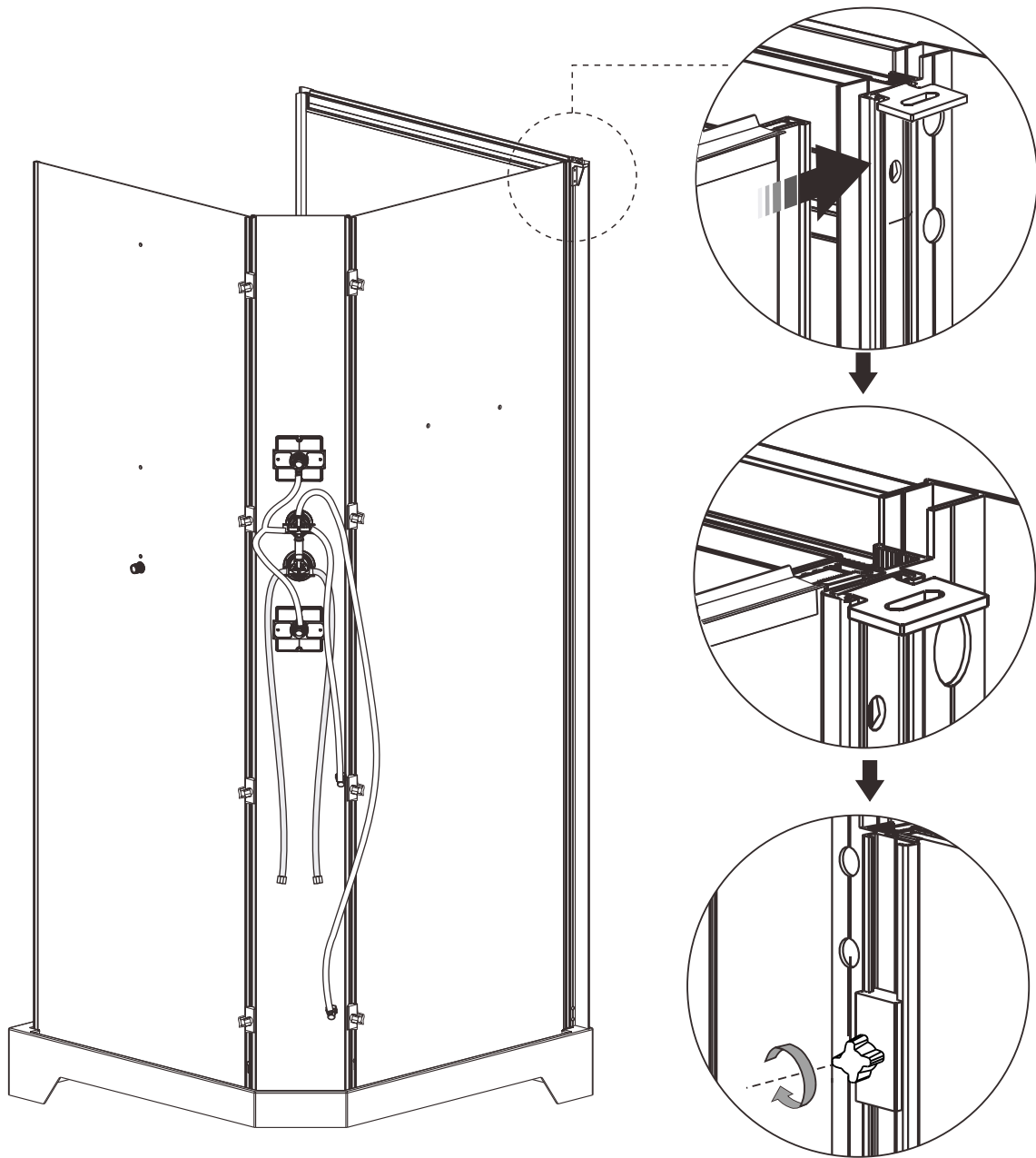


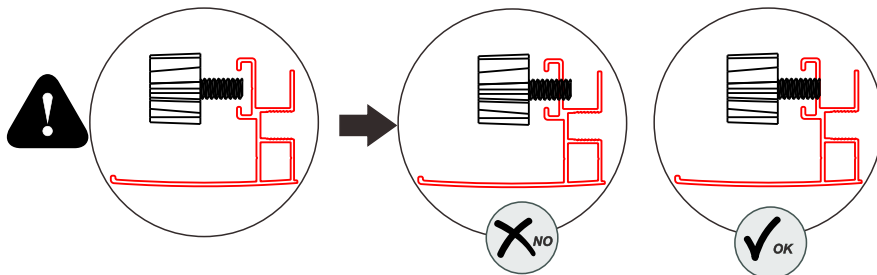
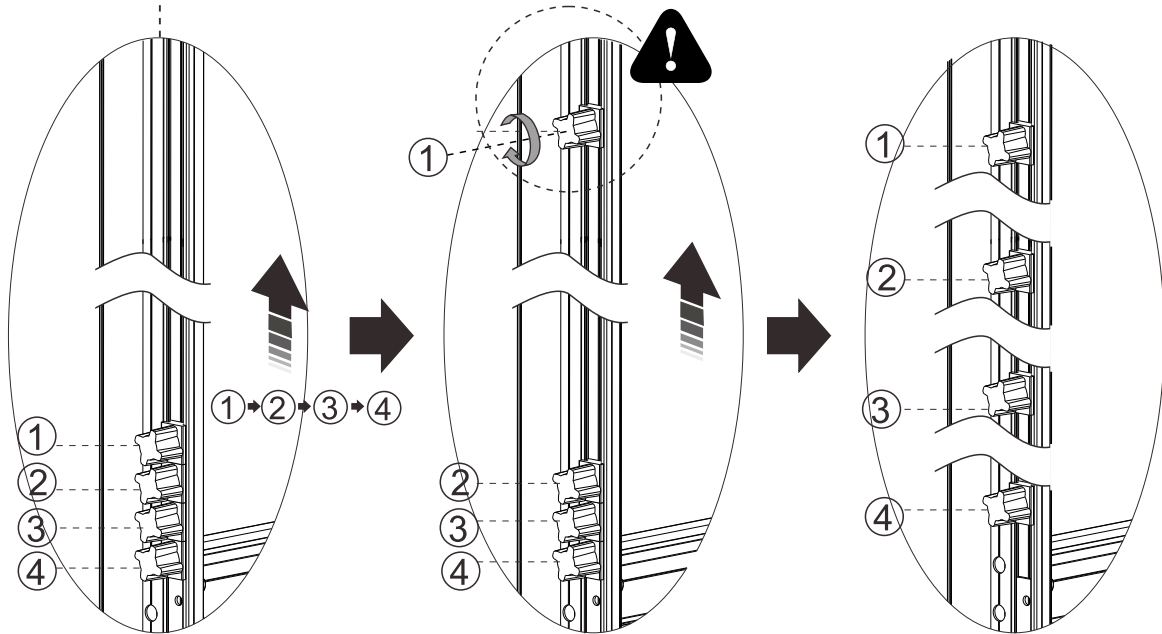
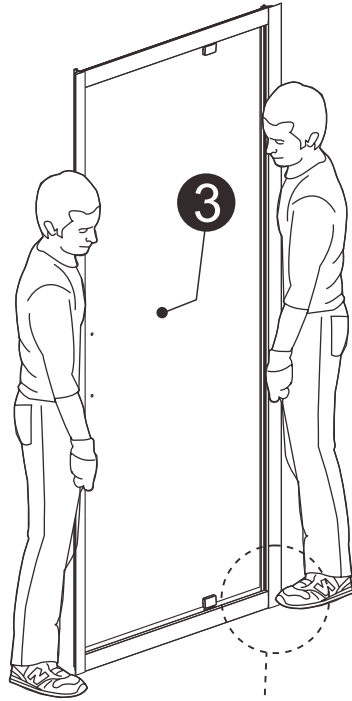
G1

791mm

x1



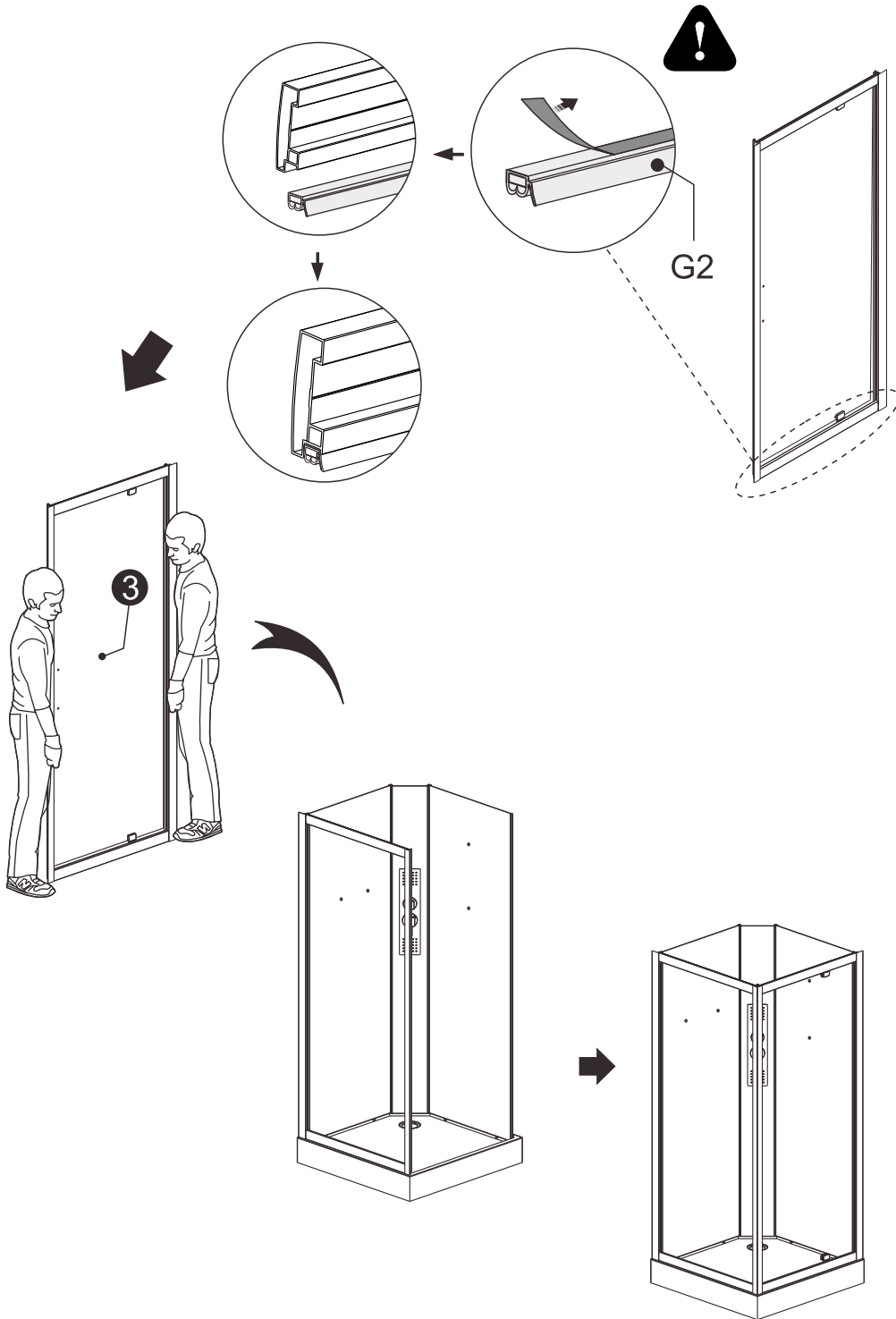


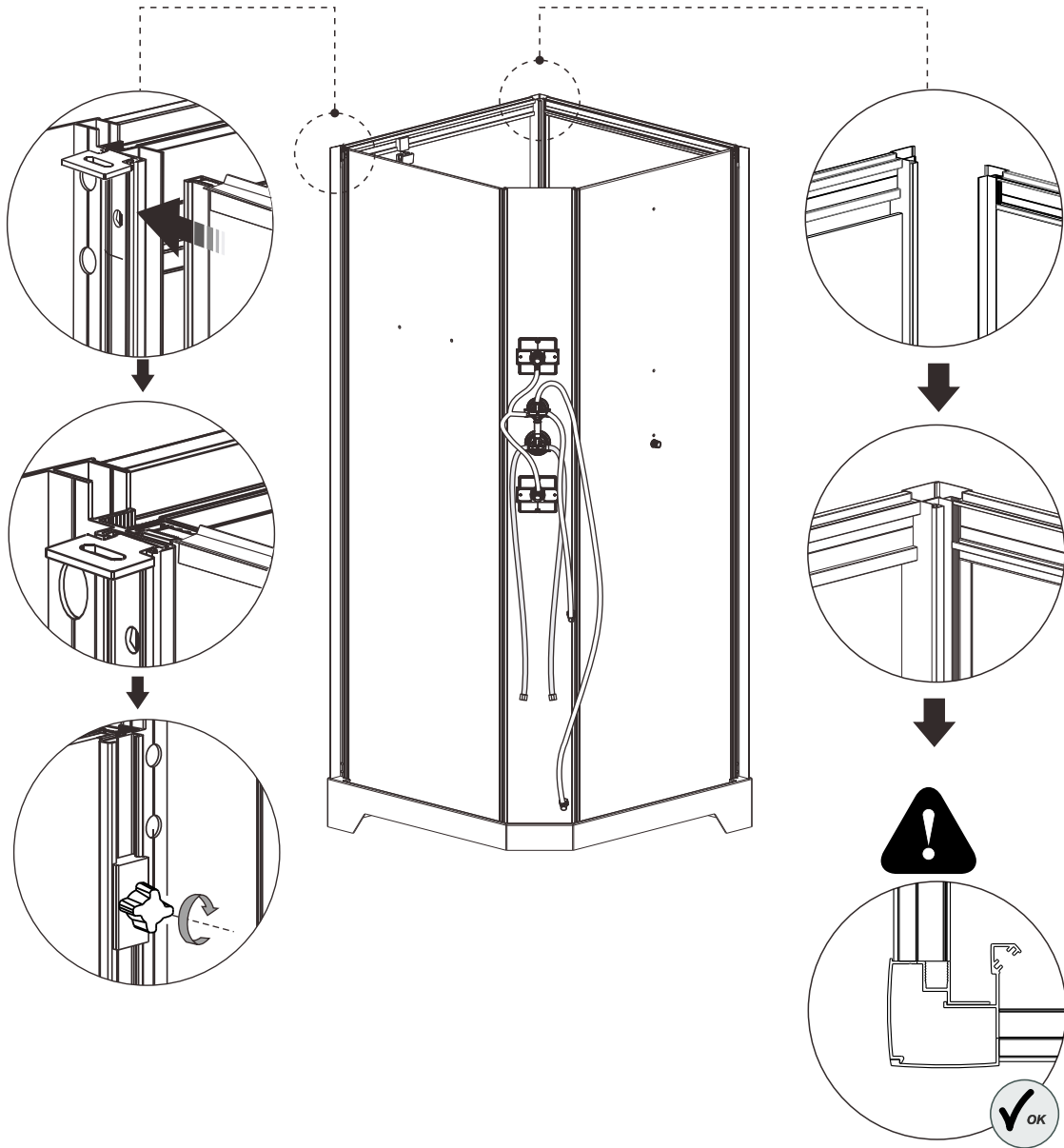


G2

793mm

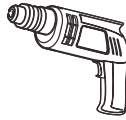
x1





31

Φ 3.2mm



A1



ST4x12mm

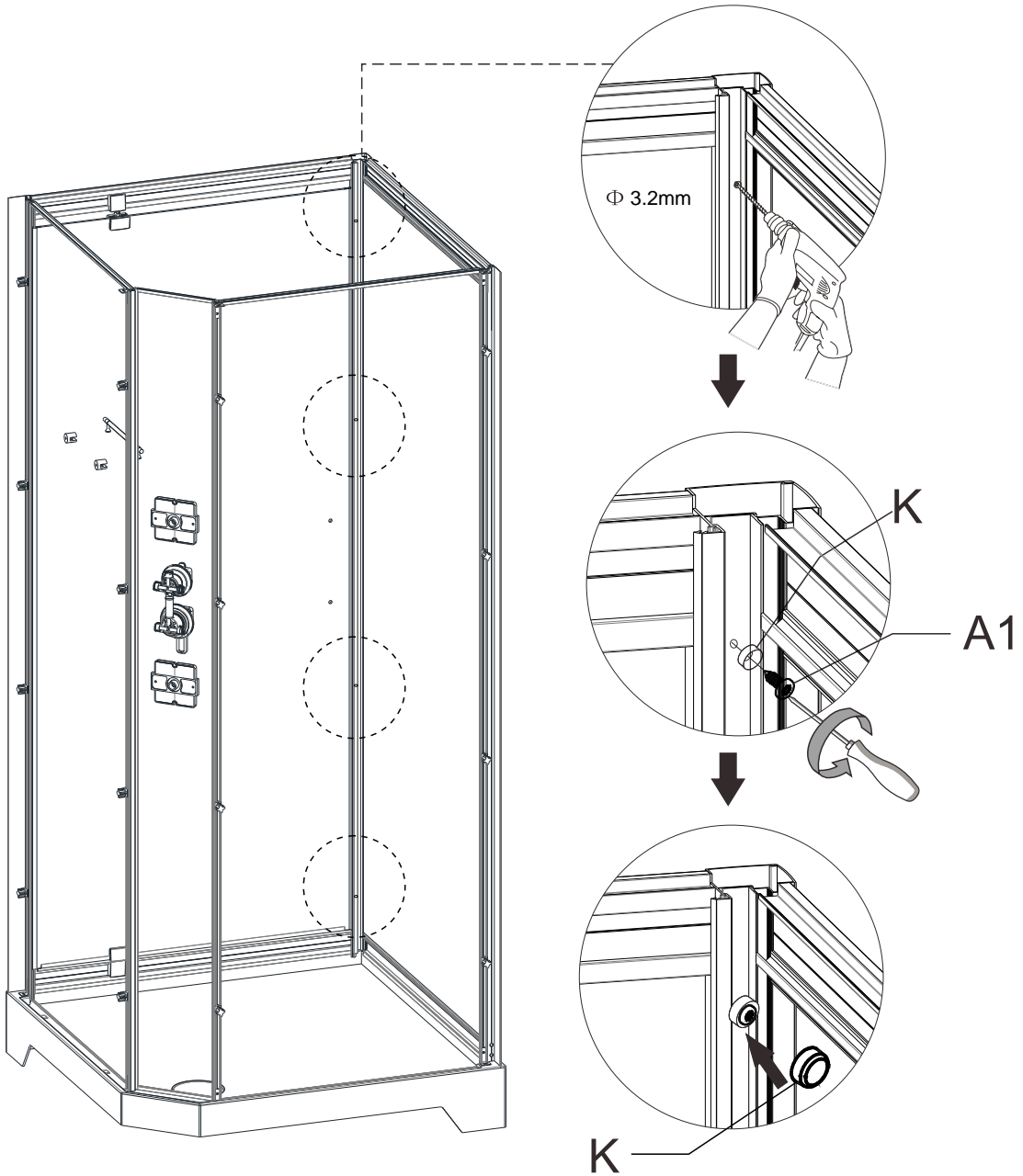
x4



K



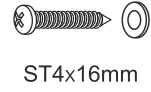
x4



32



A2

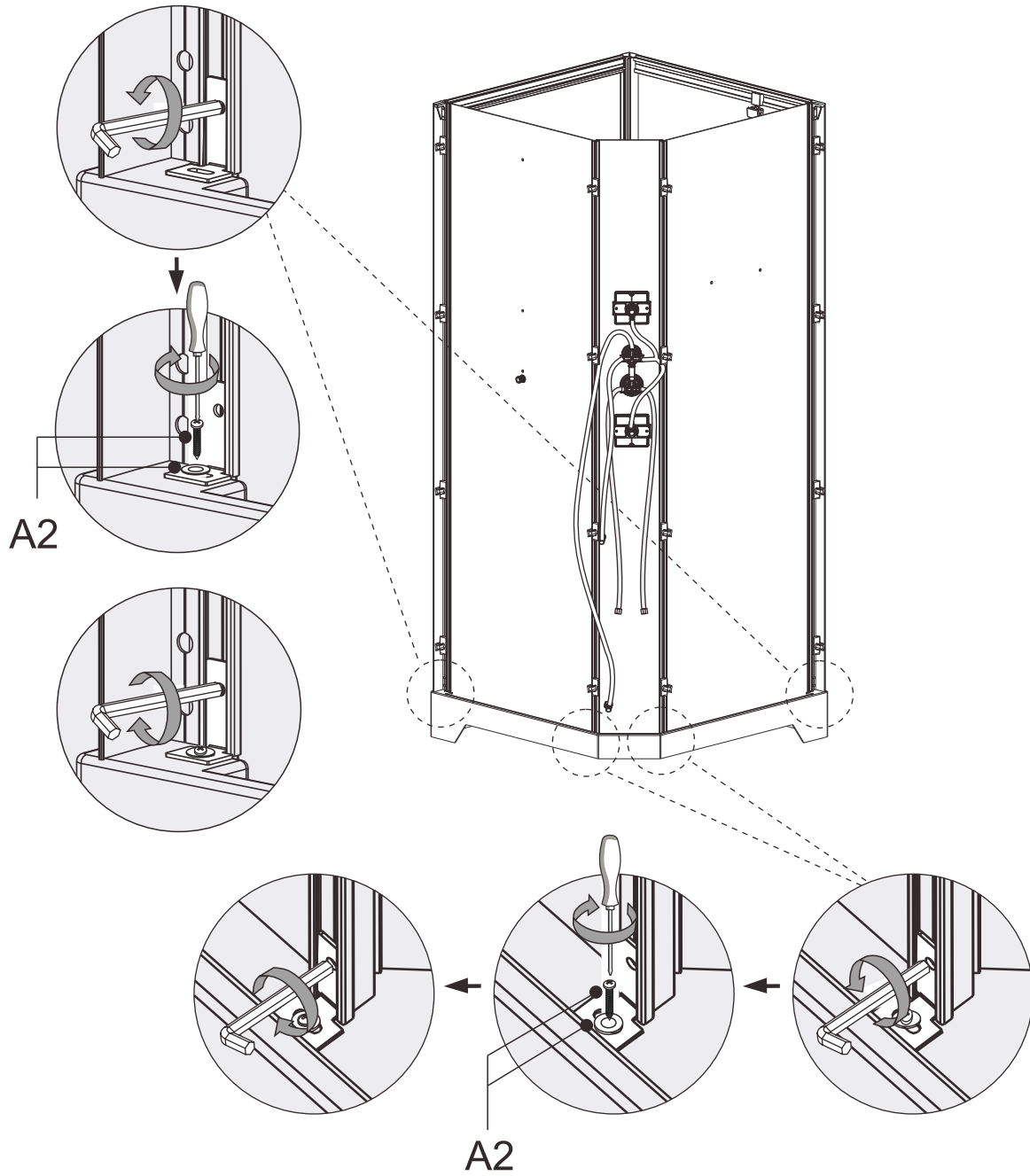


x4

J



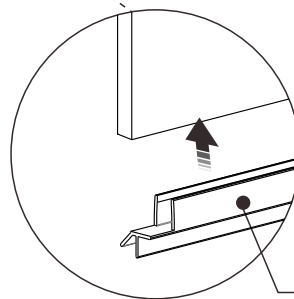
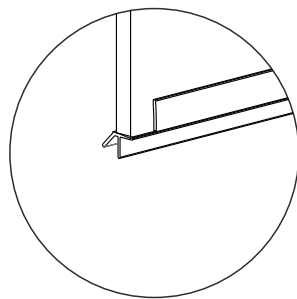
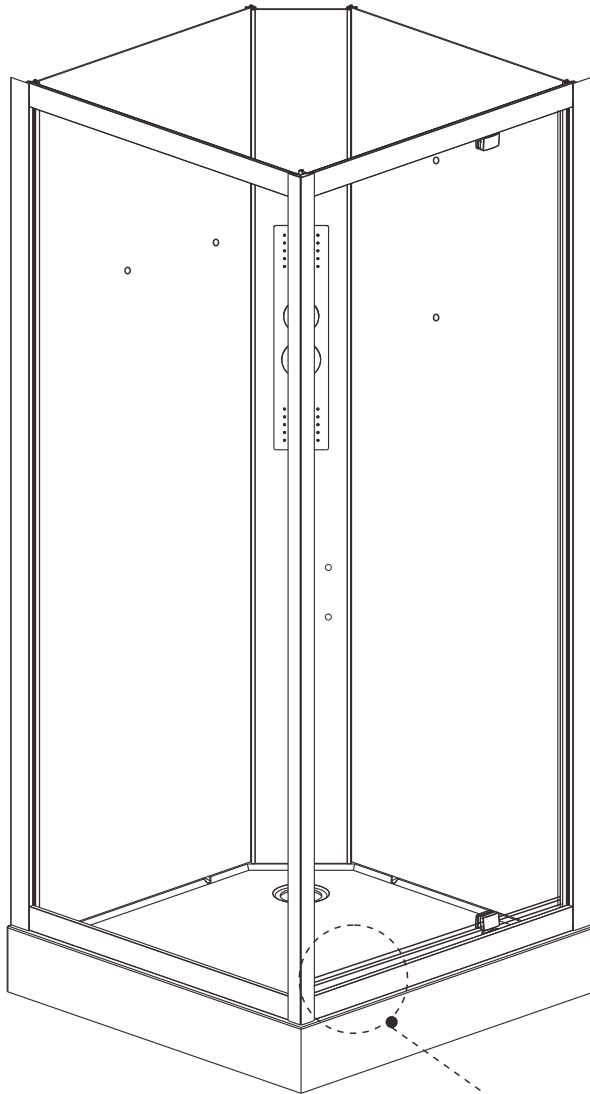
x1



H1

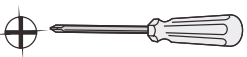

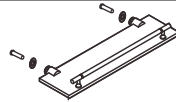


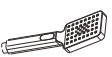




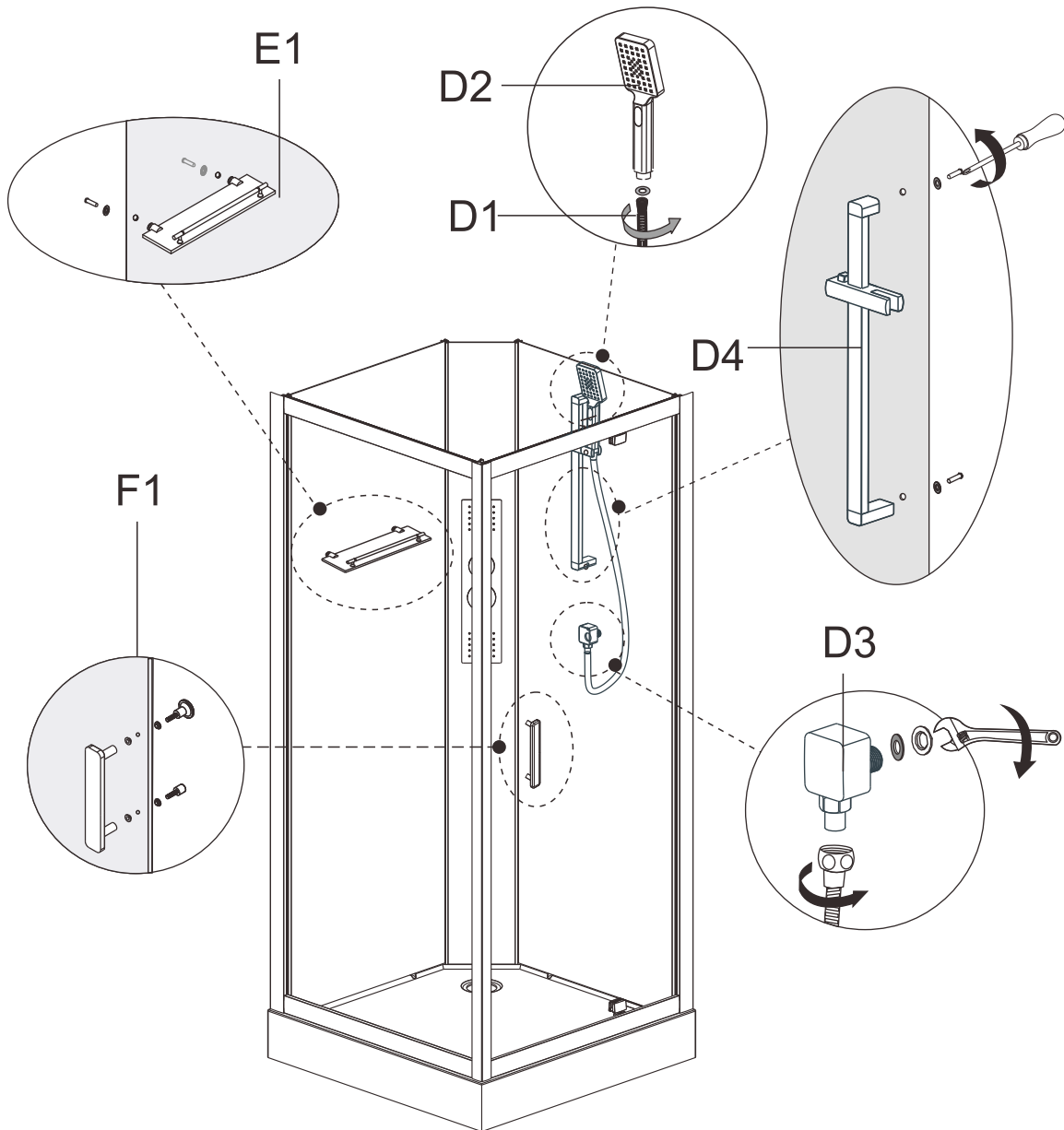
x1



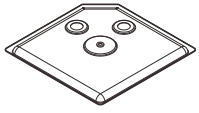

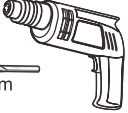



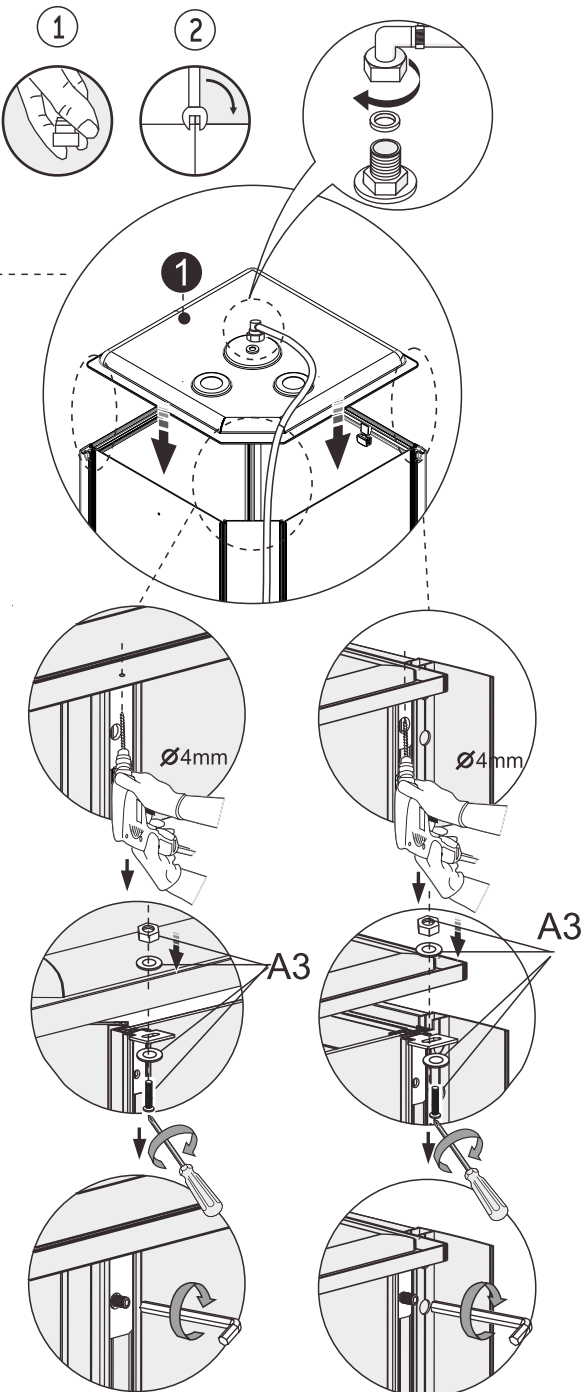
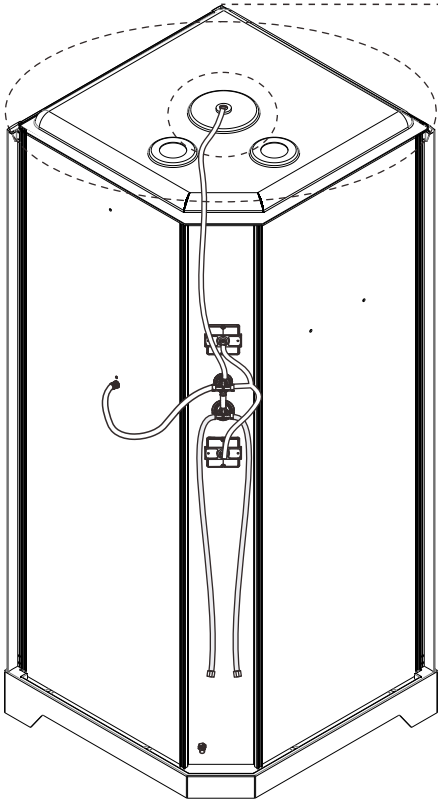
H1





34

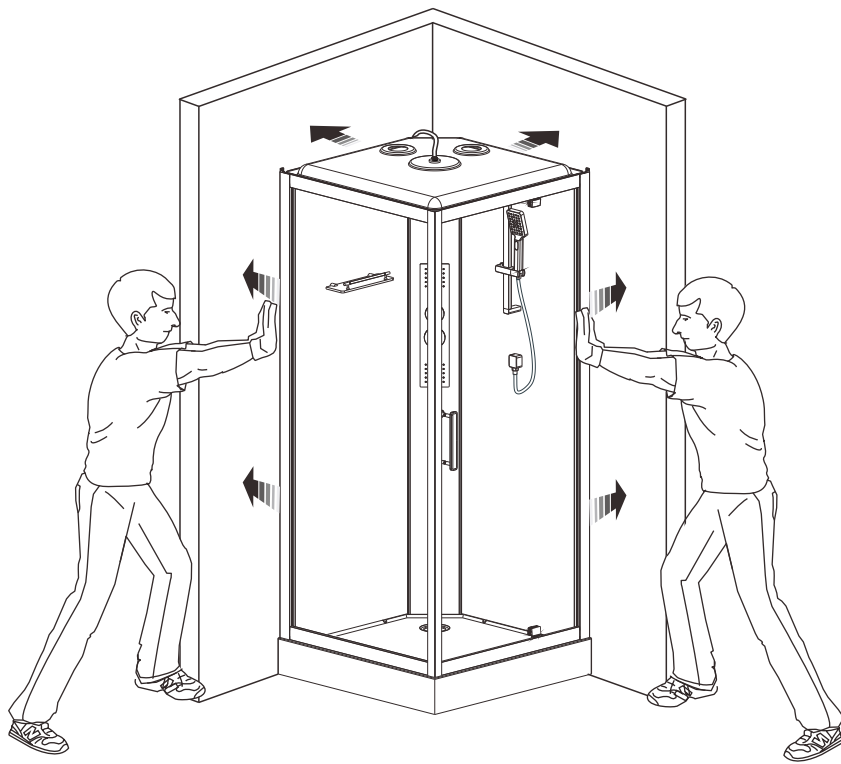
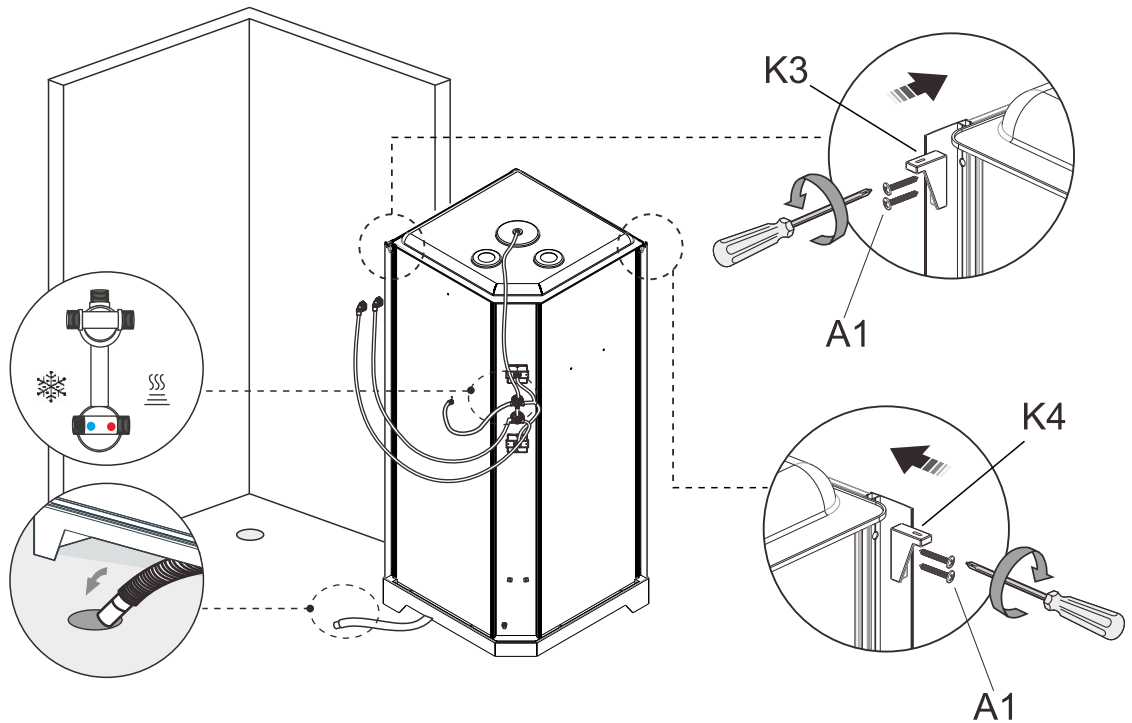
	D1  x1	E1  x1	F1  x1
	D2  x1	D3  x1	D4  x1




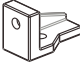


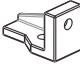


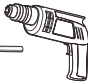


	J  x1	1  x1
 $\phi 4mm$		A3  M4x16mm x4

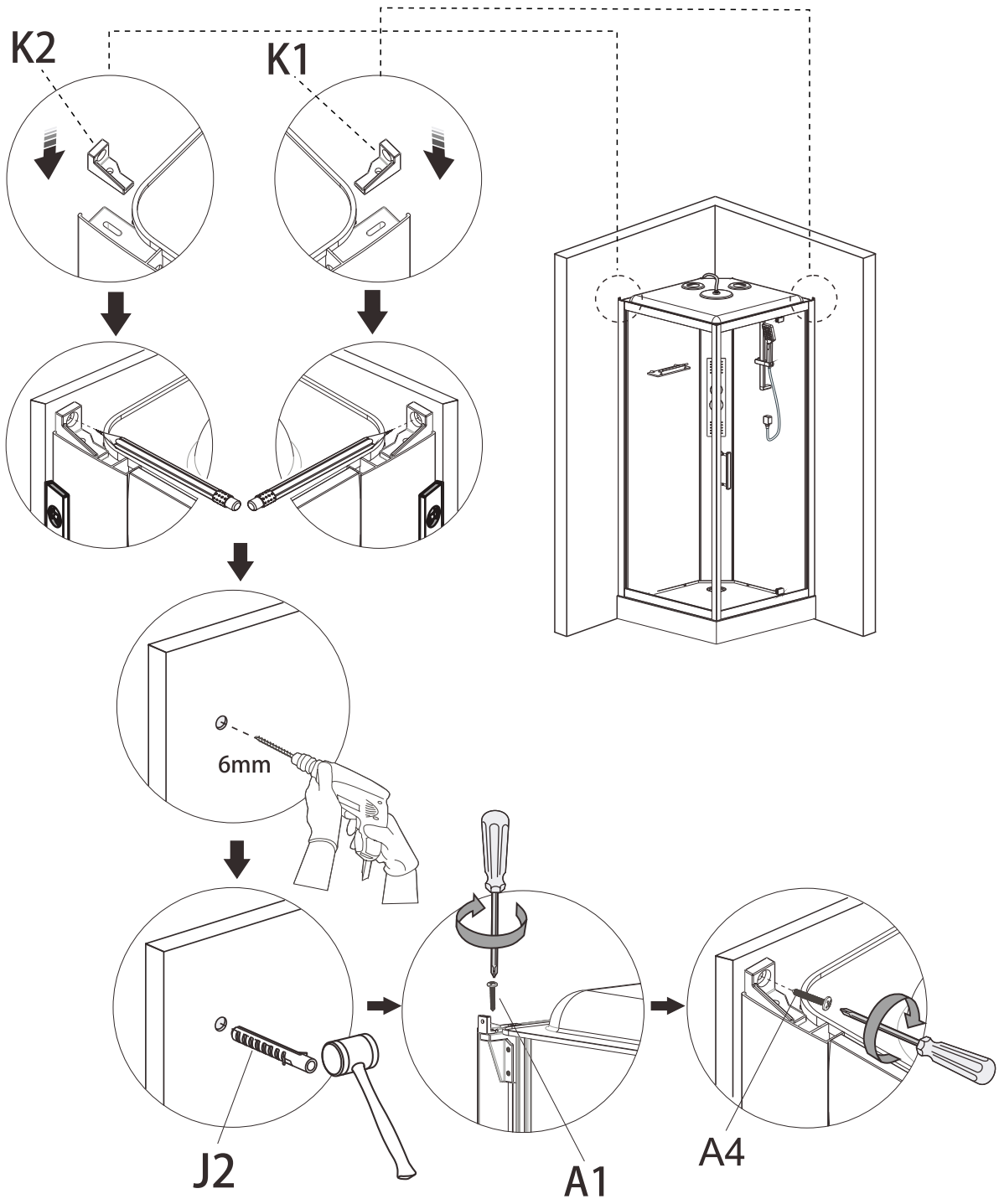


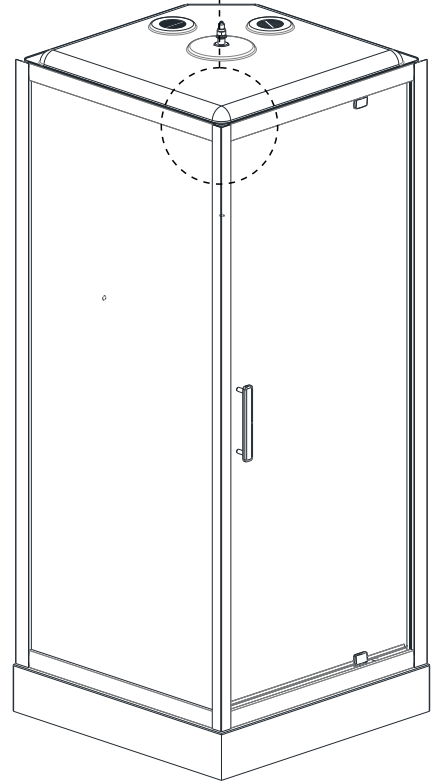
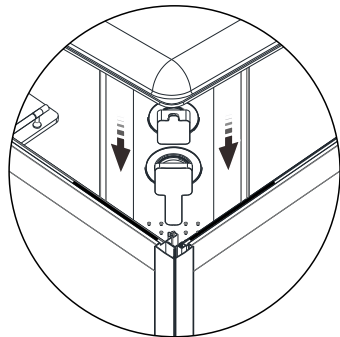
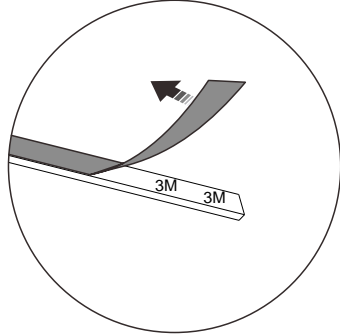
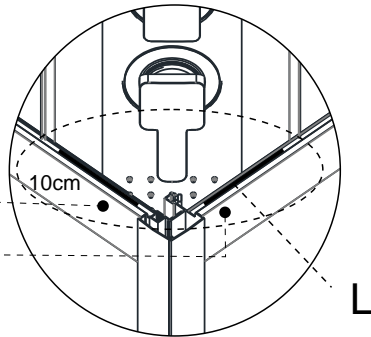
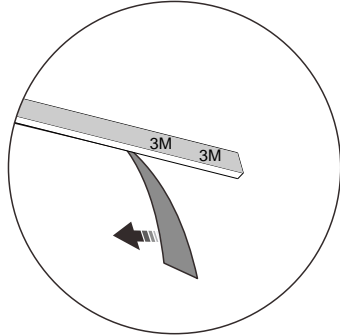
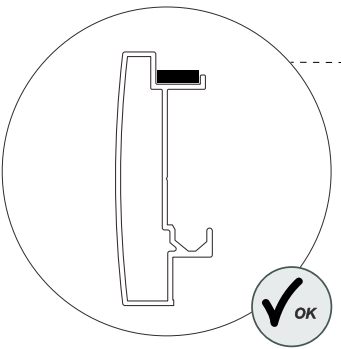
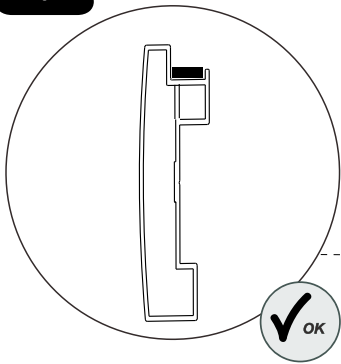
<p>A1  ST4X12mm x4</p>	<p>K3  x1</p>
<p></p>	<p>K4  x1</p>

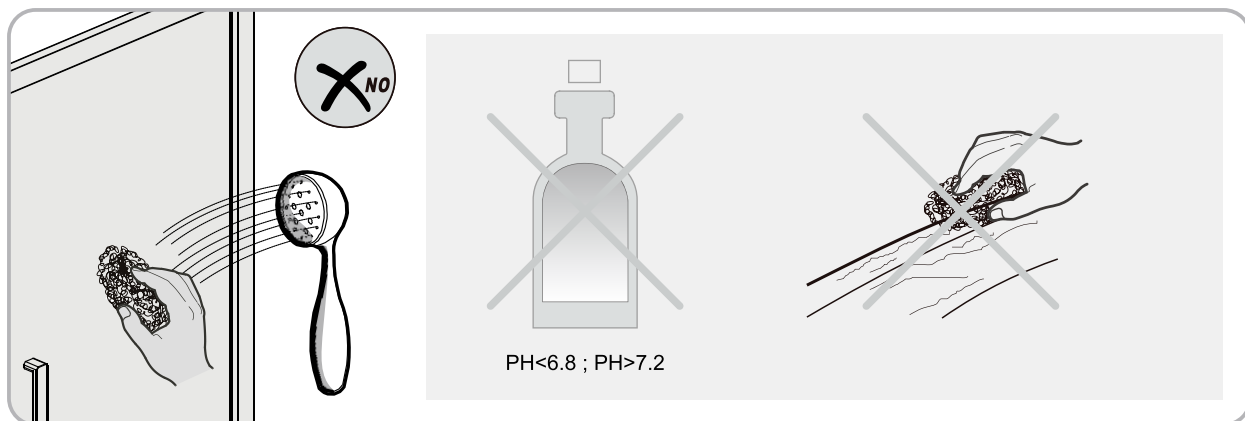
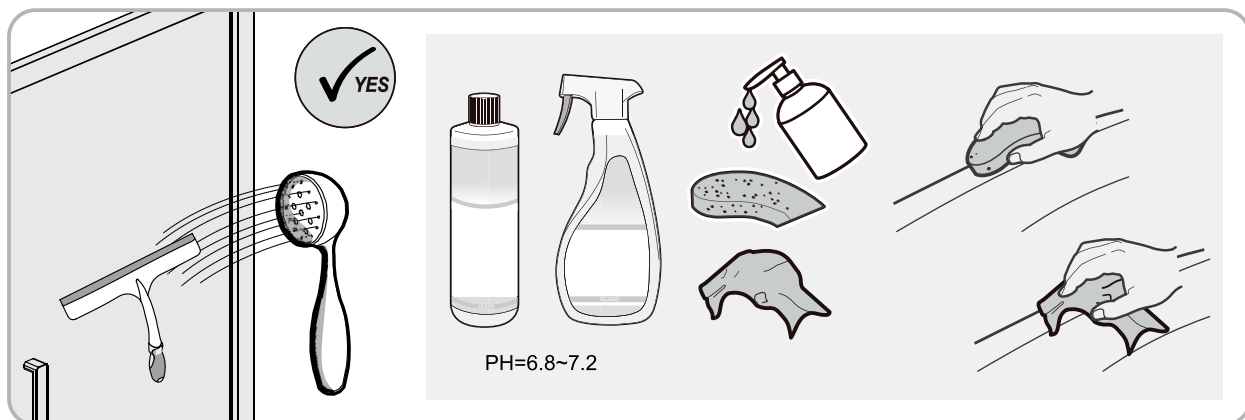


37

	K1  x1	J2  x2
	K2  x1	A4  ST4x30mm x2
 $\Phi 6mm$ 		A1  ST4x12mm x2







CONDITIONS DE GARANTIE : Reportez-vous au livret de garantie Lapeyre, disponible aussi sur le site www.lapeyre.fr

LAPEYRE SA
Les miroirs, 18 avenue d'Alsace
92400 Courbevoie RCS Nanterre n°542 020 862
Service Clients : BP 149 93300 Aubervilliers Cedex