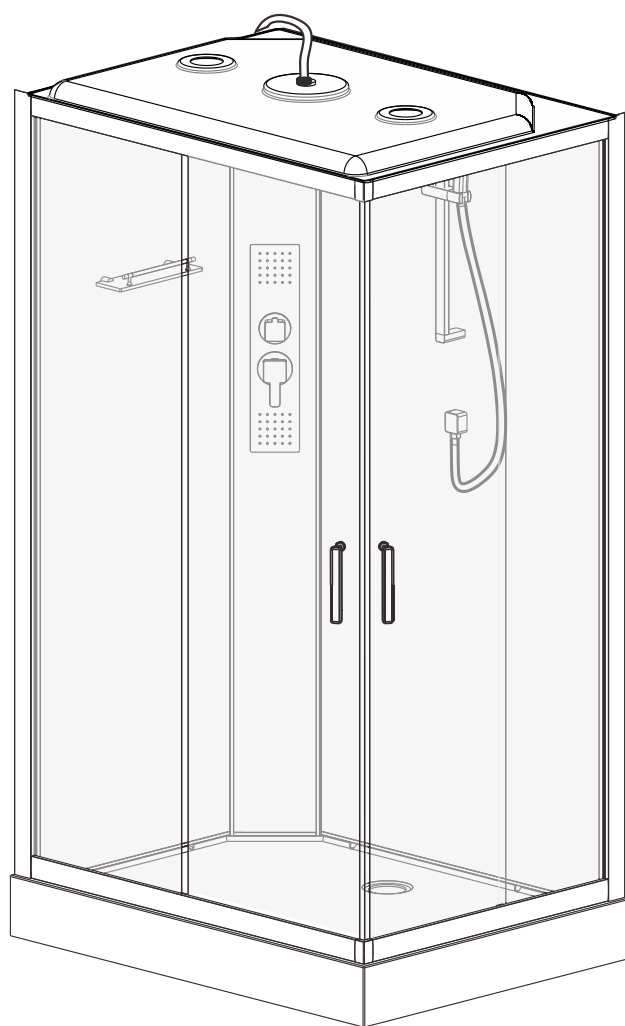
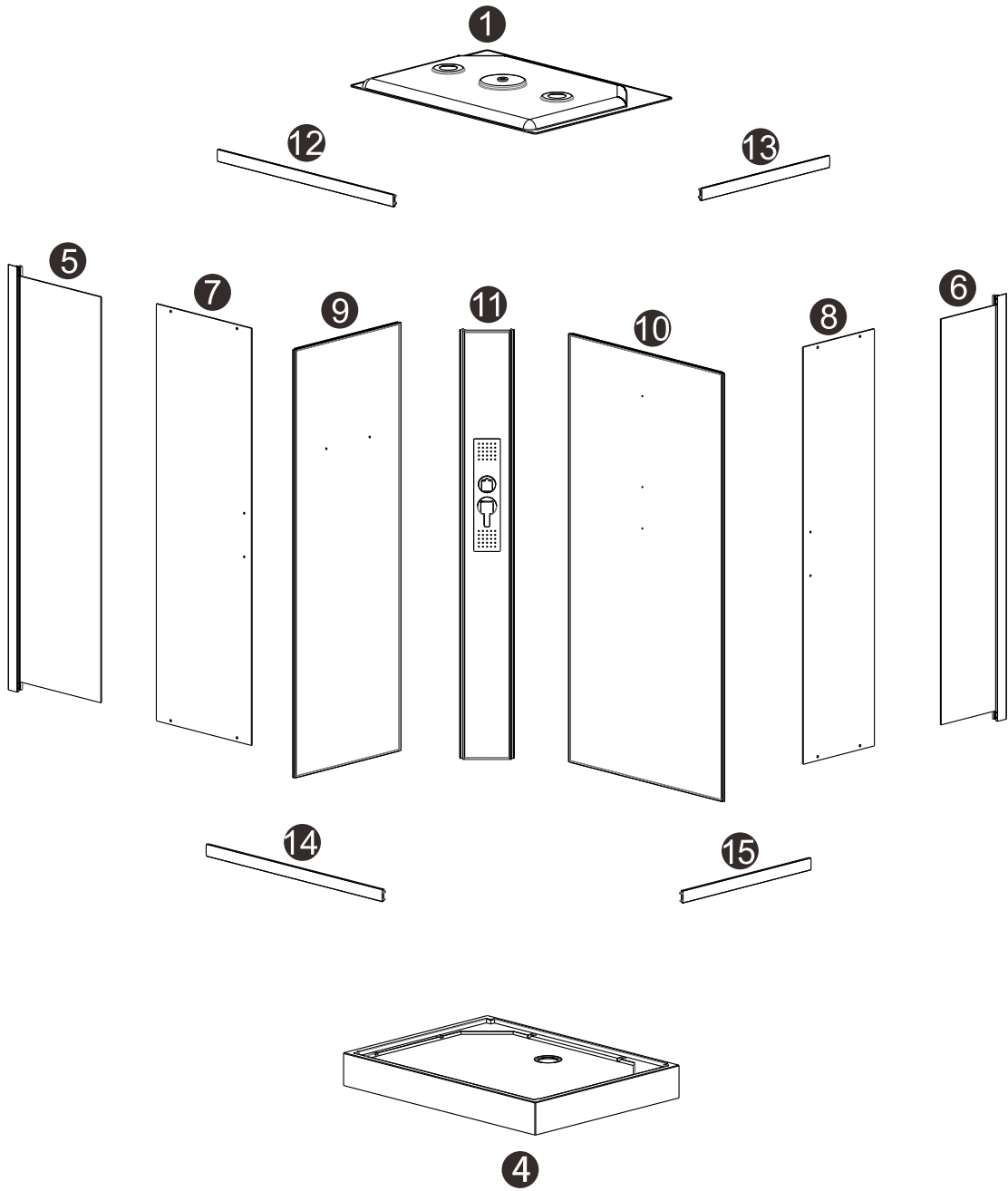
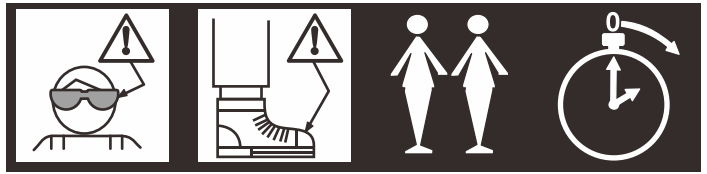
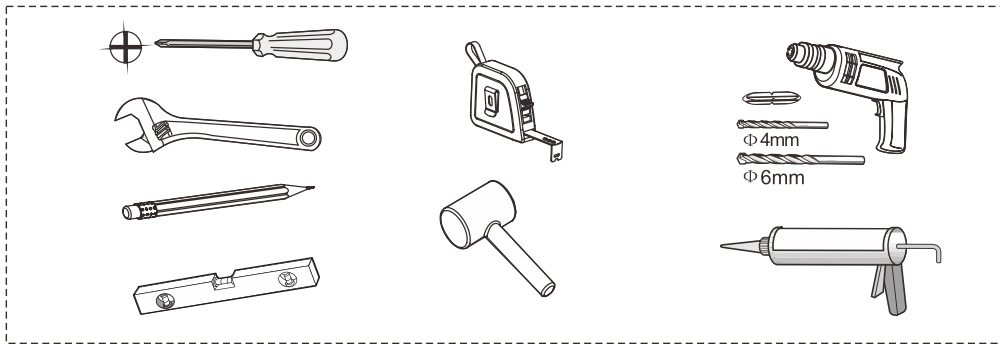











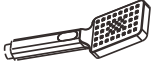




Cabine de douche Hydro MALAURY
H.222 x L.120 x P.90
Réf : 1246992

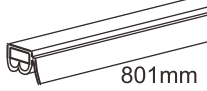
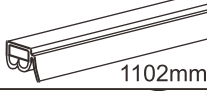





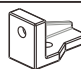








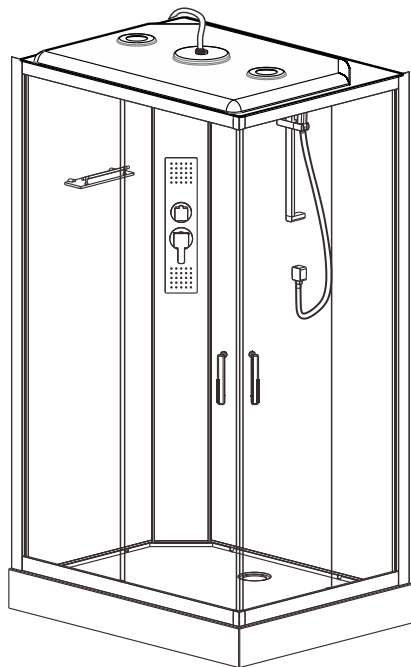
V:03/2020



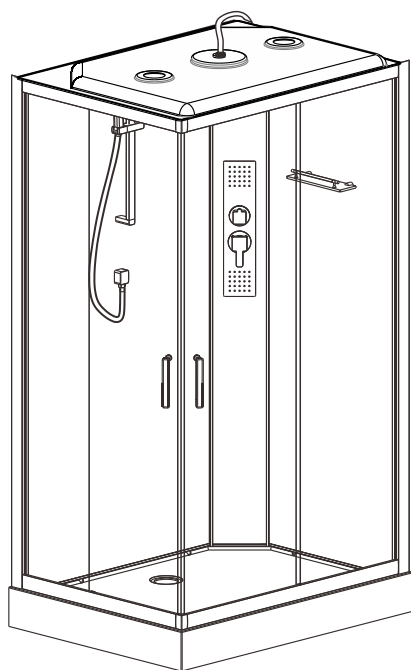


A1	 ST4X12mm	X6
A2	 ST4X16mm	X4
A3	 M4x16mm	X4
A4	 M4X25mm	X8
A5	 ST4X30mm	X2
A6	 M6X10mm	X4
C1		X4
C2		X4
D1		X1
D2		X1
D3		X1
D4		X1
E1		X1
F1		X2

G1	 801mm	X1
G2	 1102mm	X1
H1		X2
H2		X2
H3		X2
J1		X1
J2		X2
K1		X1
K2		X1
K3		X1
K4		X1
K		X2
L1		X2
L	 3M 3M	X2

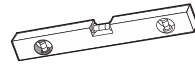
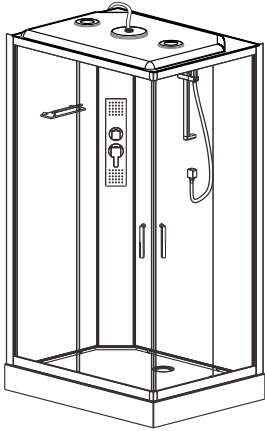


1 → **20**

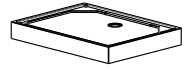


21 → **40**

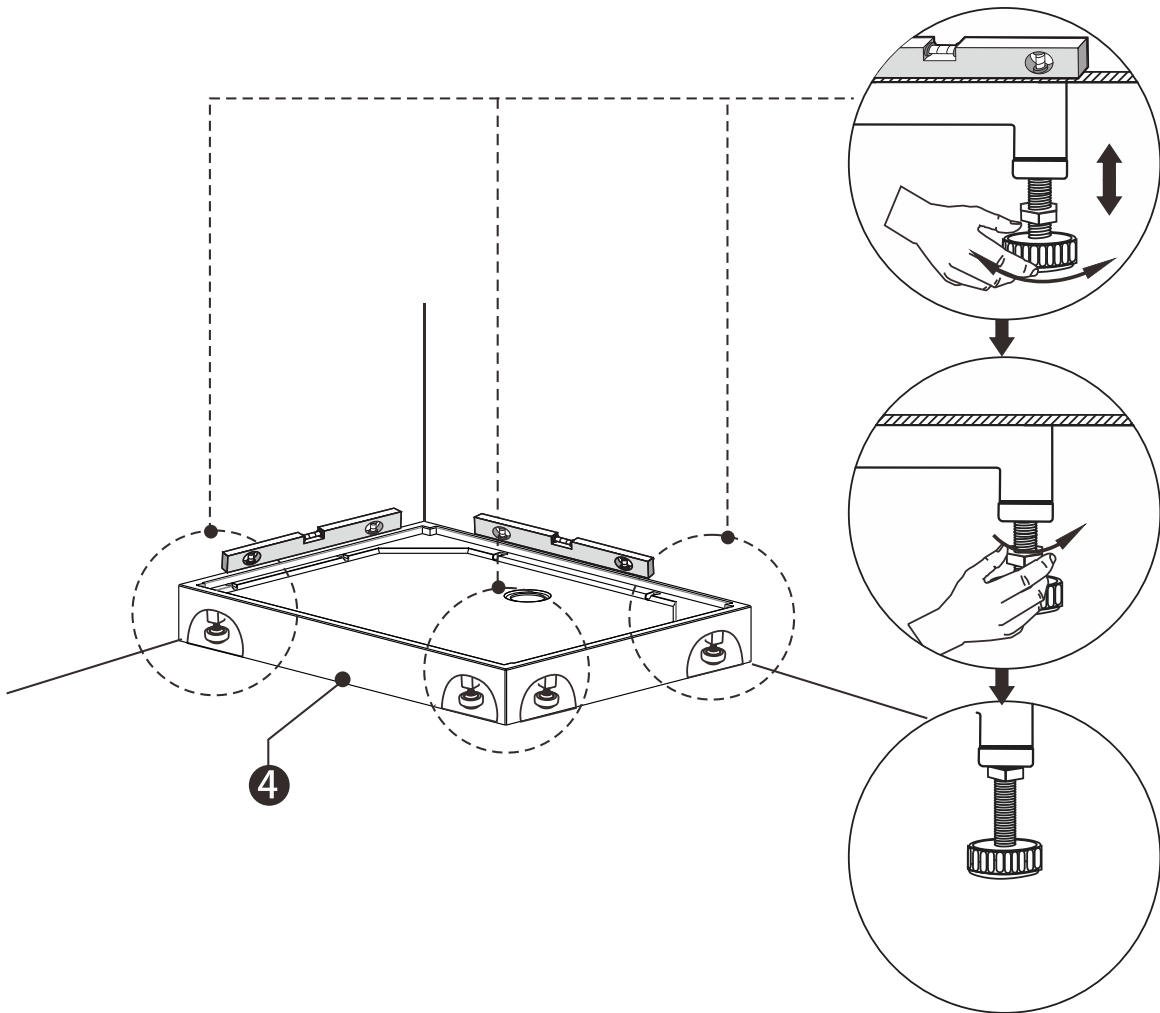
1



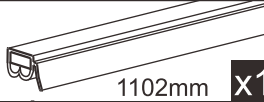
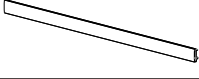


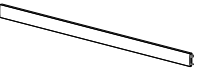
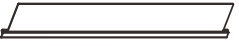
4

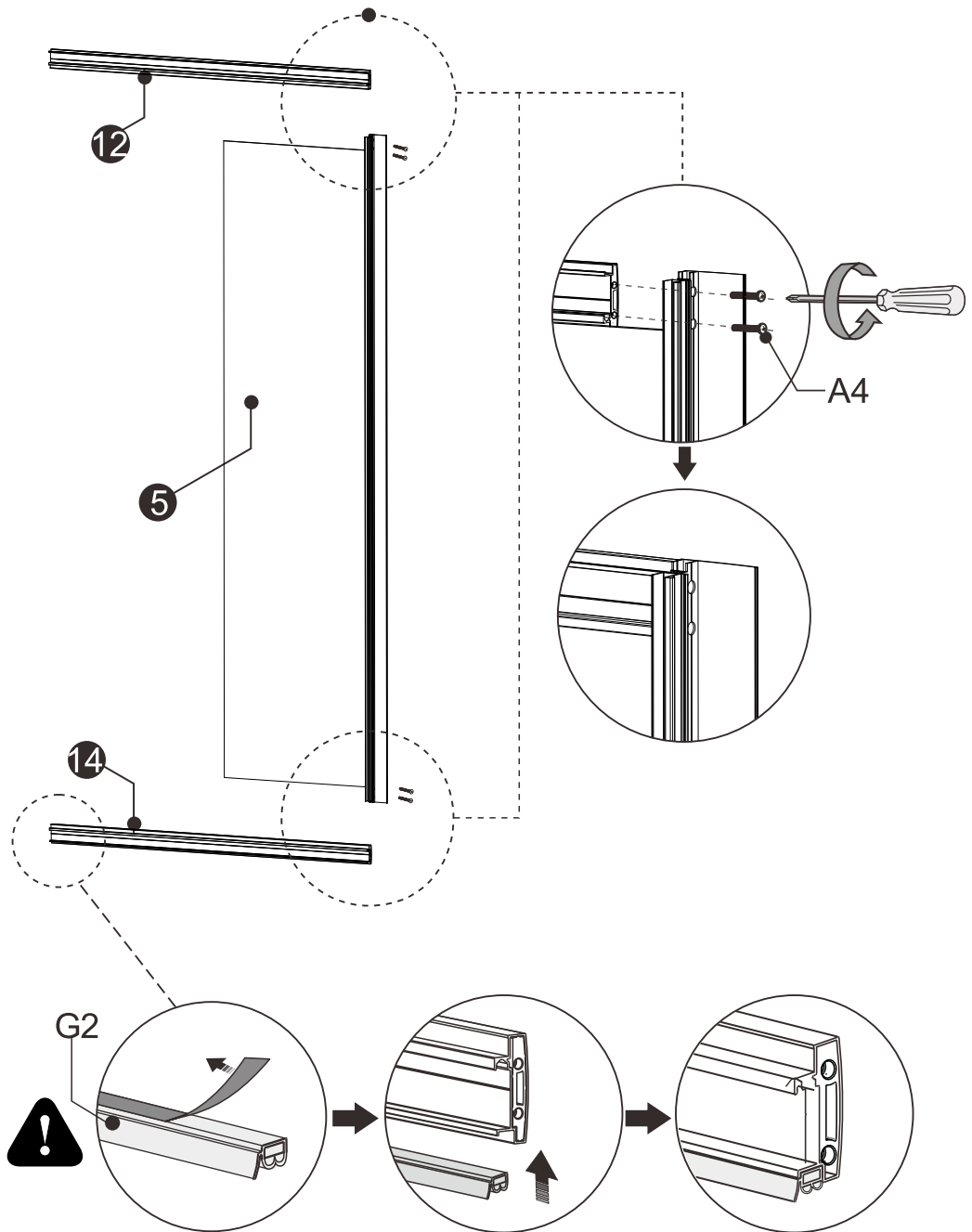


x1

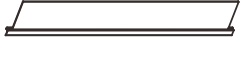

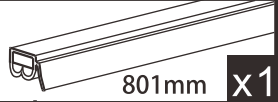

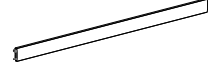



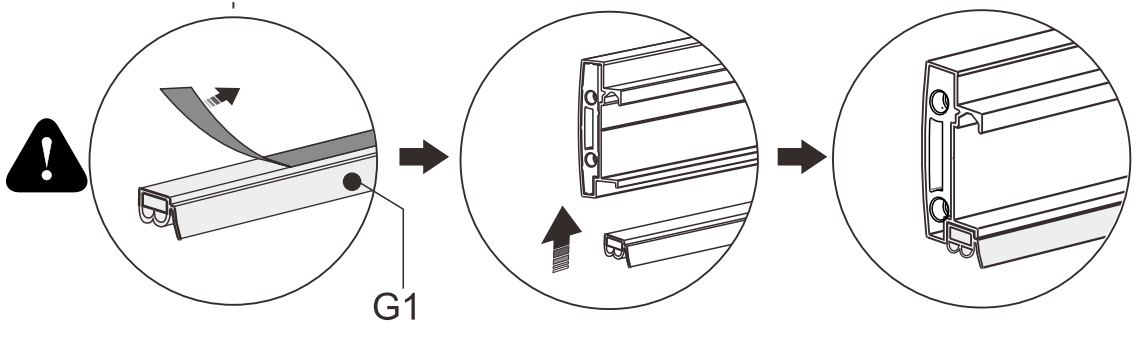
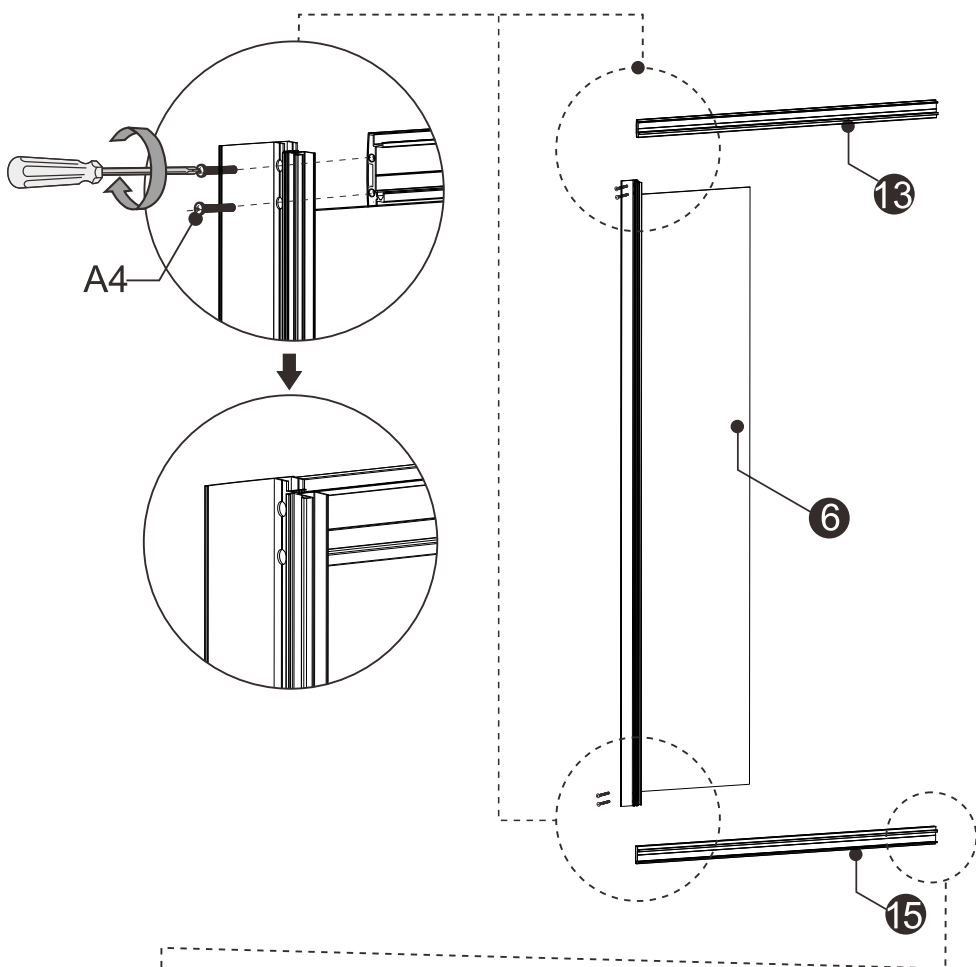
2

G2	 1102mm x1	12	 x1	A4	 M4X25mm x4
		14	 x1	5	 x1

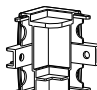






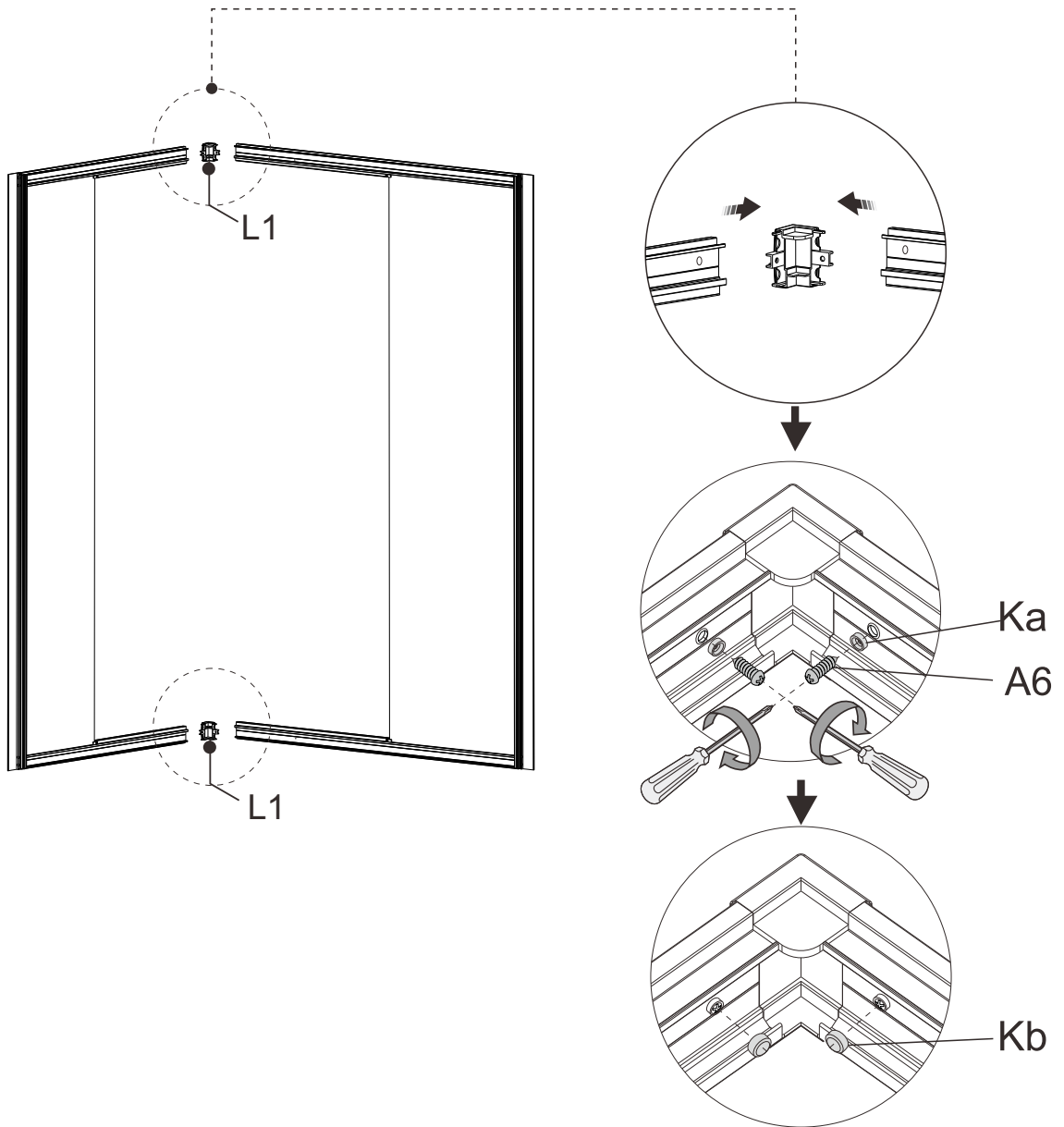
3

6  x1	13  x1	G1  801mm x1
	15  x1	A4  M4X25mm x4

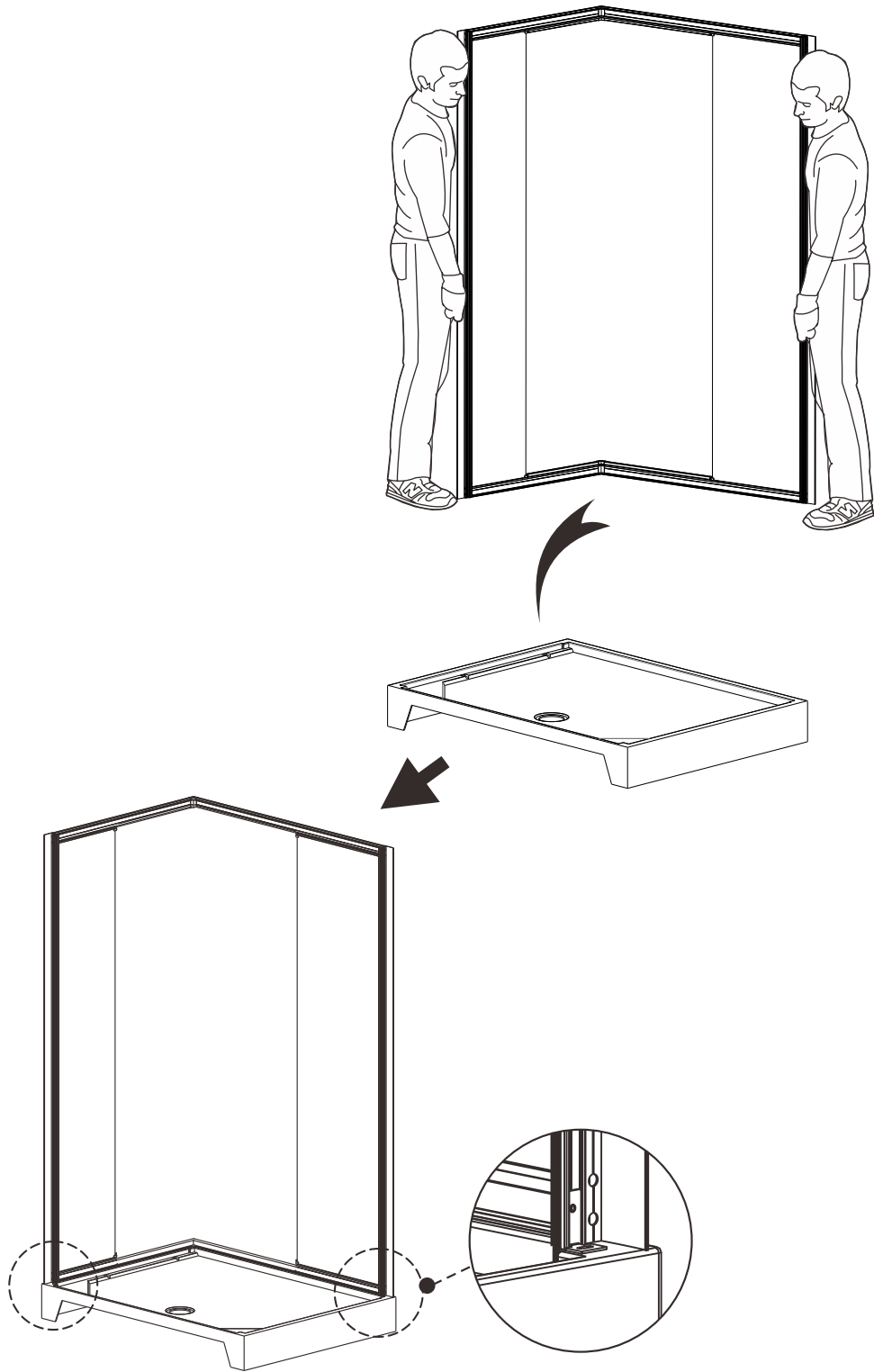


4

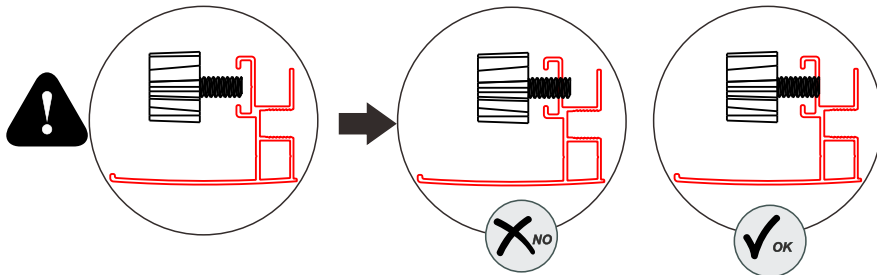
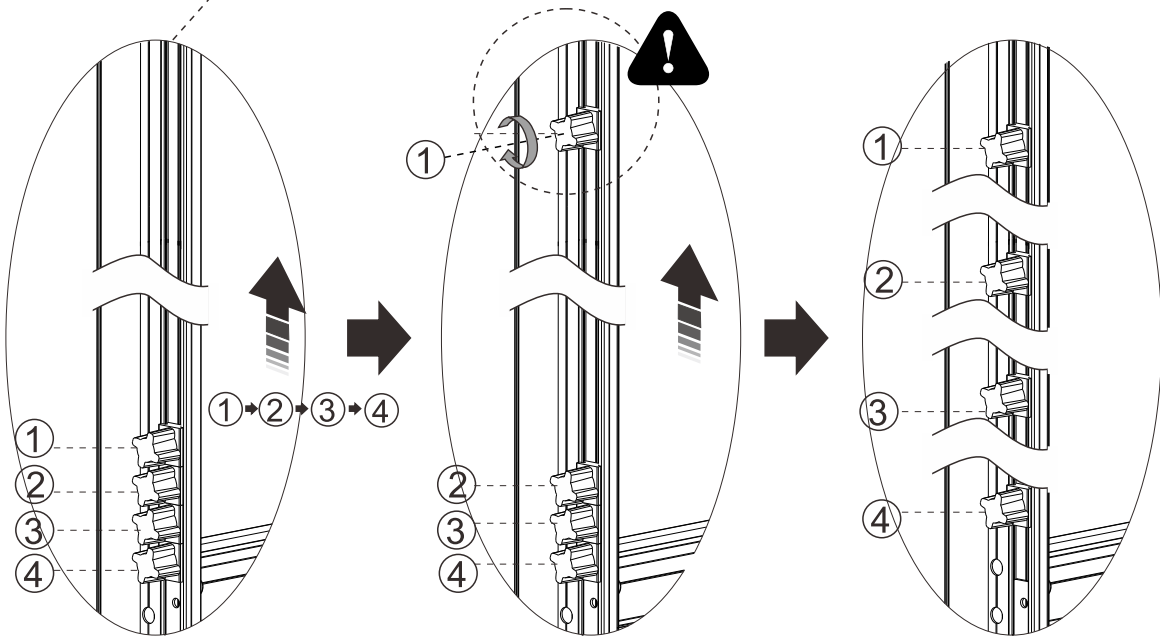
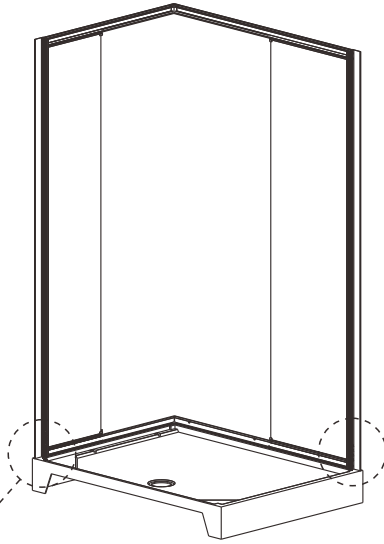
L1		A6	 M6X10mm	x4
	x2	Ka		x2
	K	Kb		x2



5

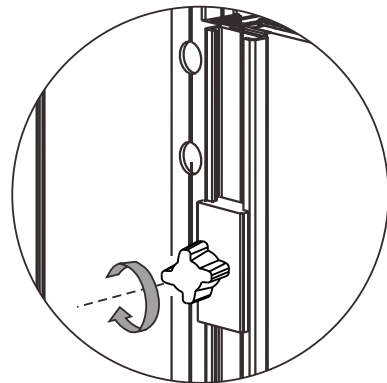
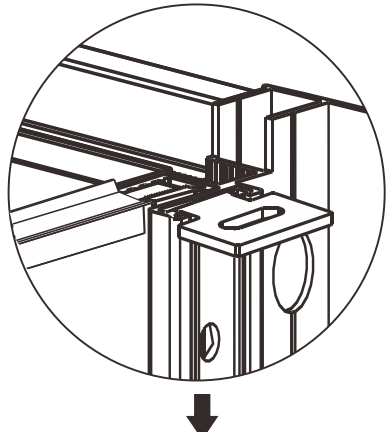
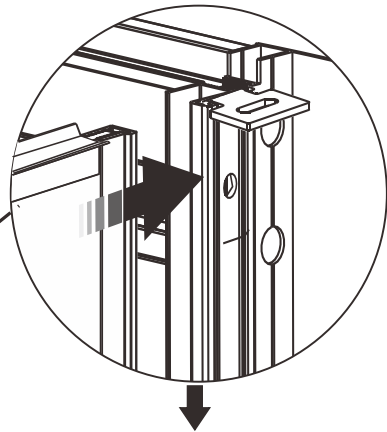
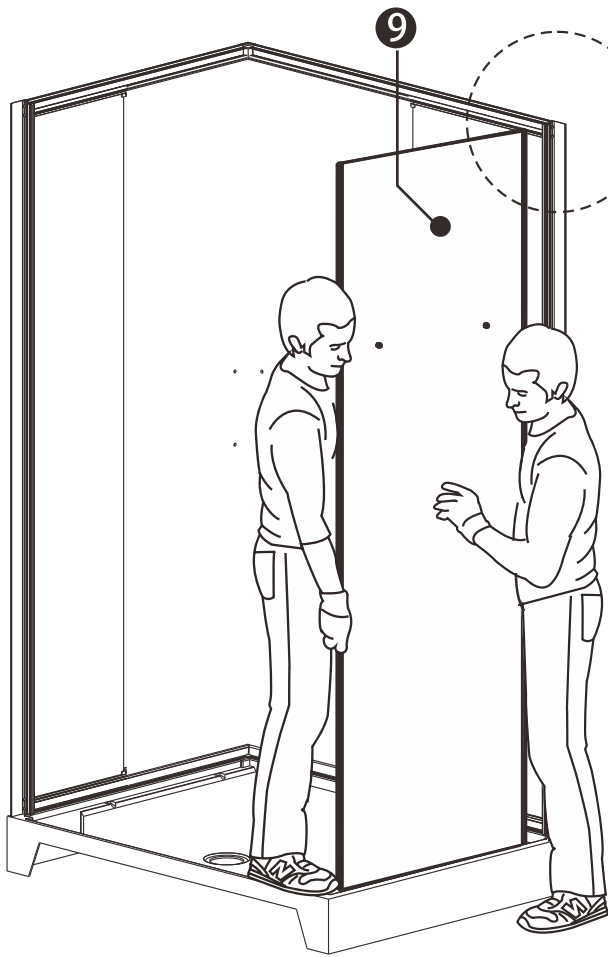
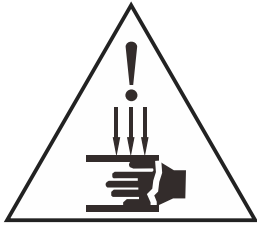


6

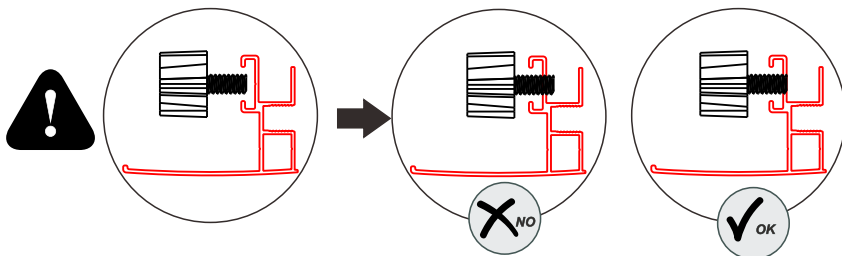
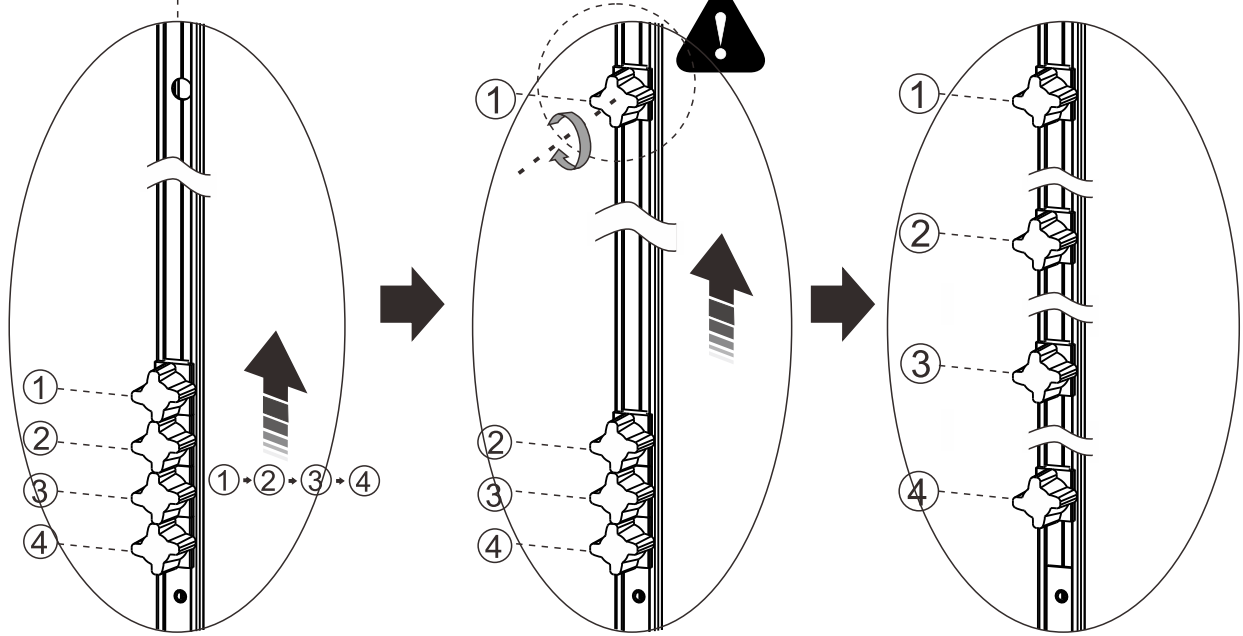
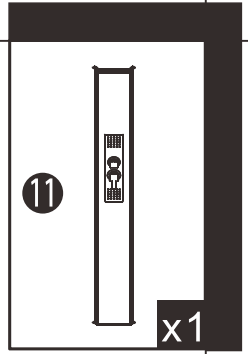
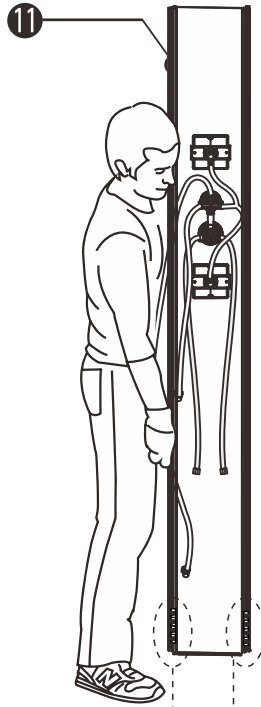


7

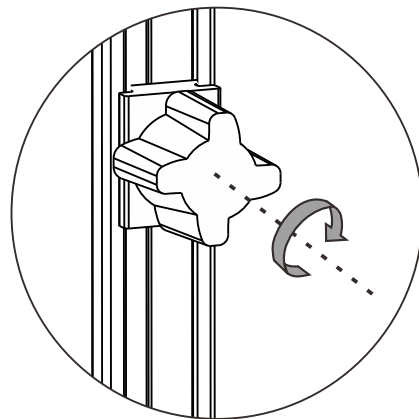
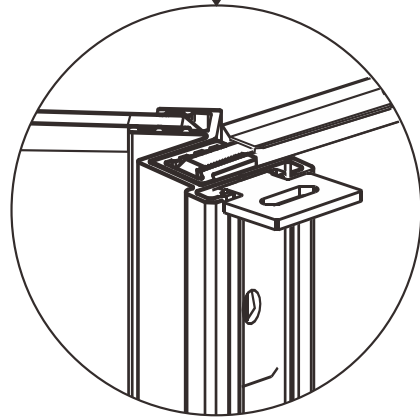
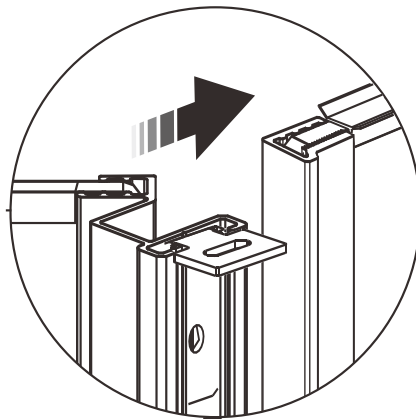
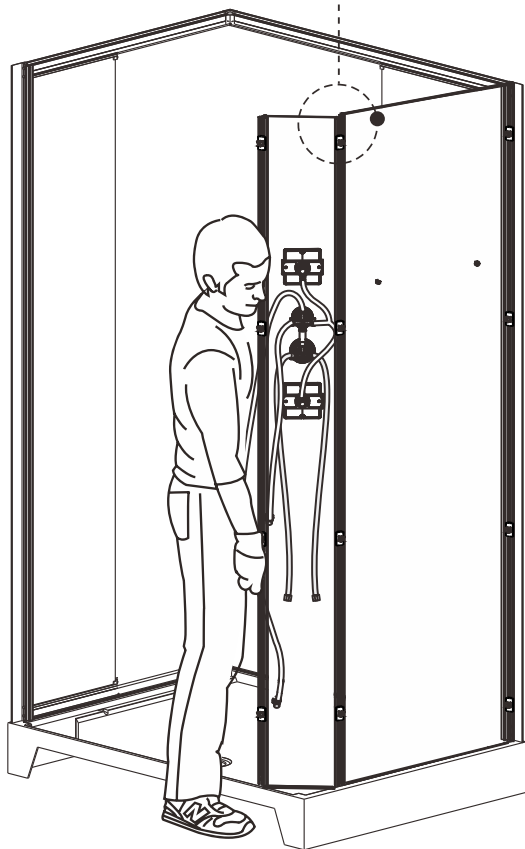
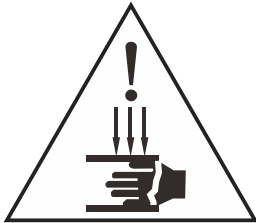
9 x1



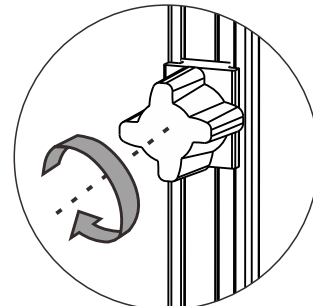
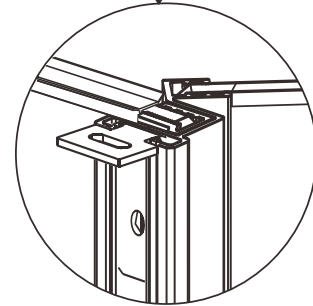
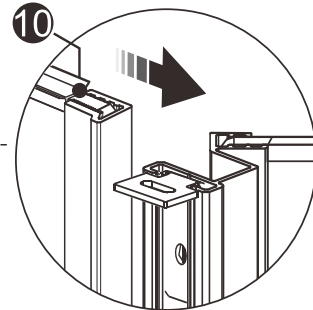
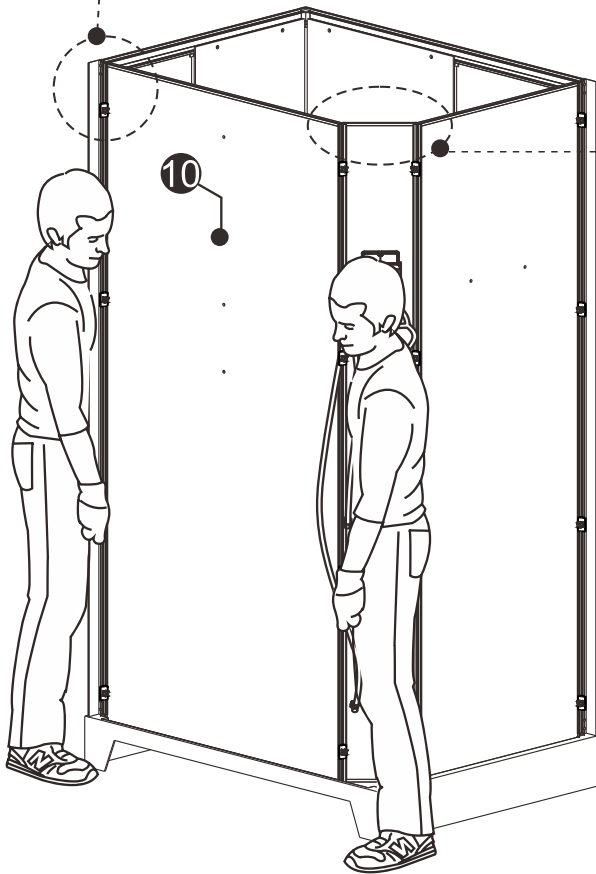
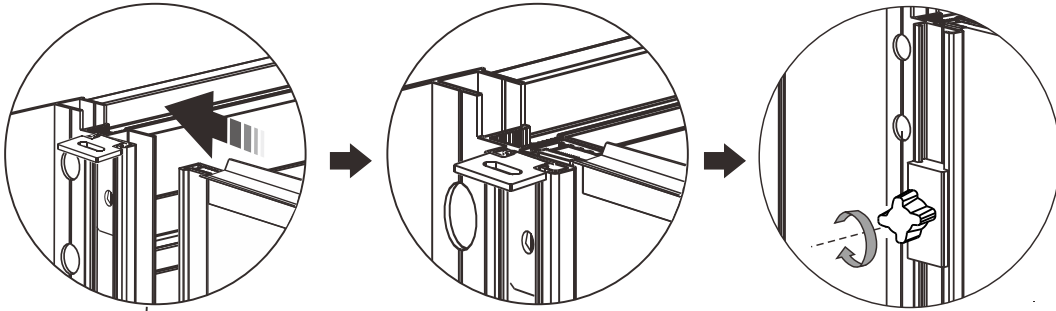
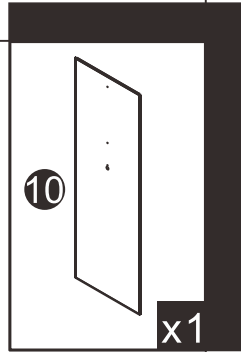
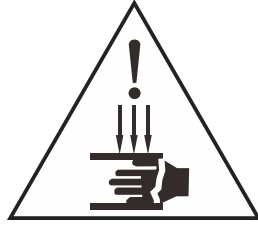
8



9



10



11

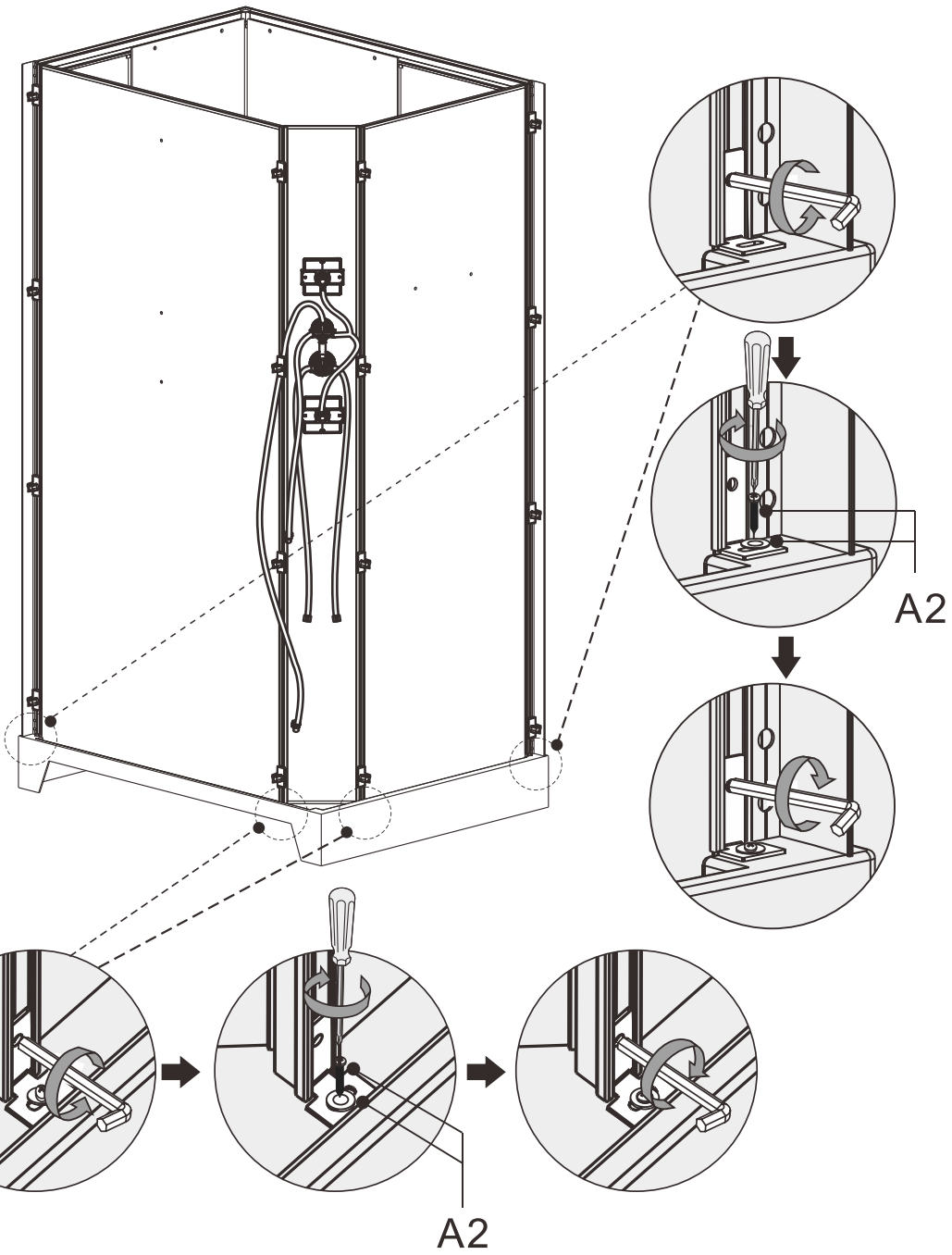


x1

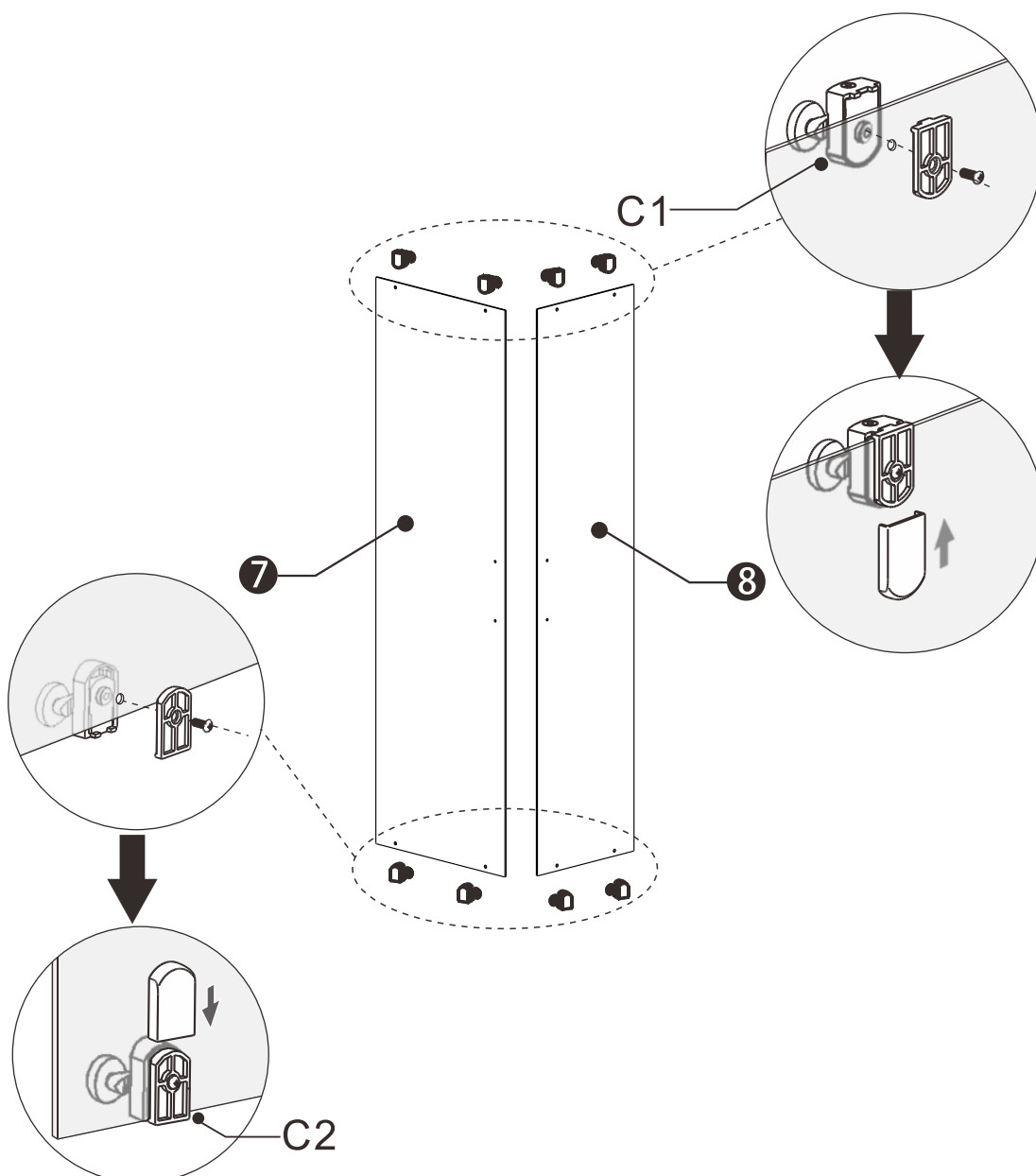
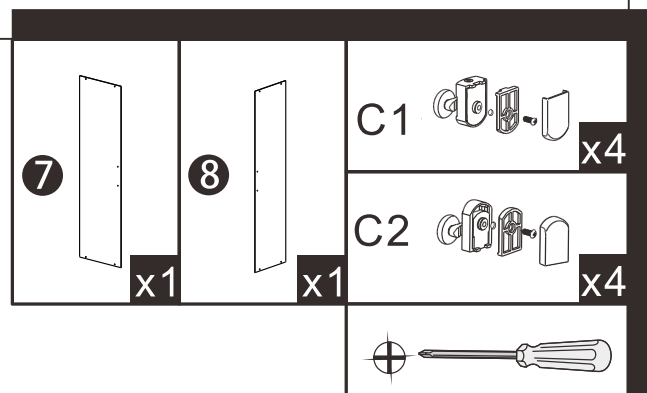
A2

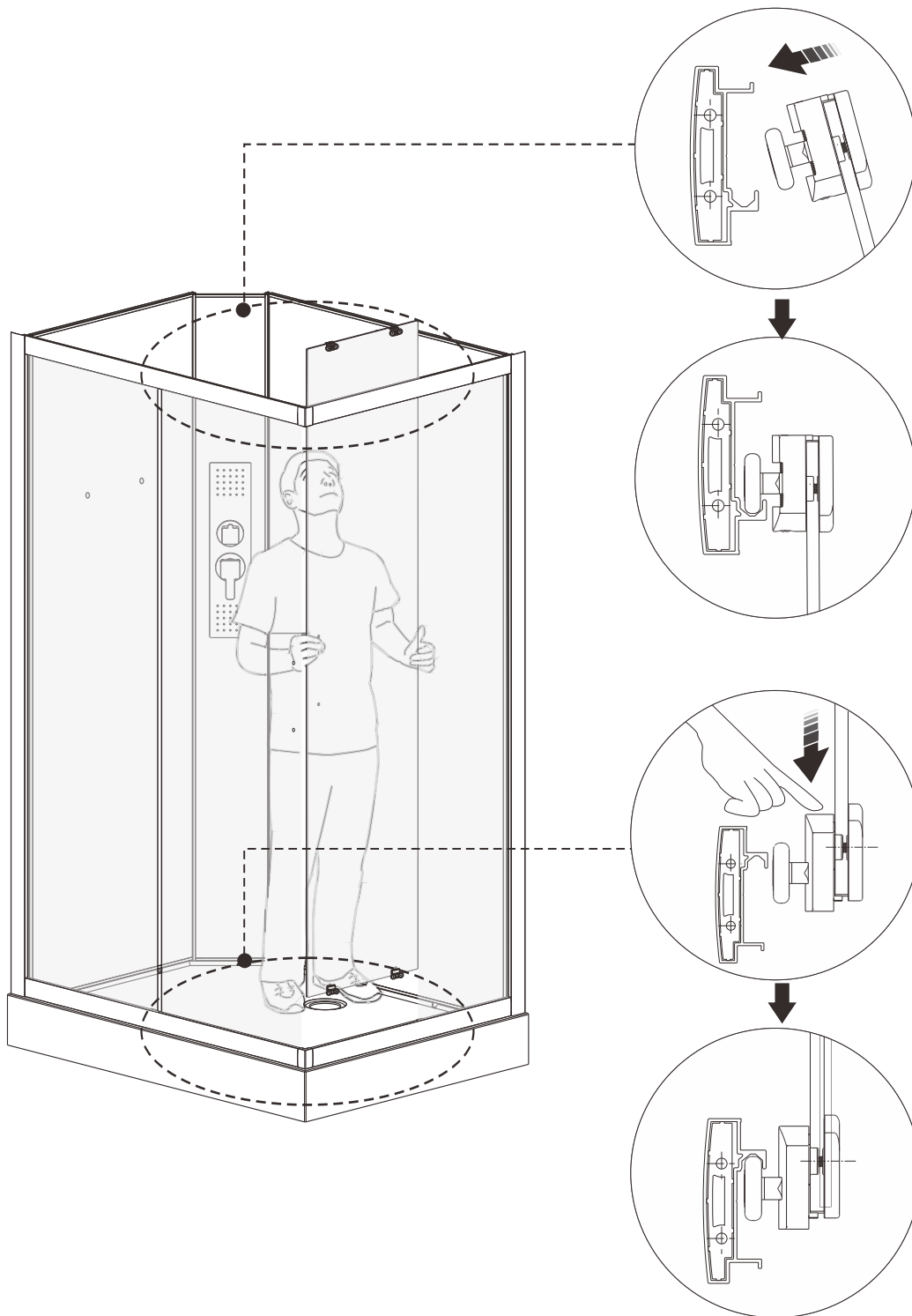


x4



12





14

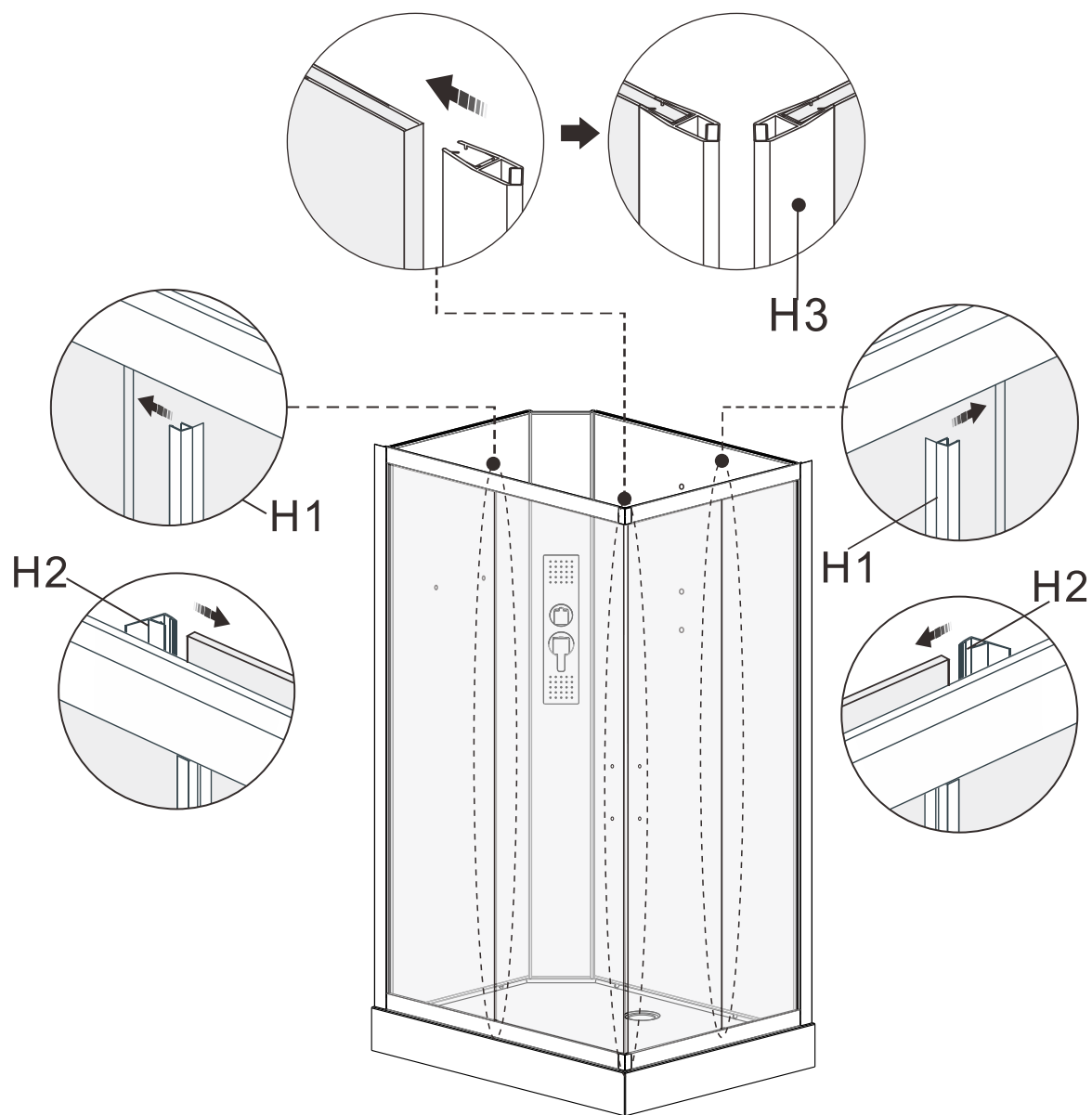
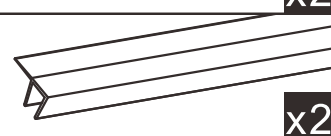
H3











H1

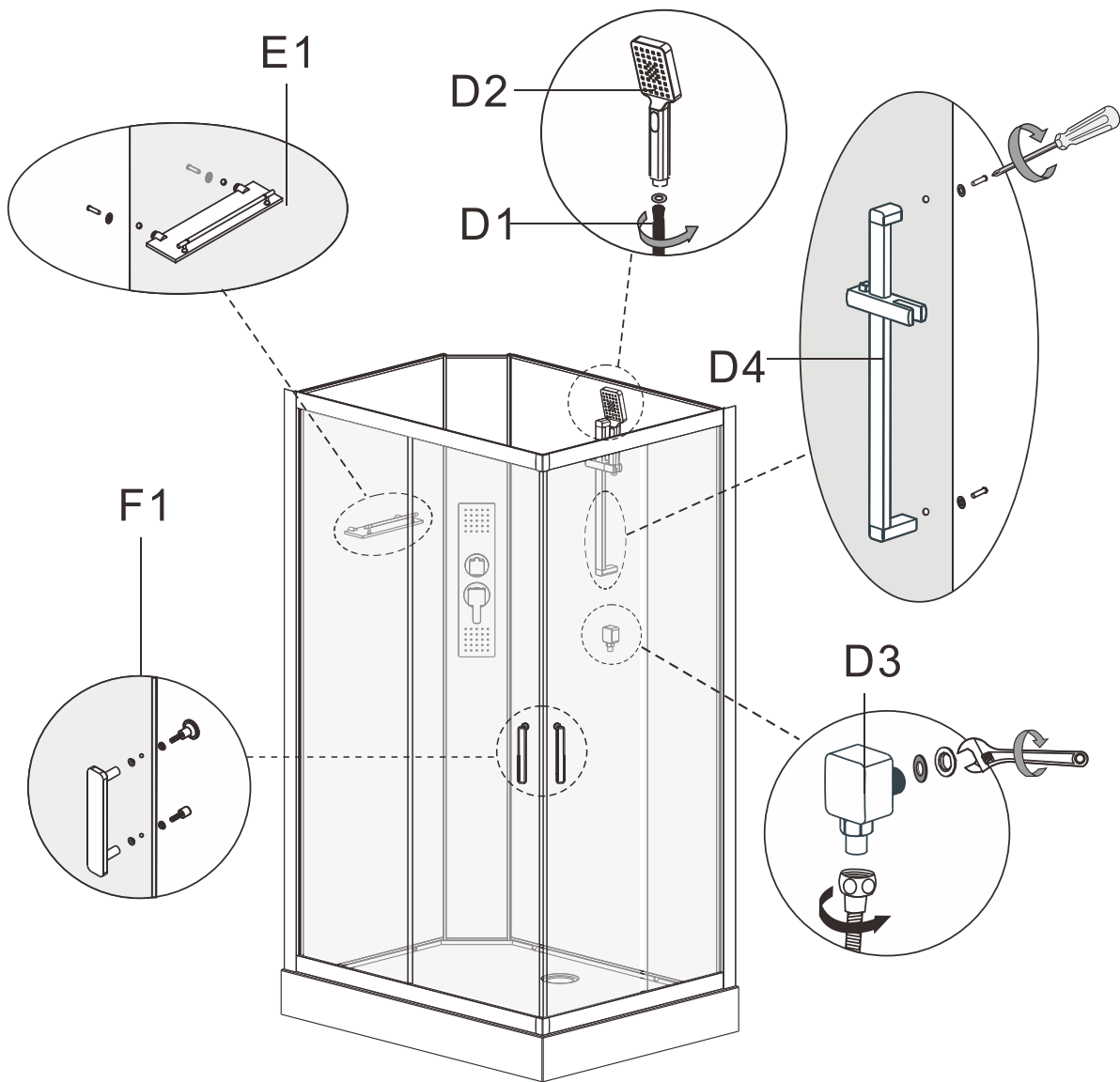


H2

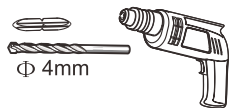


15

	D1  x1	E1  x1	F1  x2
	D2  x1	D3  x1	D4  x1



16



Φ 4mm

J1



x1

1



x1

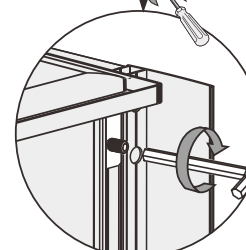
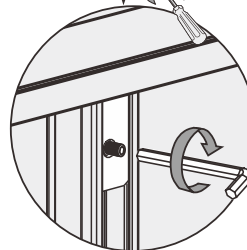
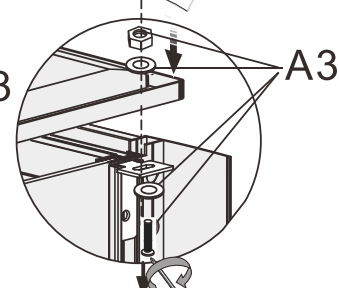
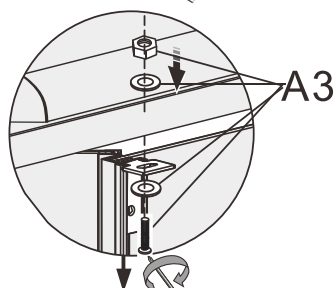
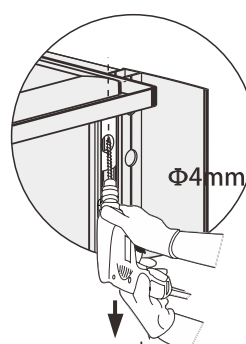
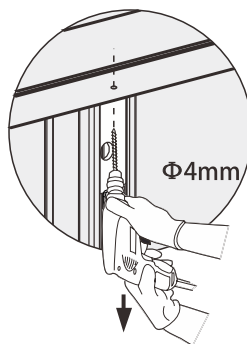
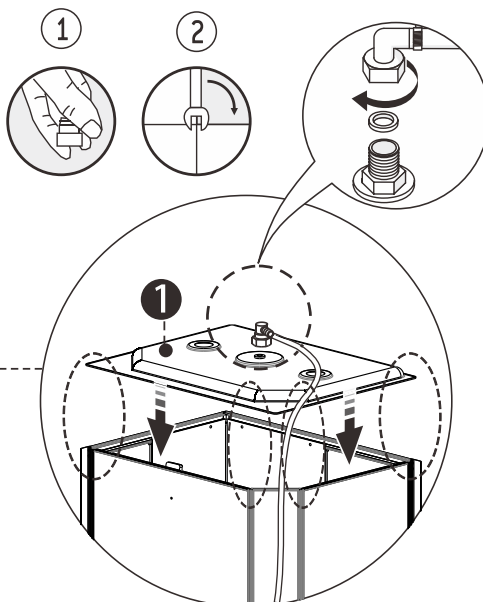
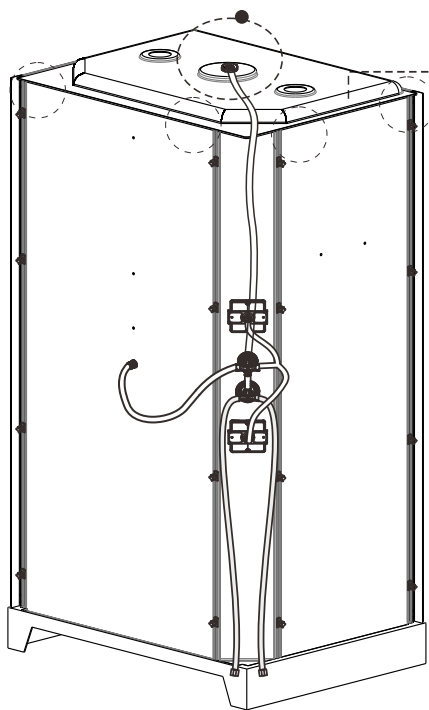


A3







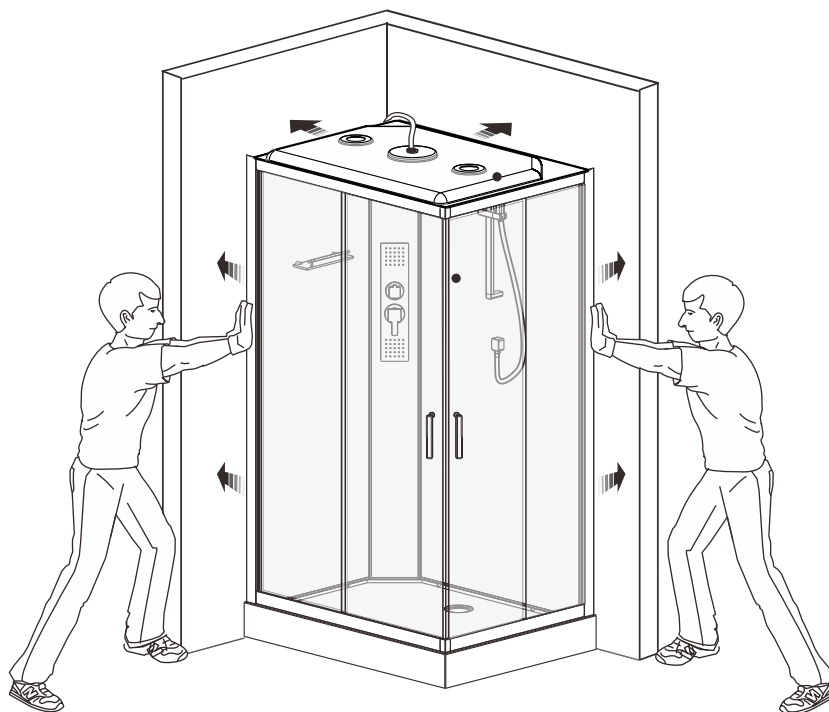
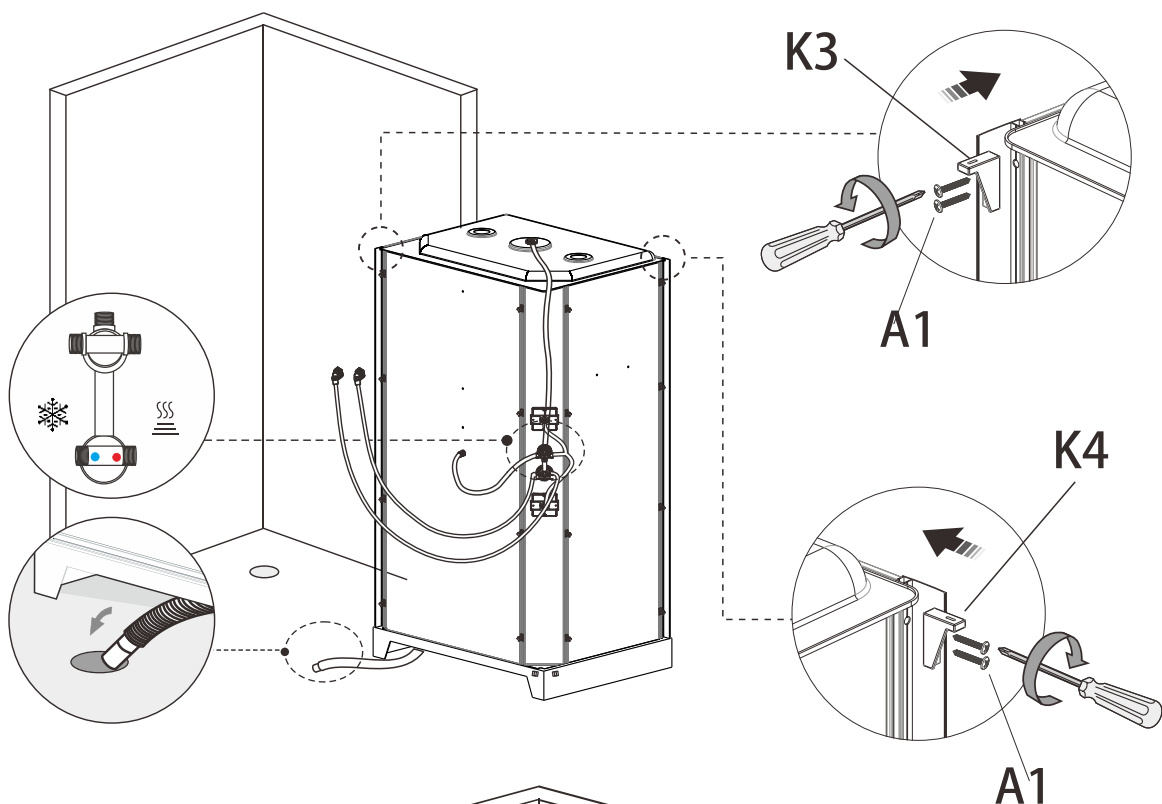
M4x16mm

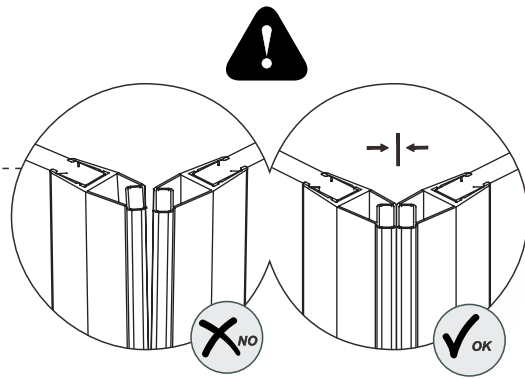
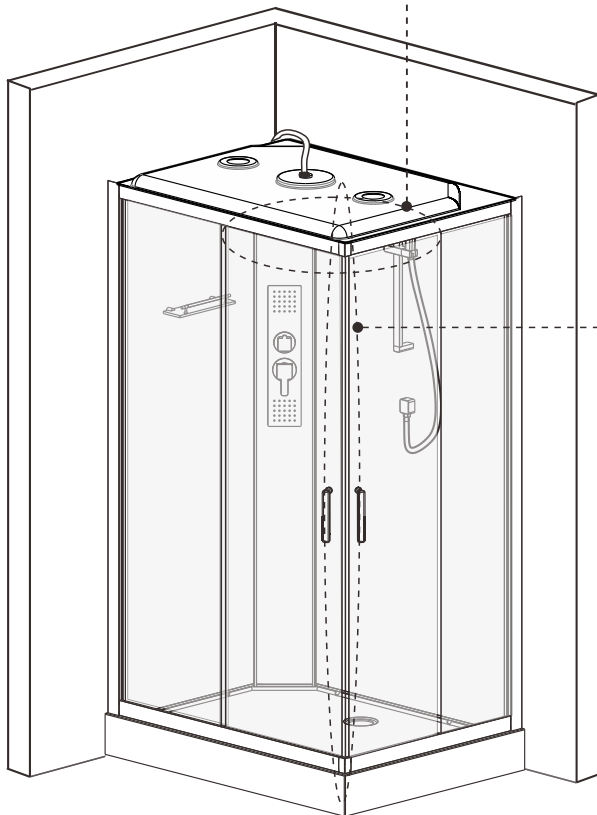
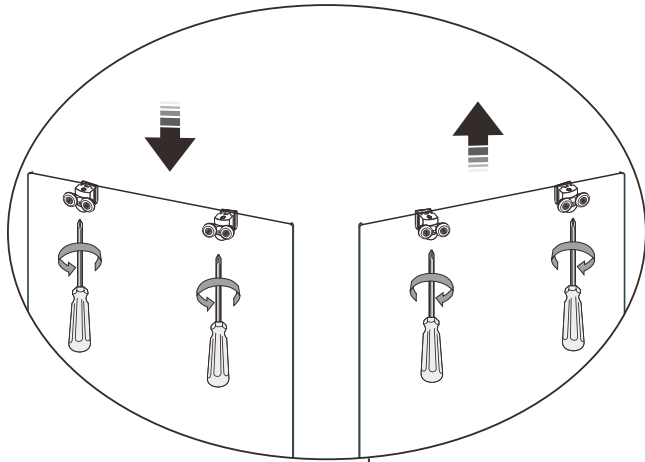
x4



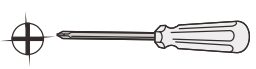
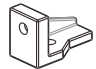


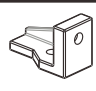

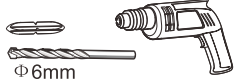


17

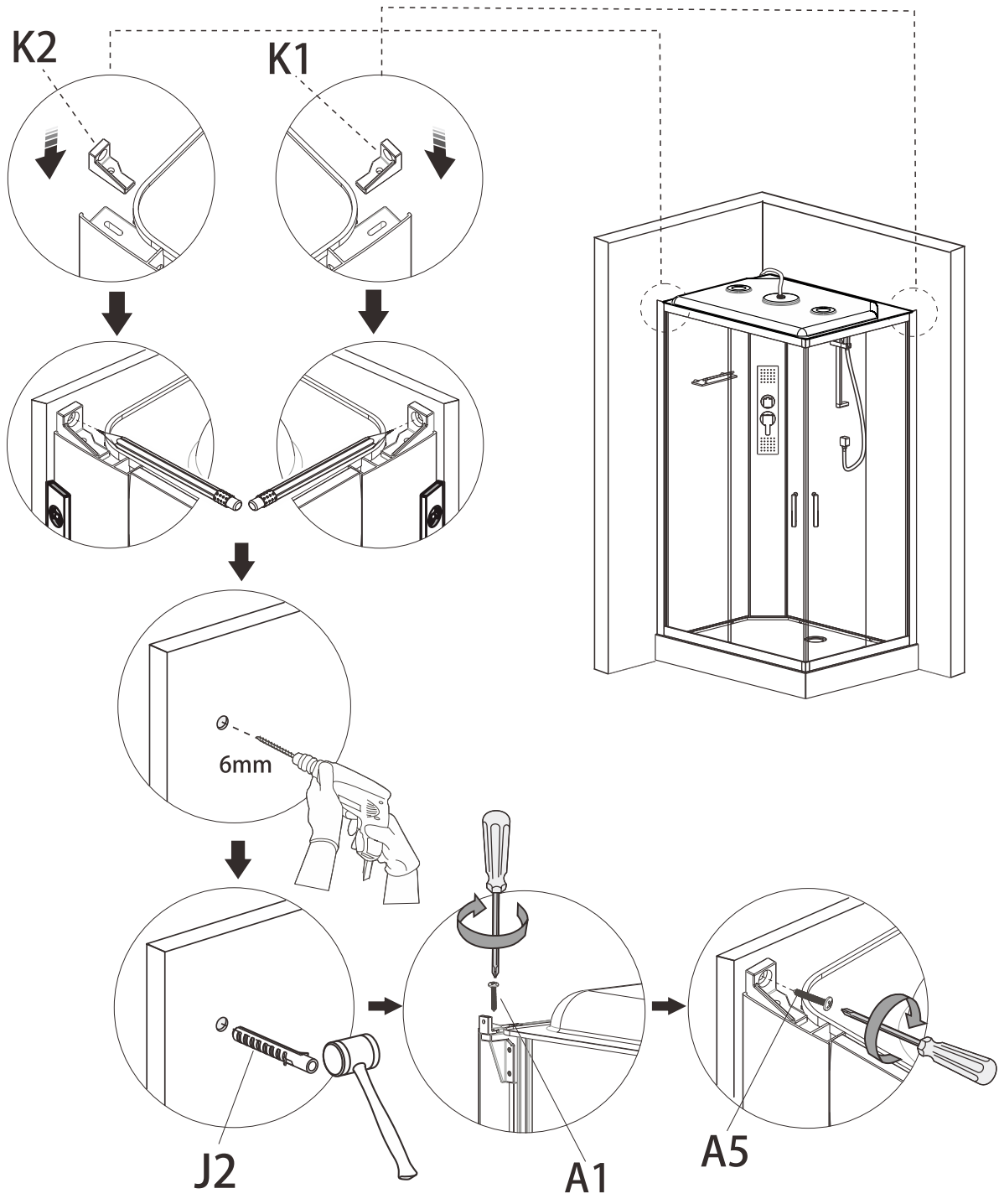
A1	 ST4X12mm	x4	K3		x1
			K4		x1





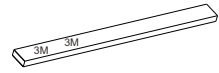
19

	K1  x1	J2  x2
	K2  x1	A1  ST4X12mm x2
 Φ6mm		A5  ST4X30mm x2

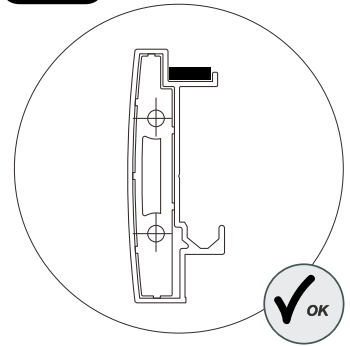
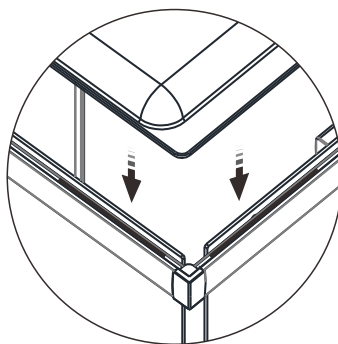
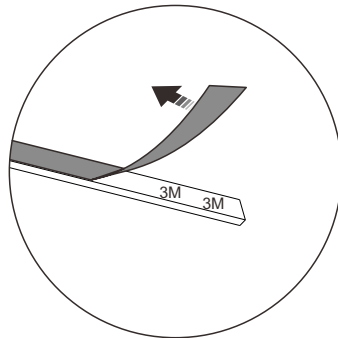
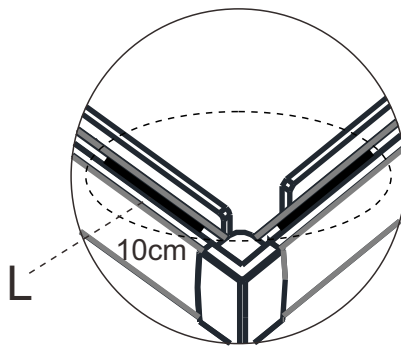
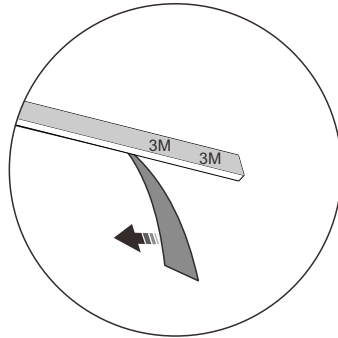
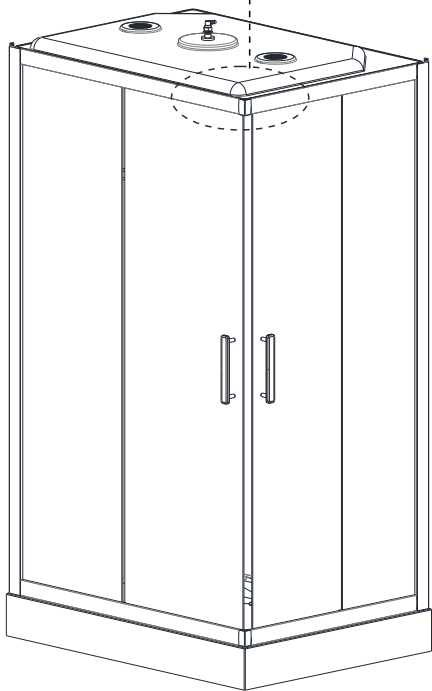


20

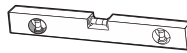
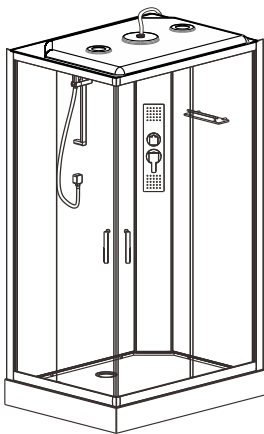
L



x2



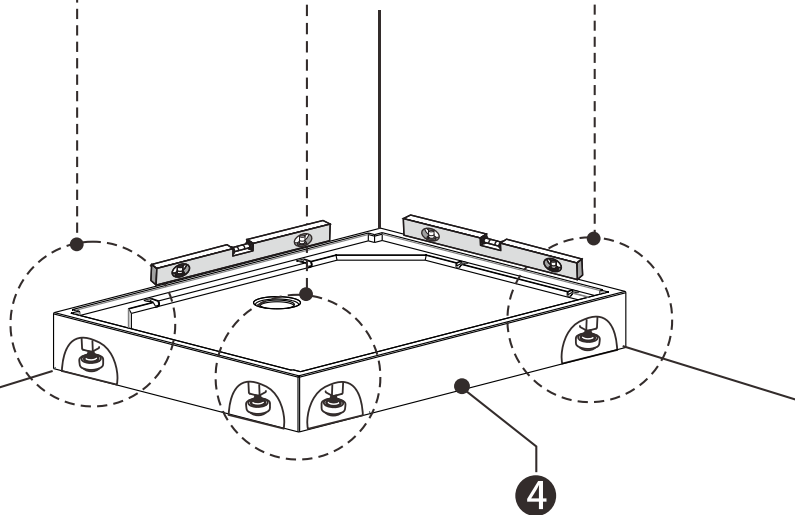
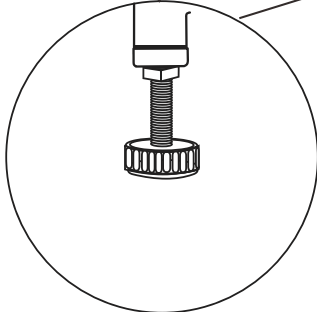
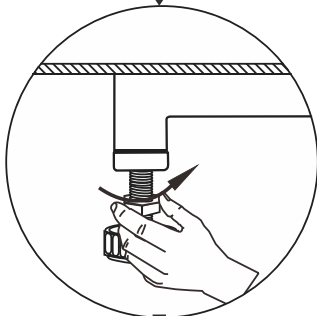
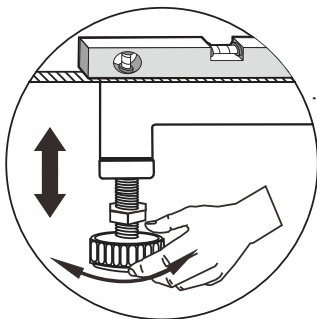
21



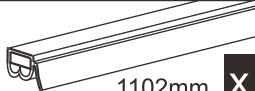
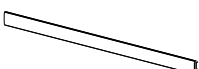


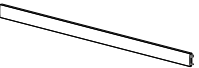
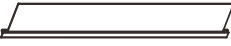
4

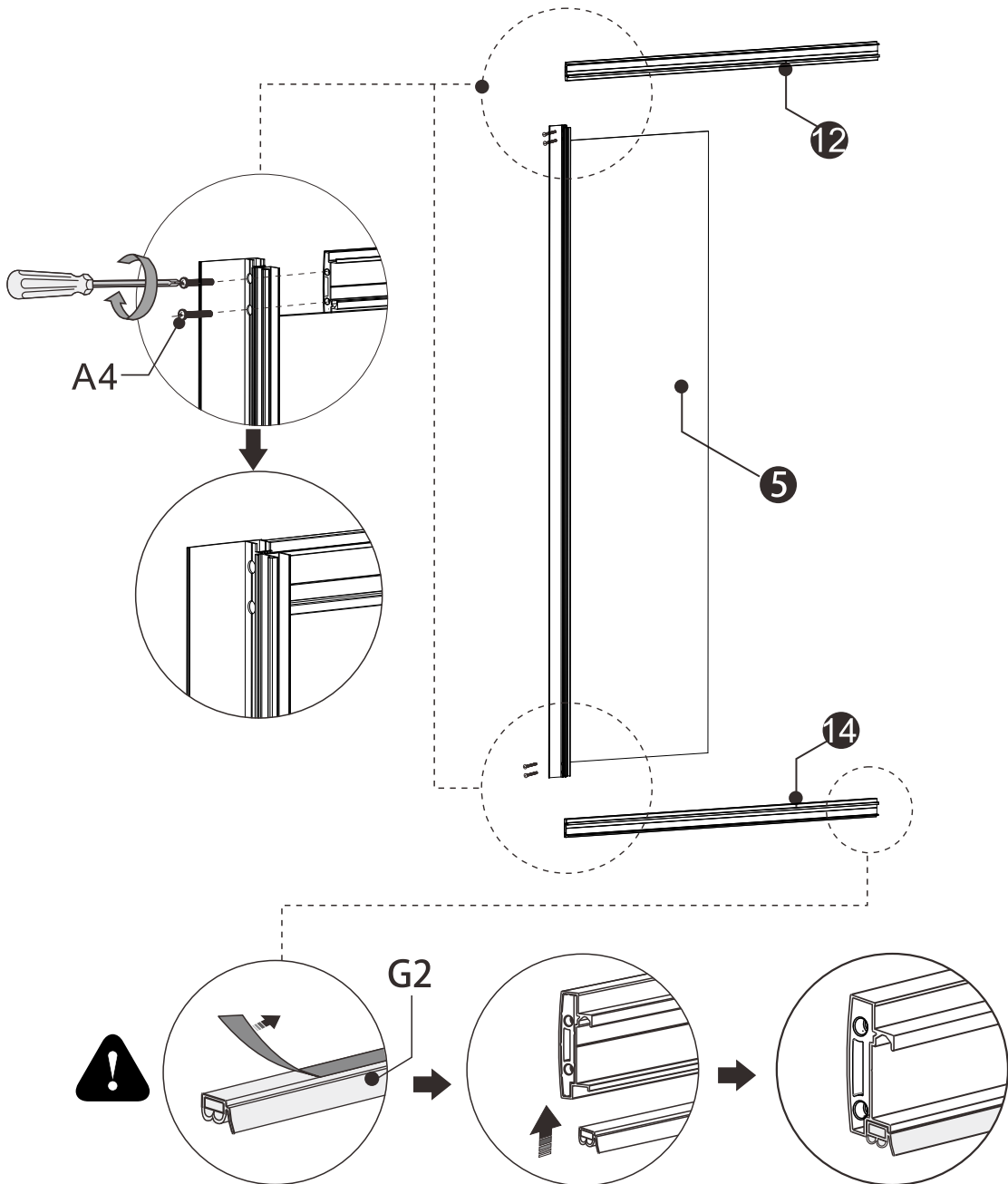


x1

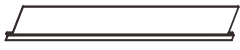
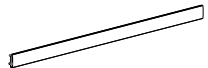


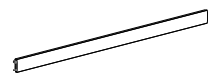



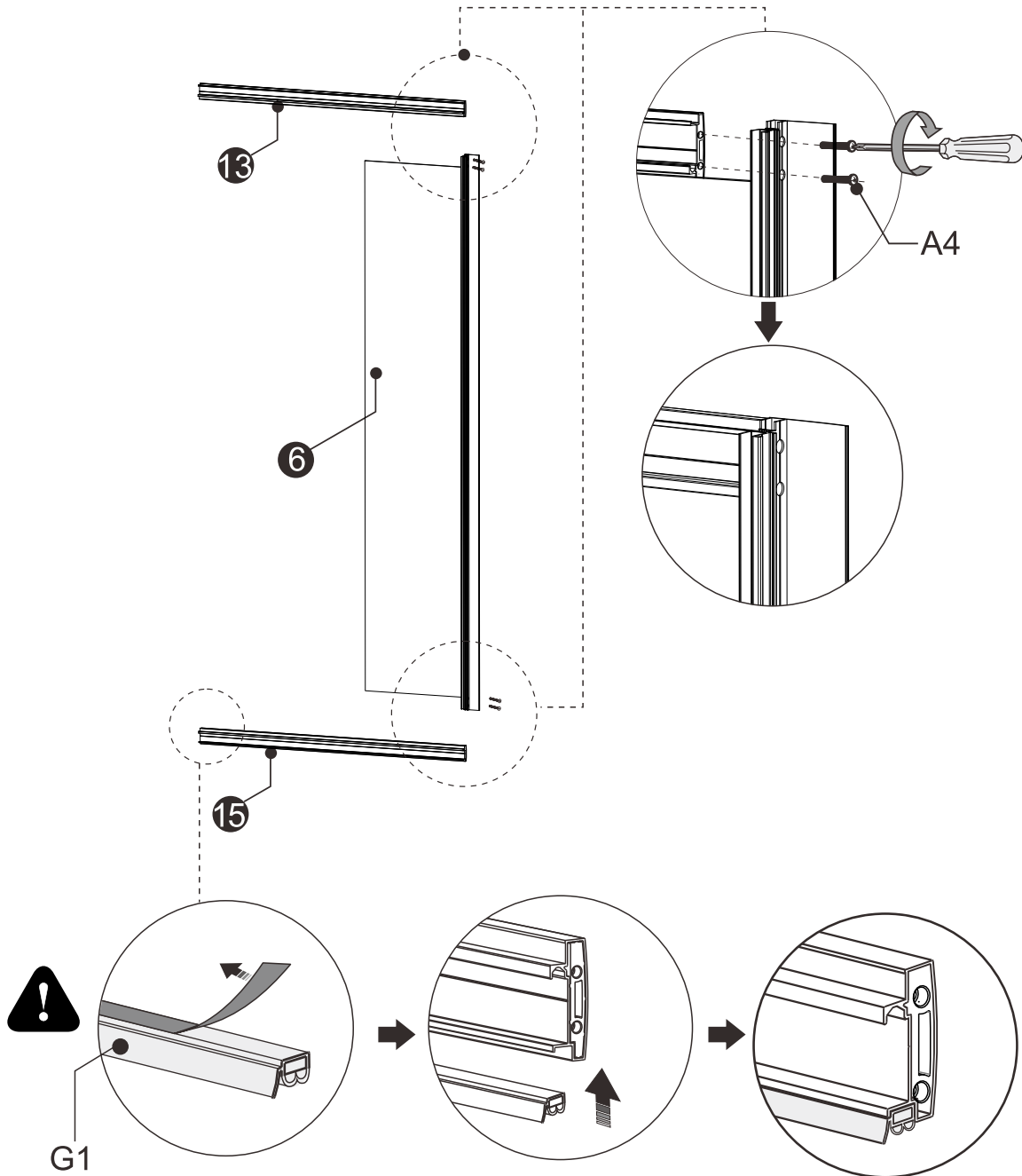
22

G2  1102mm x1	12  x1	A4  M4X25mm x4
	14  x1	5  x1








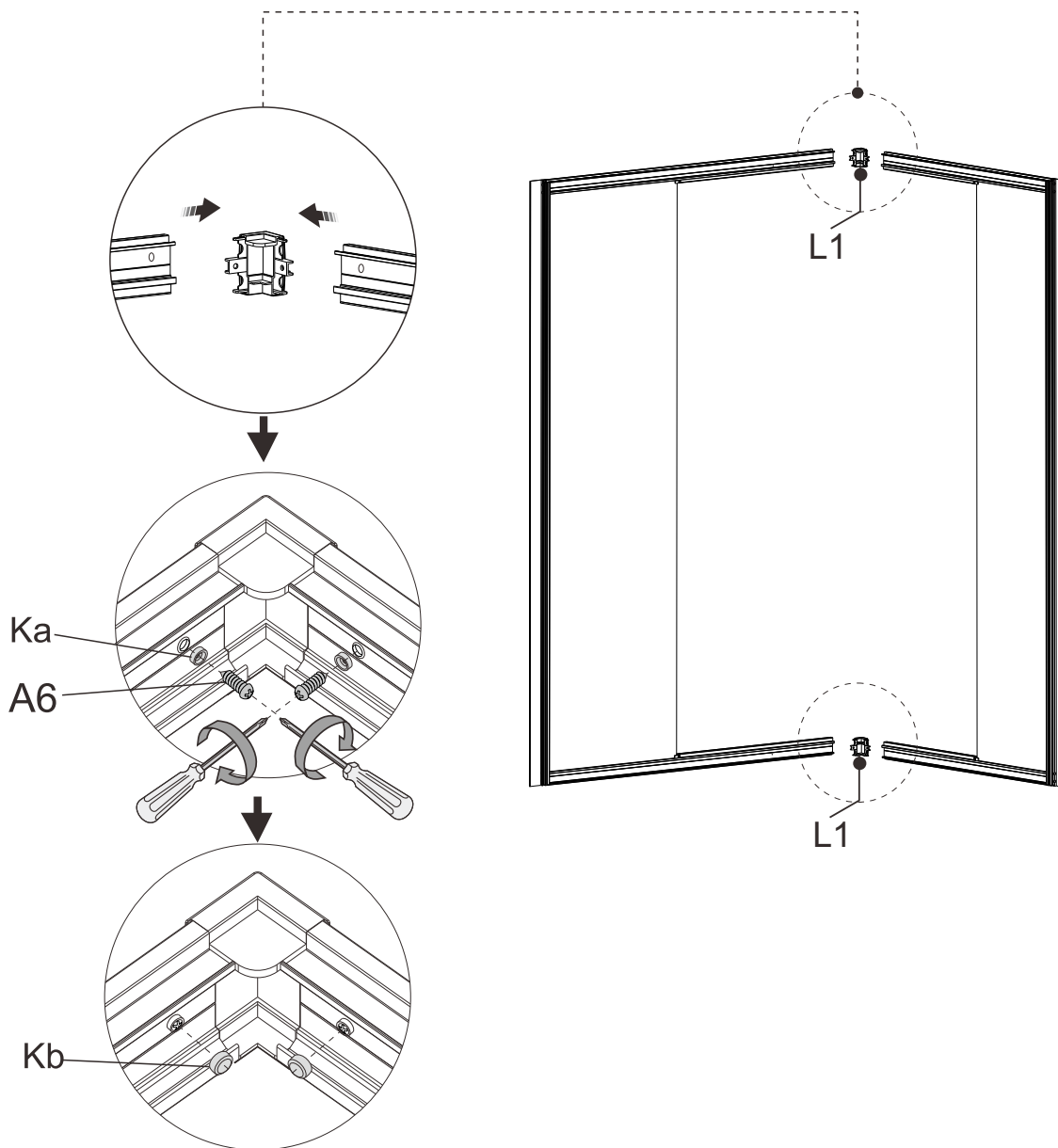
23

6  x1	13  x1	G1  801mm x1
	15  x1	A4  M4X25mm x4

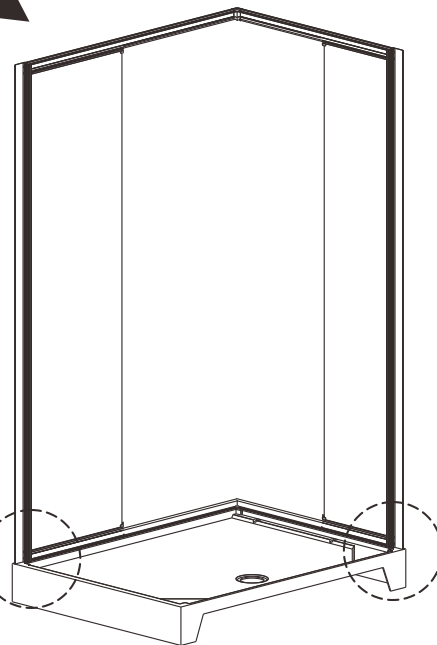
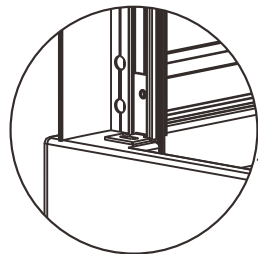
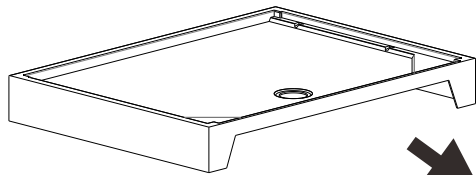
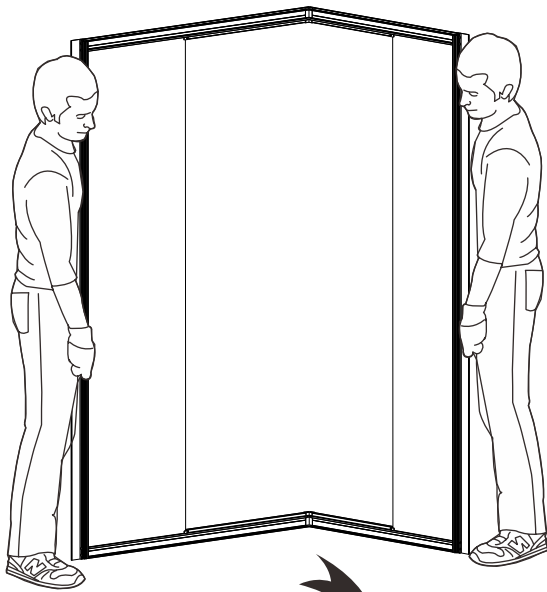


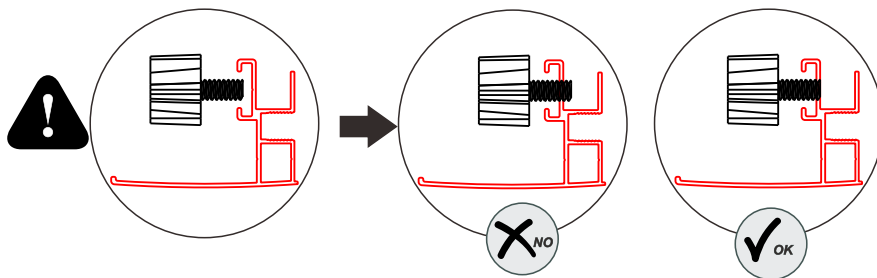
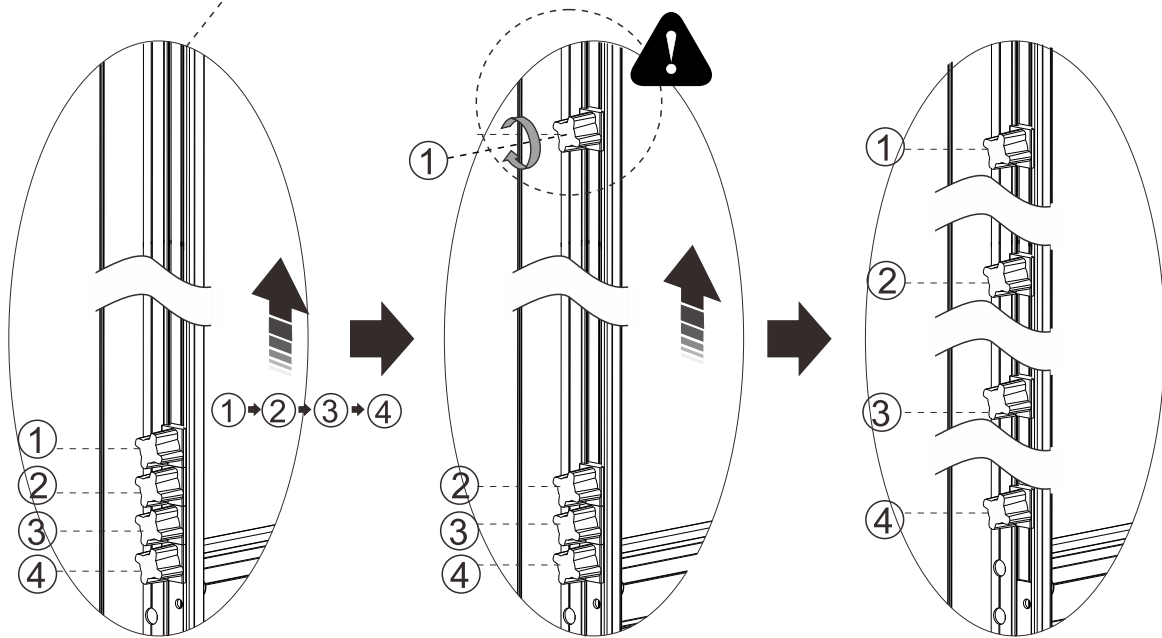
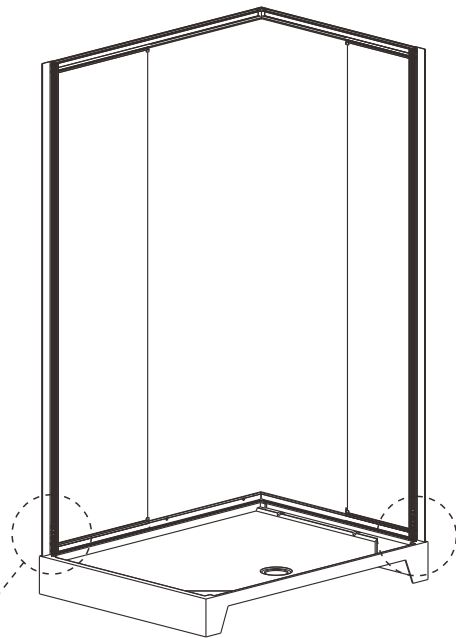
24

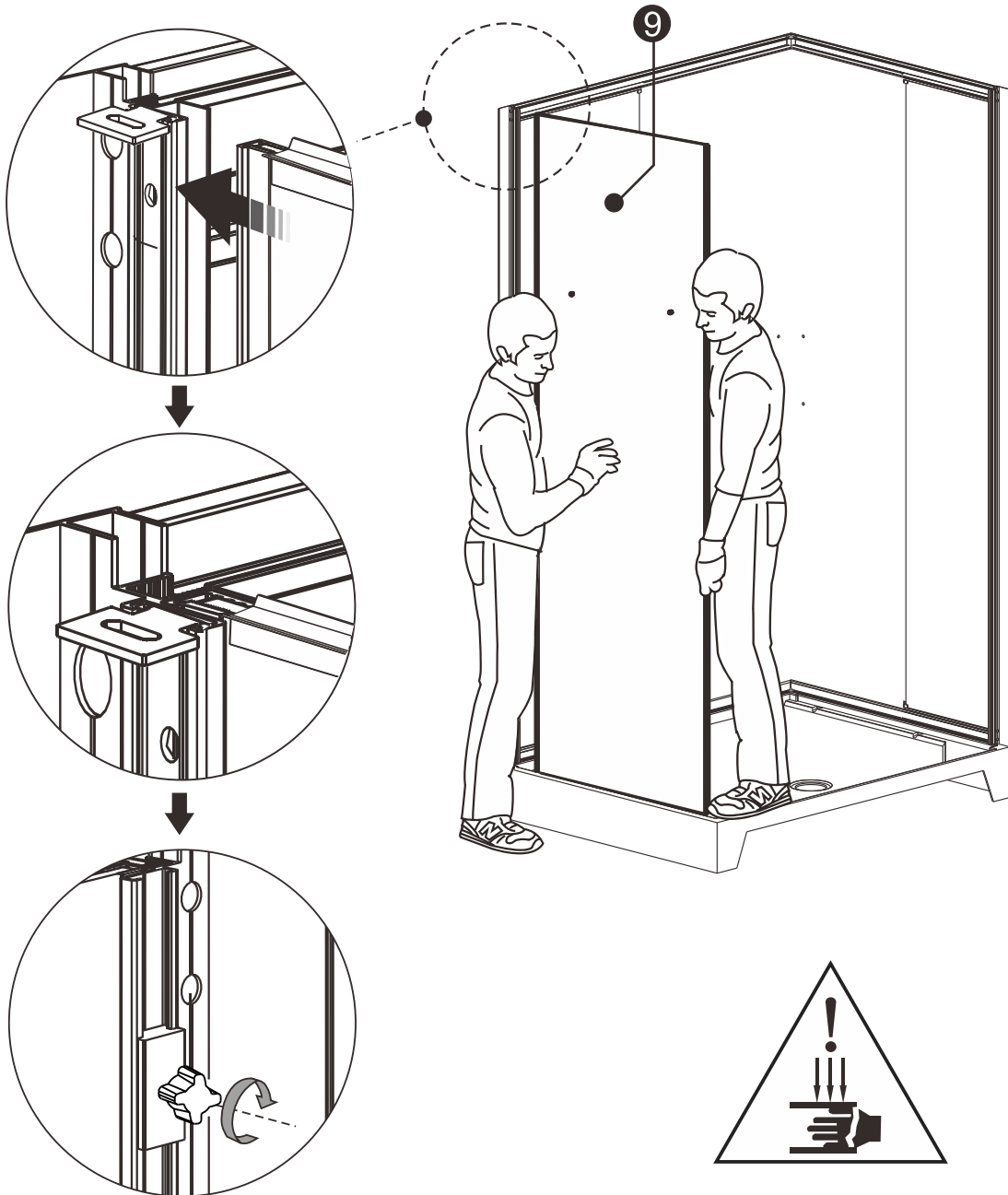
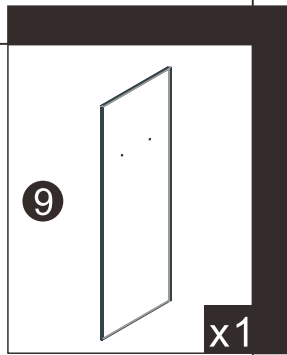
L1		A6	 M6X10mm	X4
		K	Ka 	X2
			Kb 	X2
				

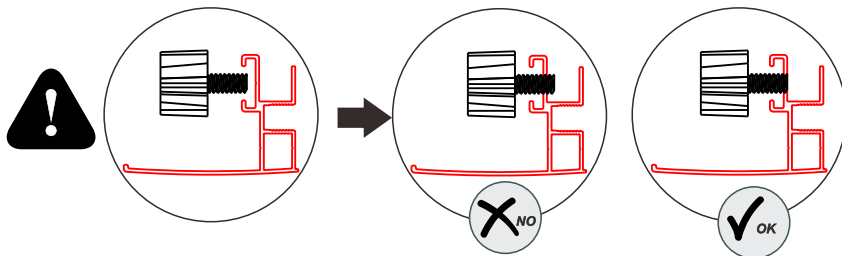
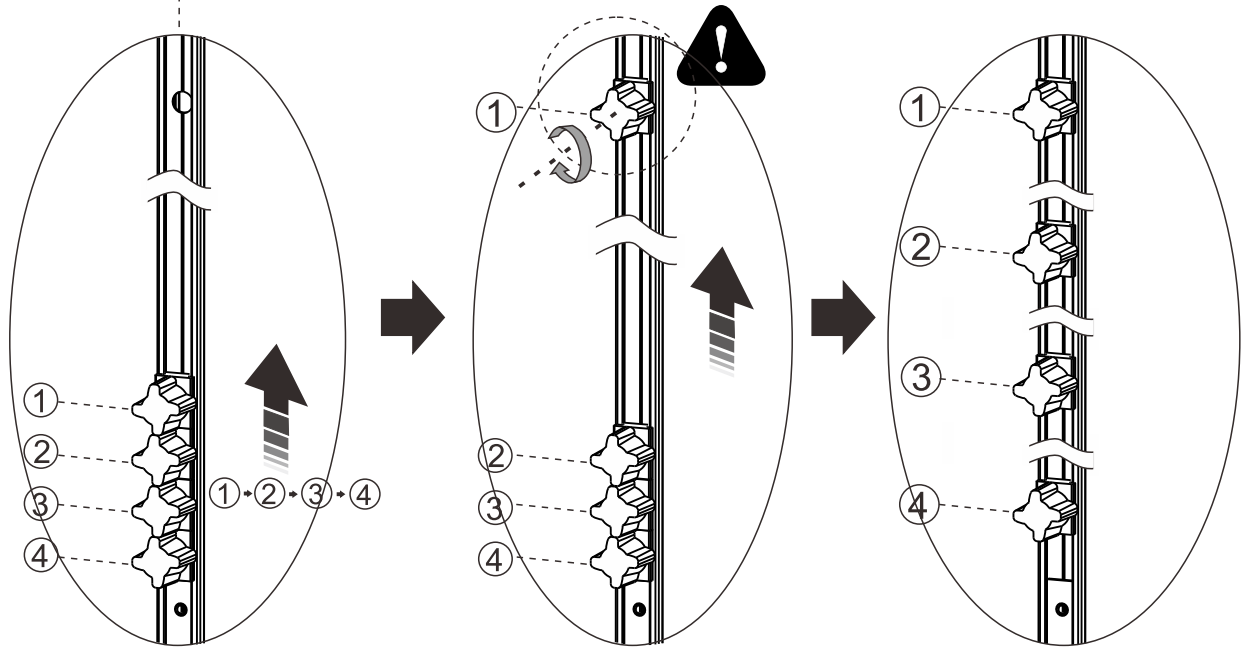
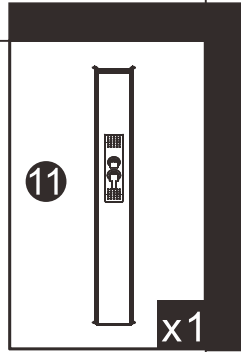
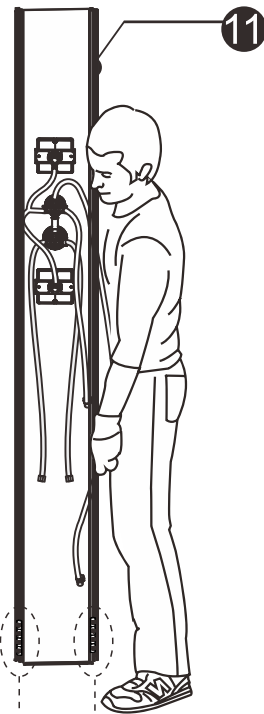


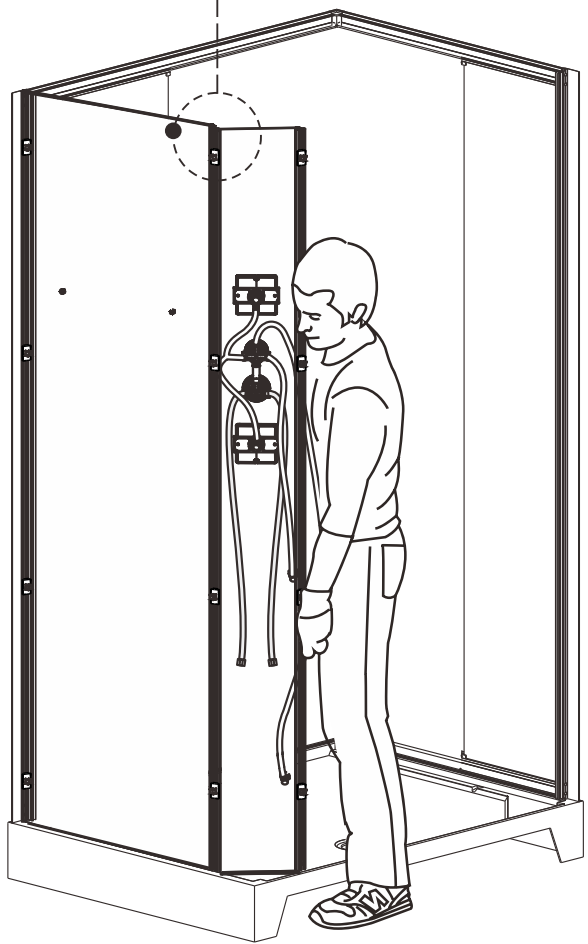
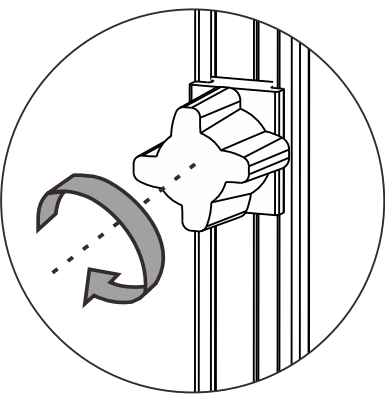
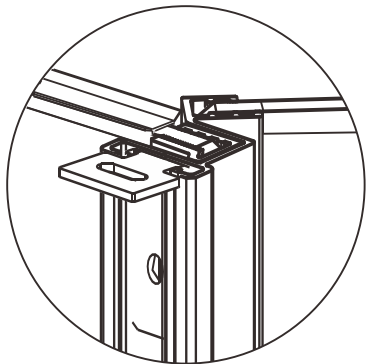
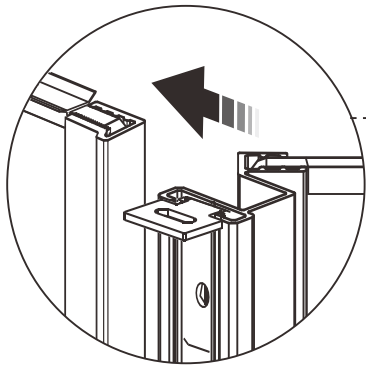
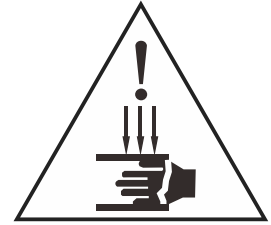
25



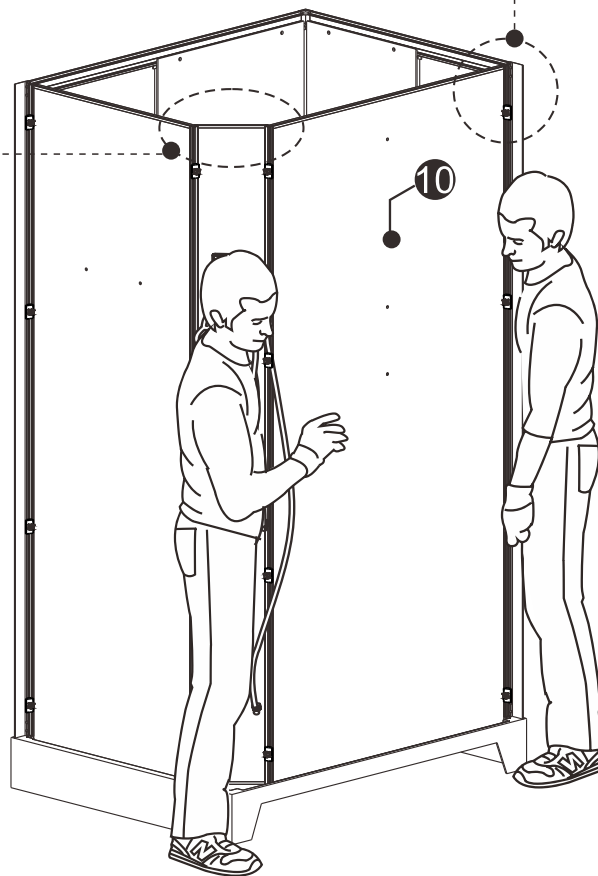
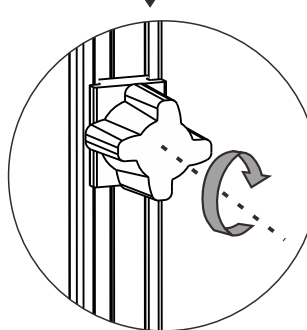
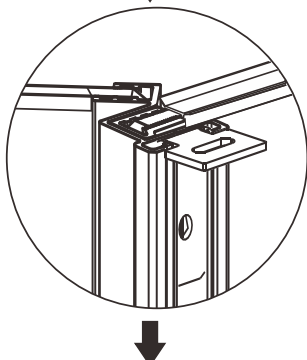
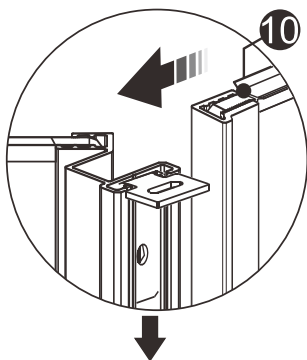
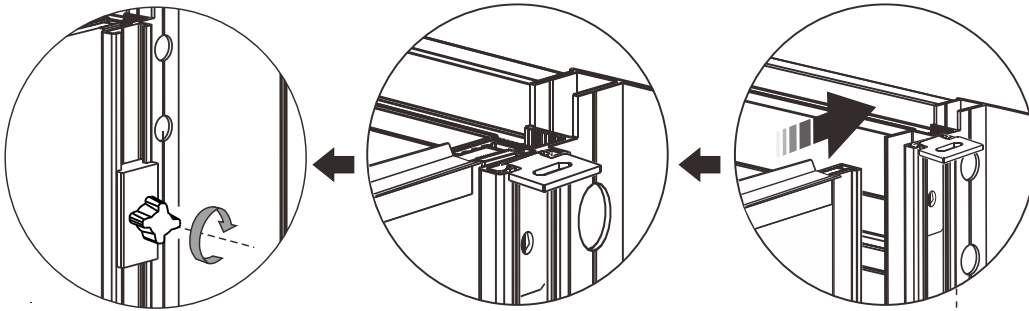
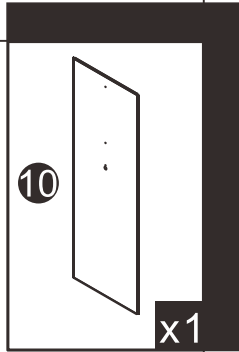
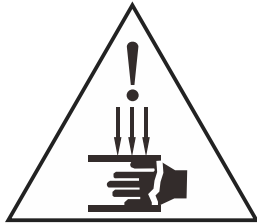








30

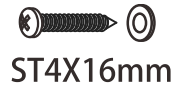


31

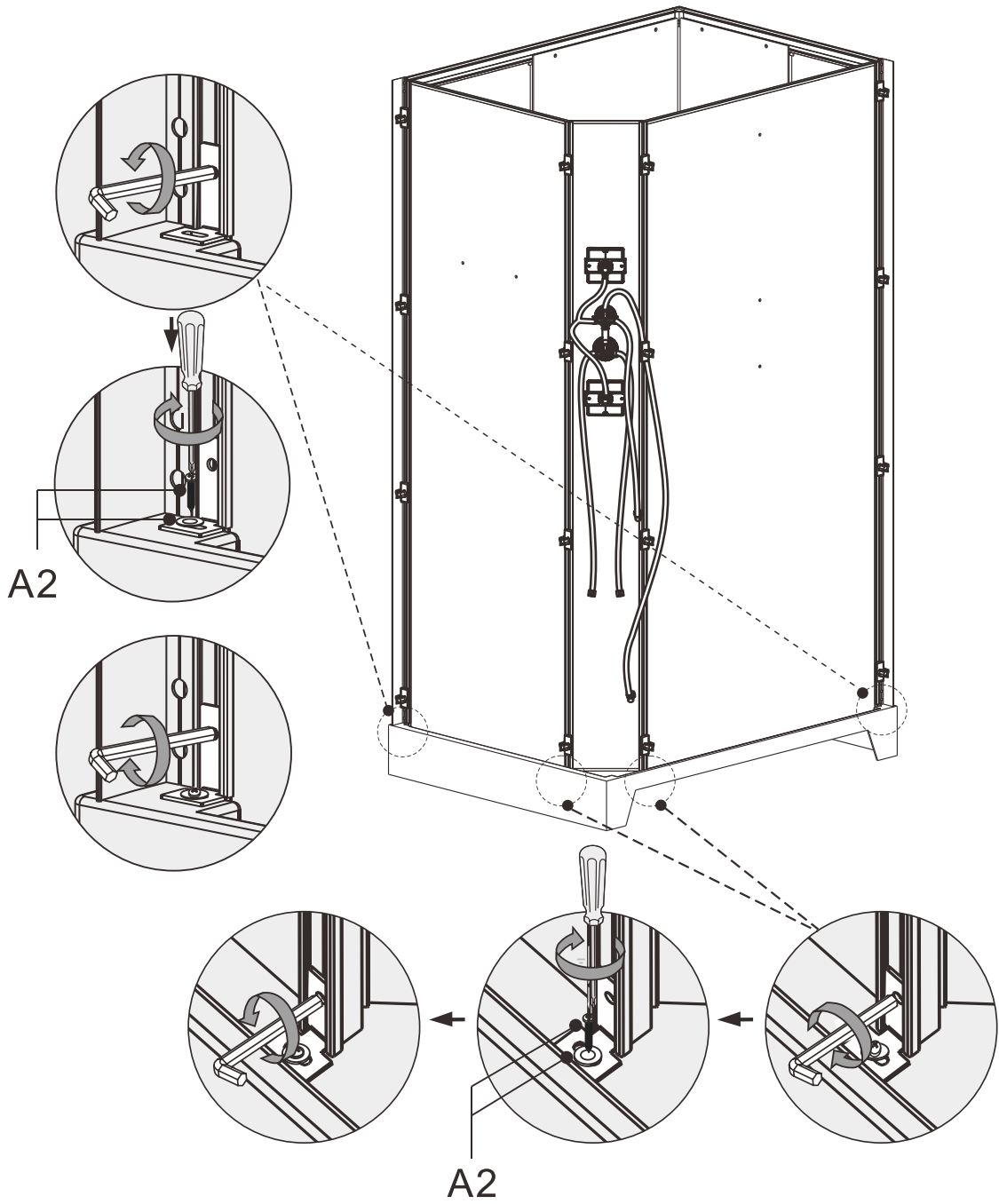


x1

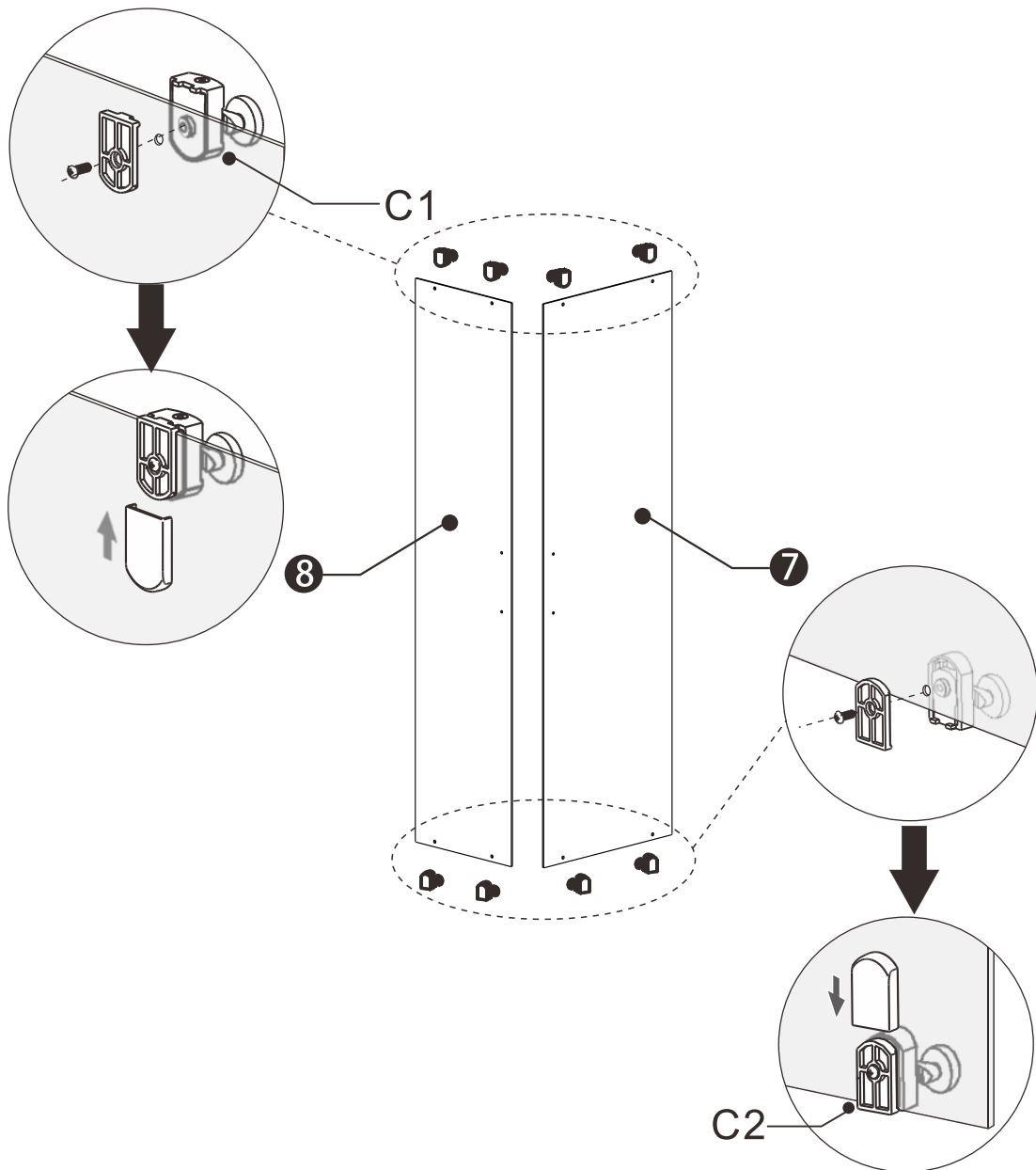
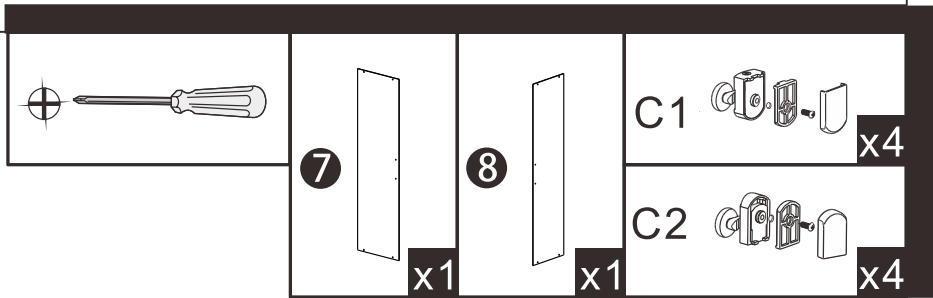
A2

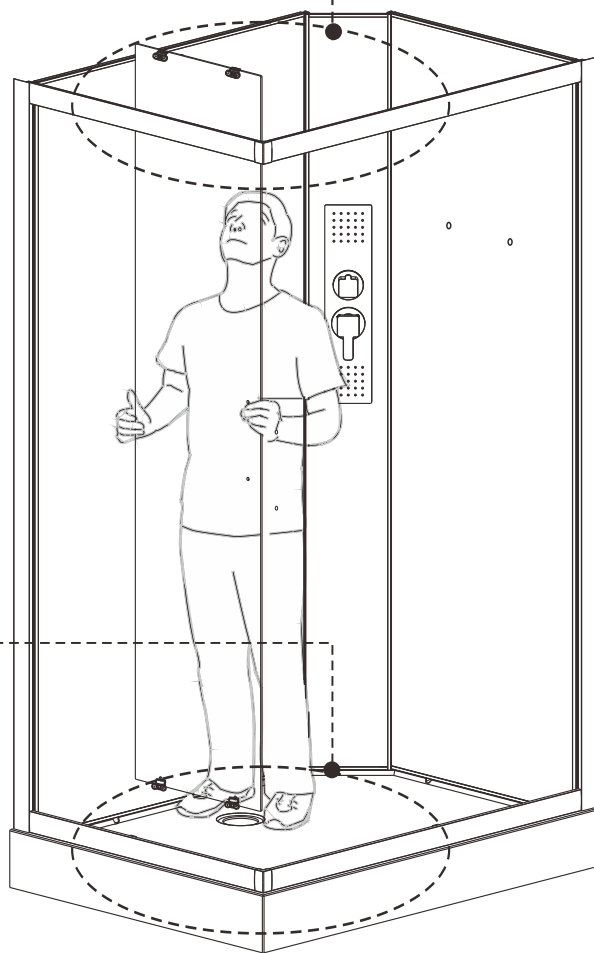
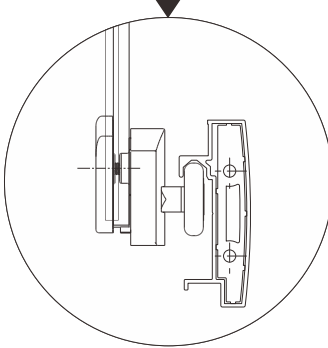
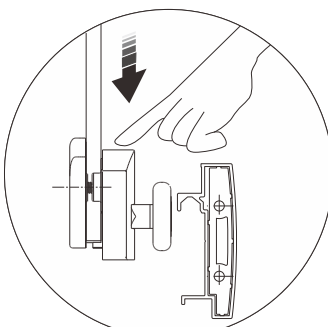
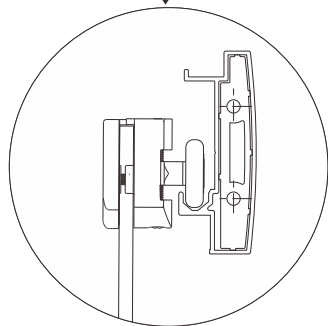
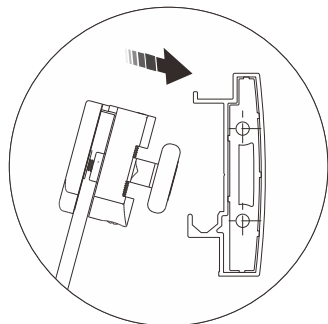


x4



32





34

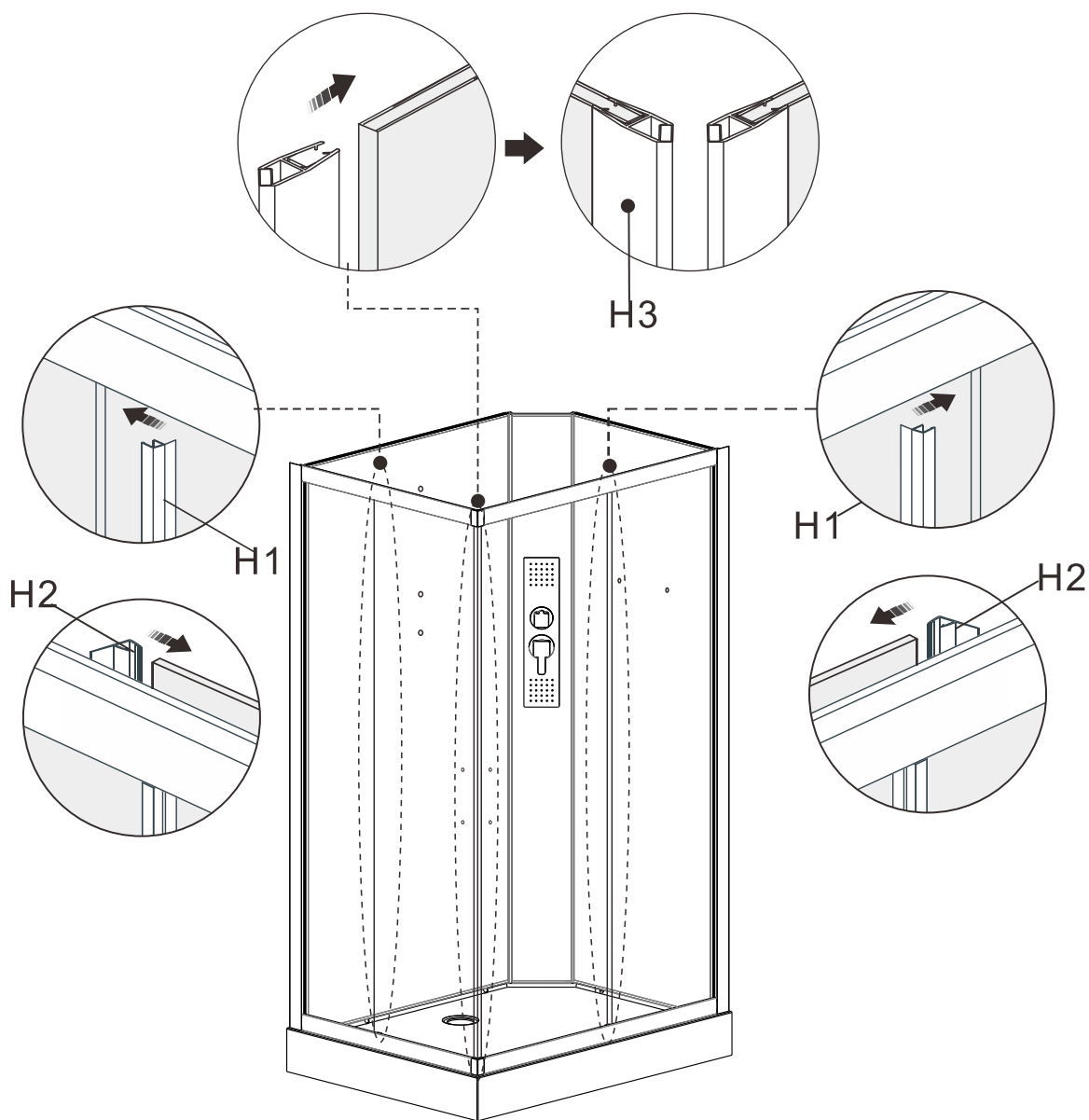
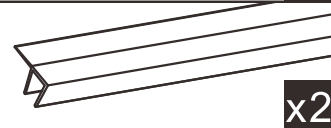
H3





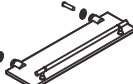





H1

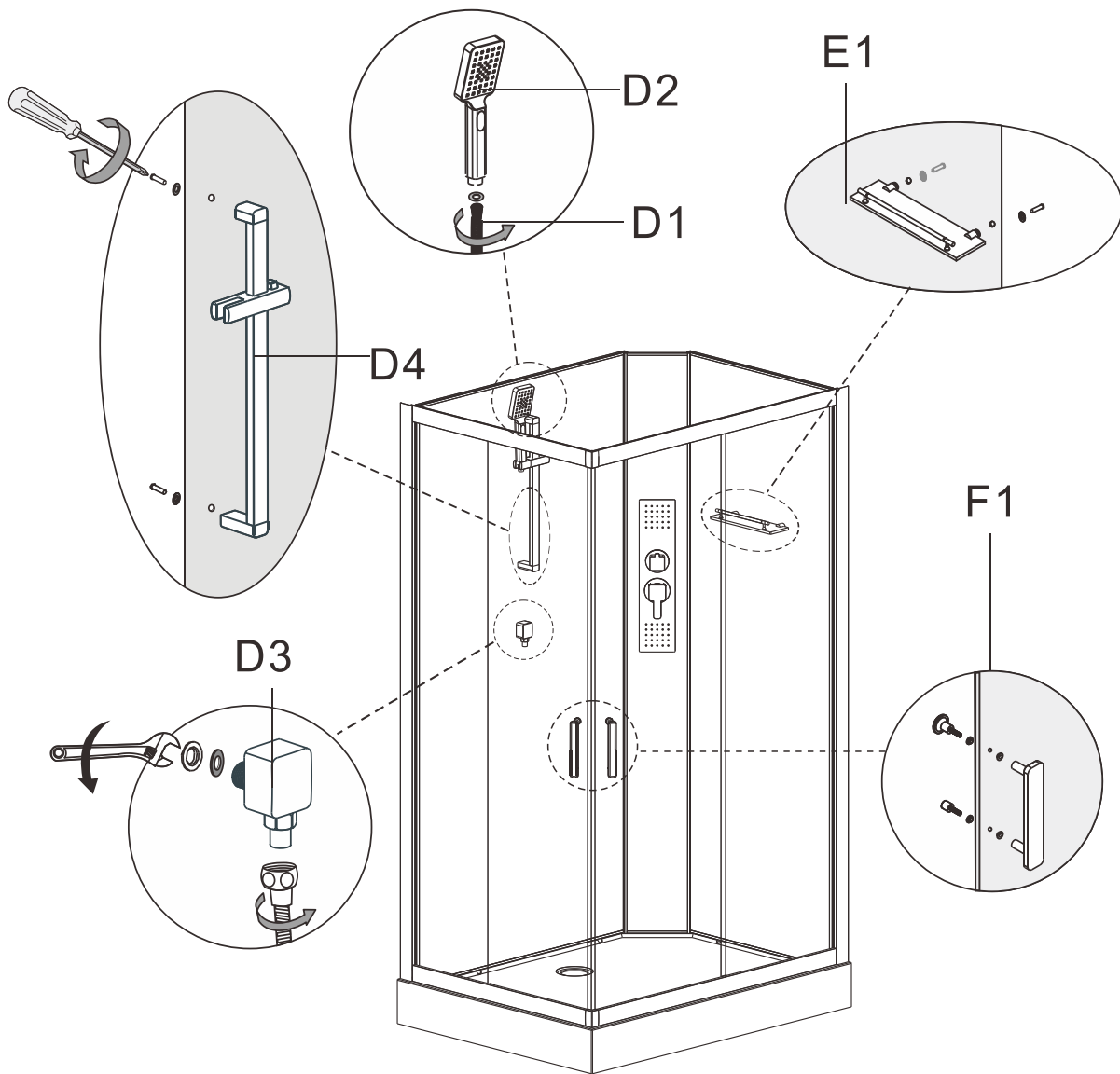











H2

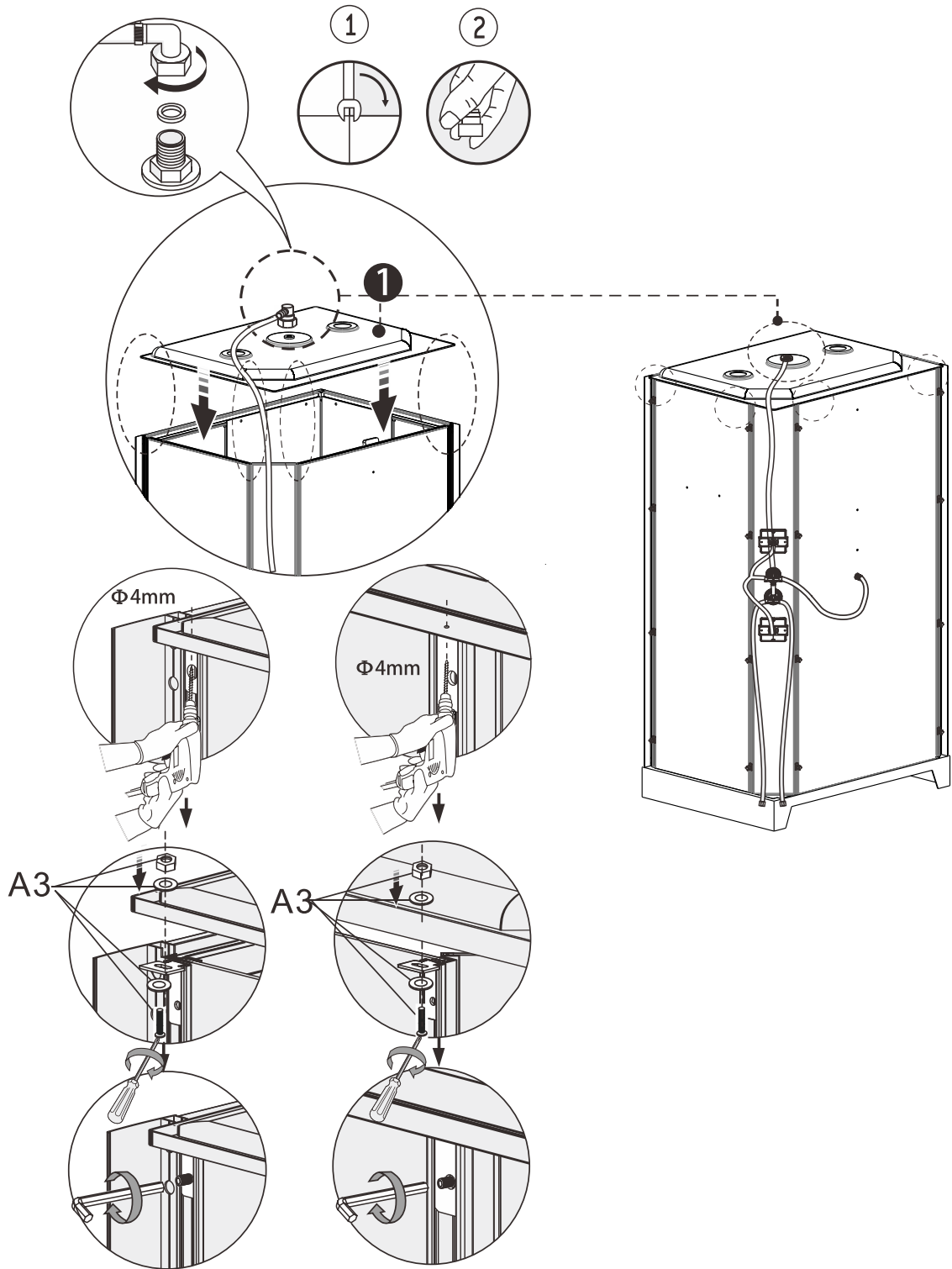


35





	D1  x1	E1  x1	F1  x2
	D2  x1	D3  x1	D4  x1

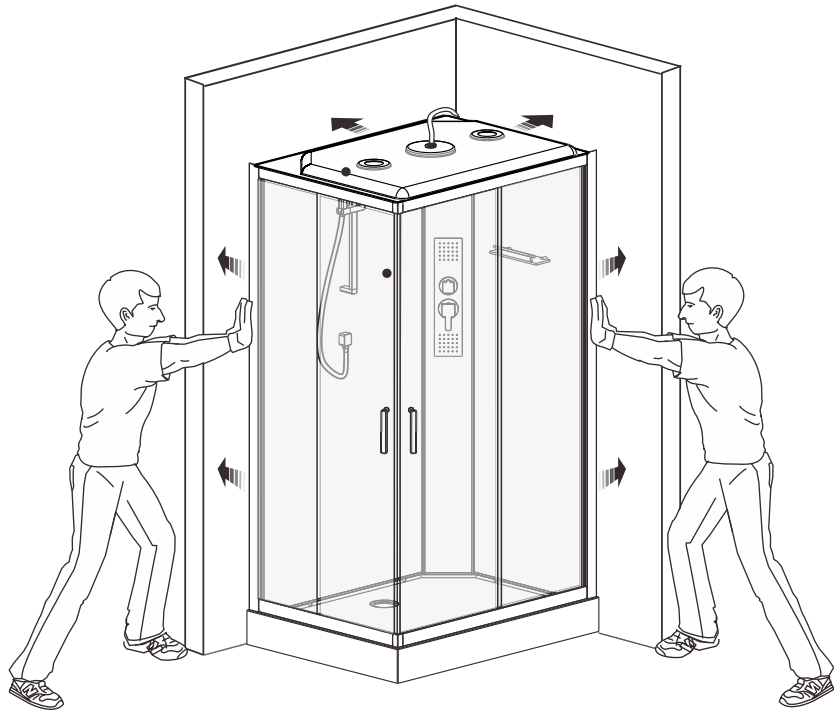
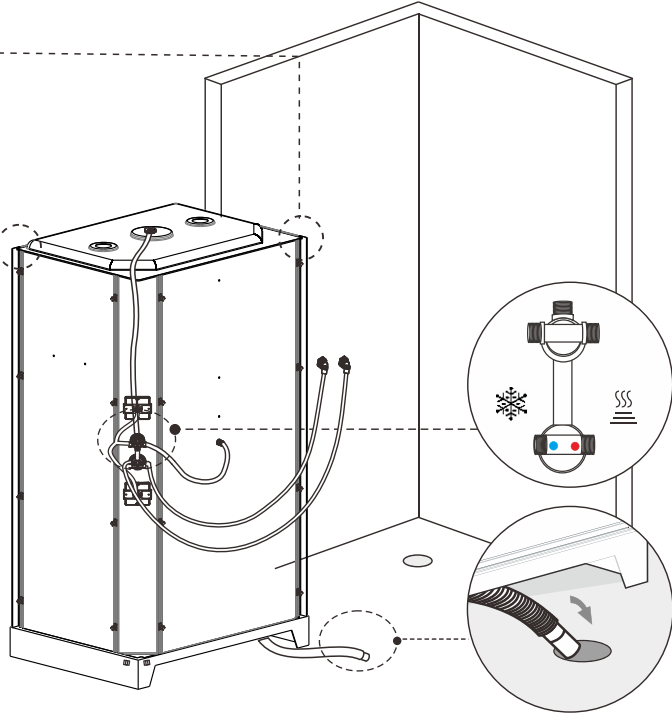
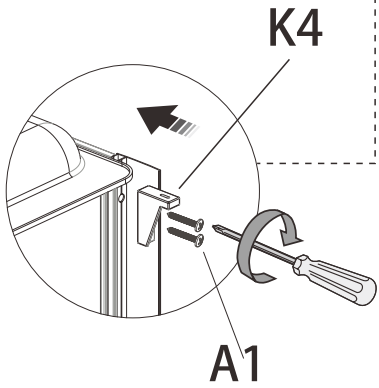
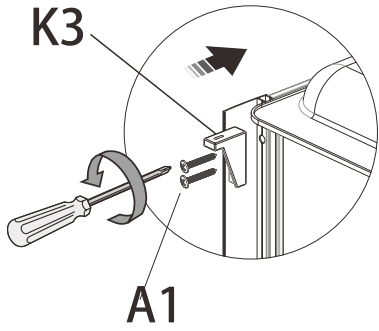


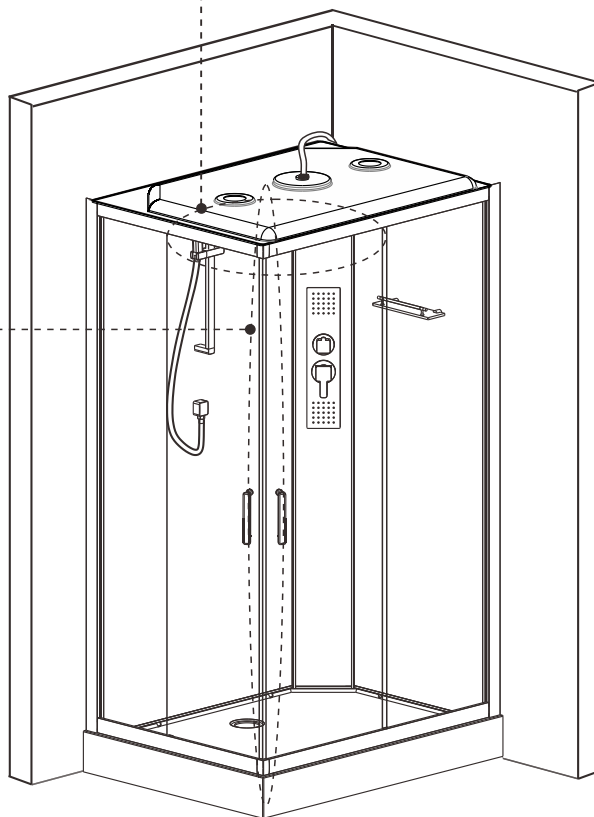
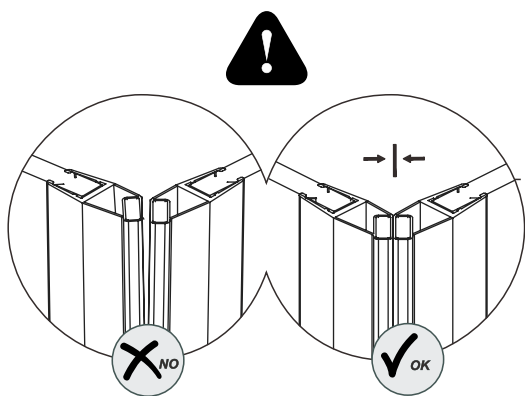
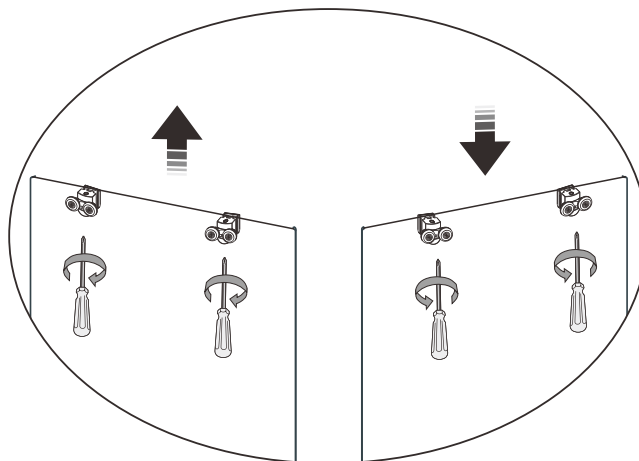
	J1  x1	1  x1
 $\Phi 4\text{mm}$ 	A3    	M4x16mm x4




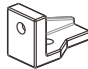


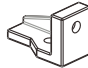





37

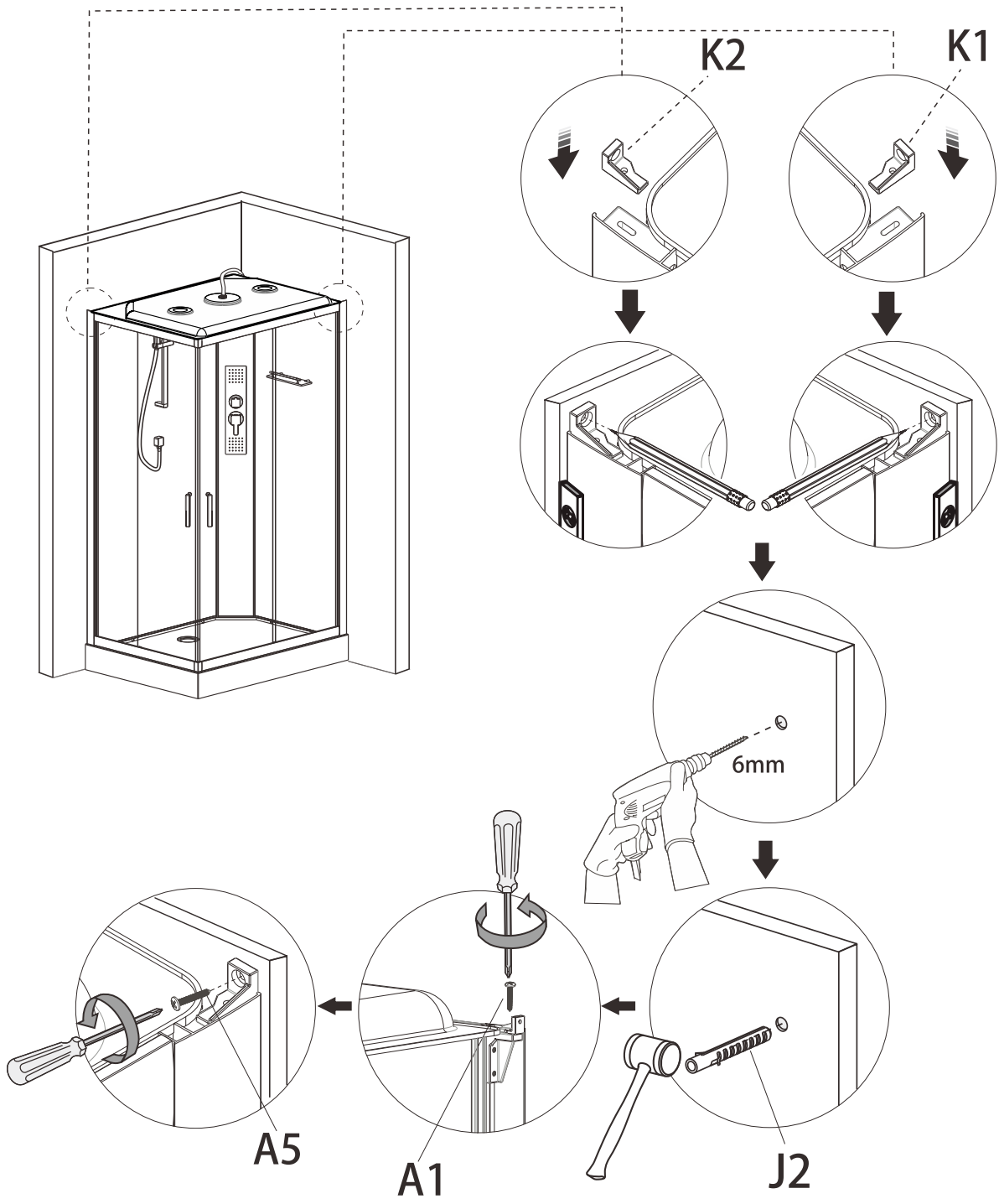
A1	 ST4X12mm	x4	K3		x1
			K4		x1





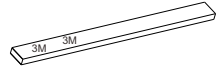
39

	K1  x1	J2  x2
	K2  x1	A1  ST4X12mm x2
	 $\Phi 6\text{mm}$ 	A5  ST4X30mm x2

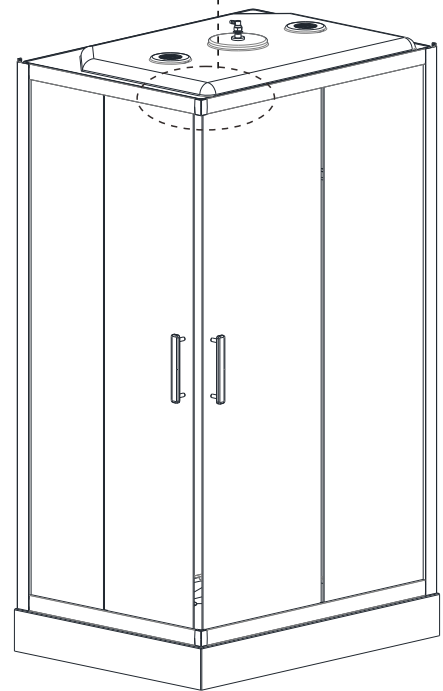
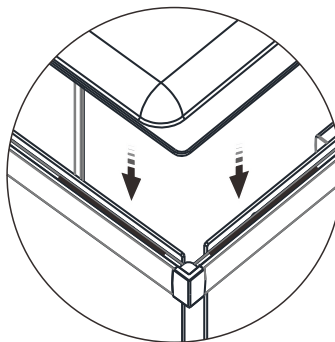
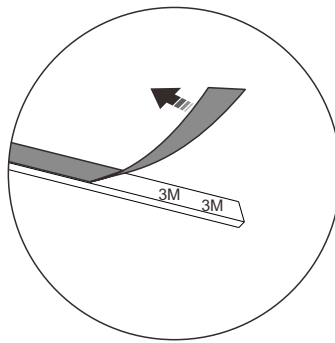
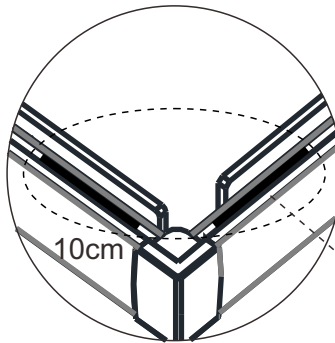
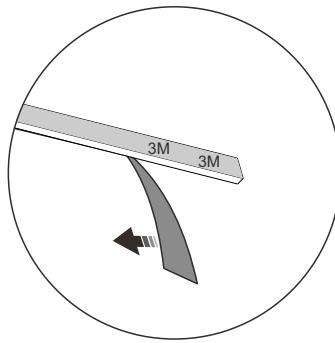
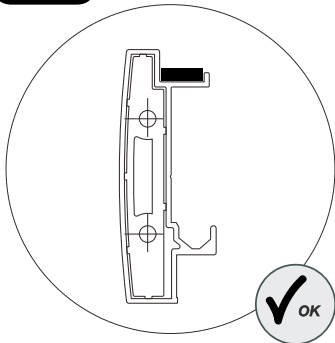


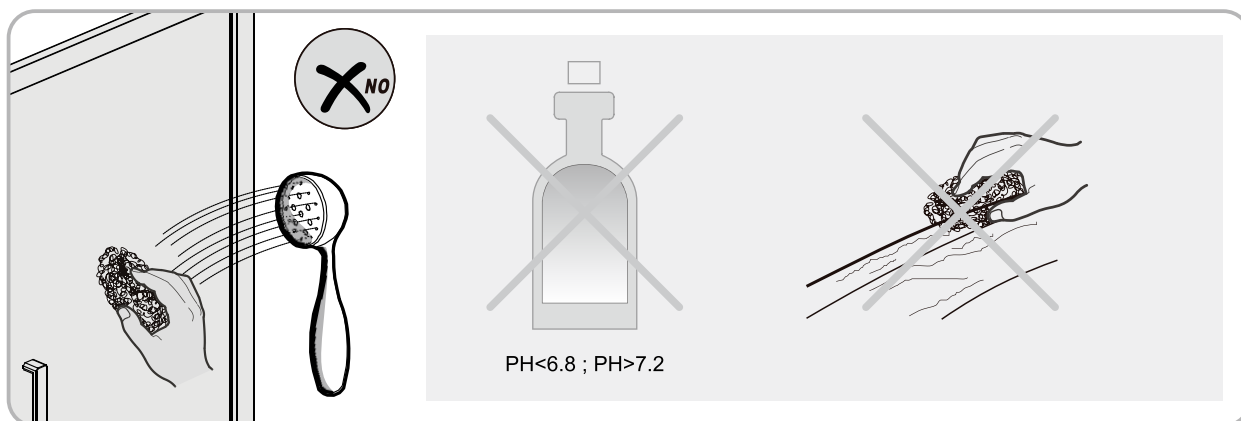
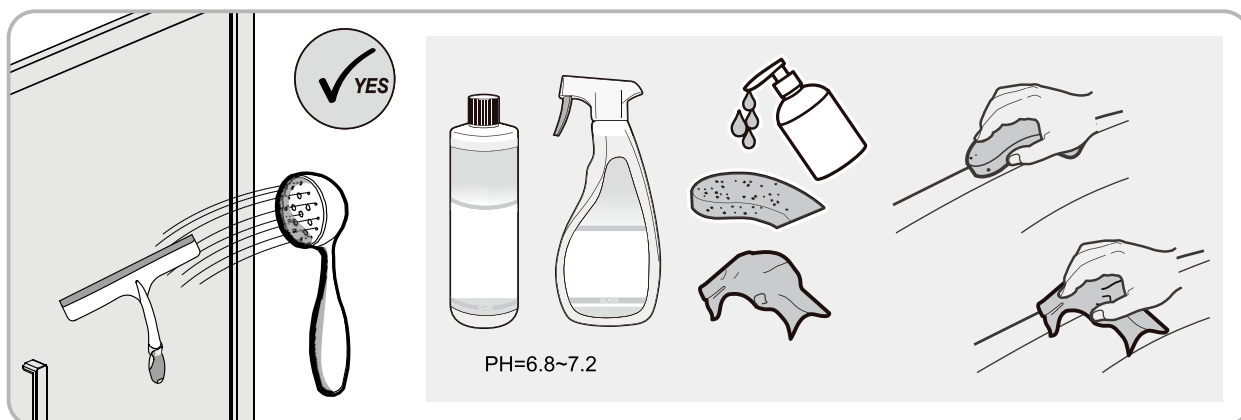
40

L



x2





CONDITIONS DE GARANTIE : Reportez-vous au livret de garantie Lapeyre, disponible aussi sur le site www.lapeyre.fr

LAPEYRE SA
Les miroirs, 18 avenue d'Alsace
92400 Courbevoie RCS Nanterre n°542 020 862
Service Clients : BP 149 93300 Aubervilliers Cedex