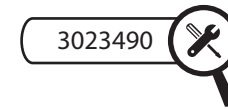
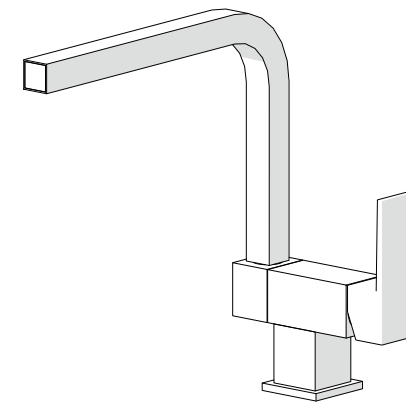


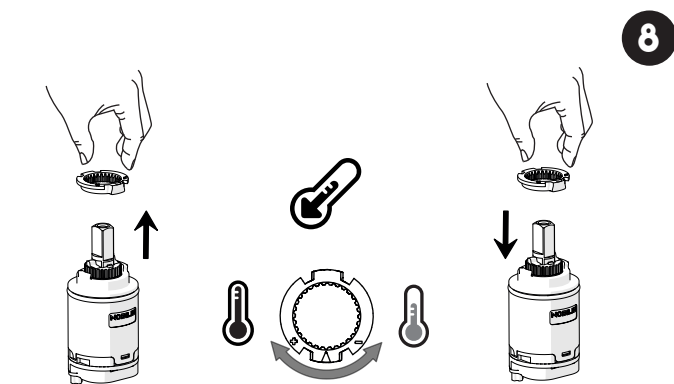
**NOBILIS®**  
The Best Technology for Water



IISTRSF00114#C01826

[www.grupponobili.it](http://www.grupponobili.it)

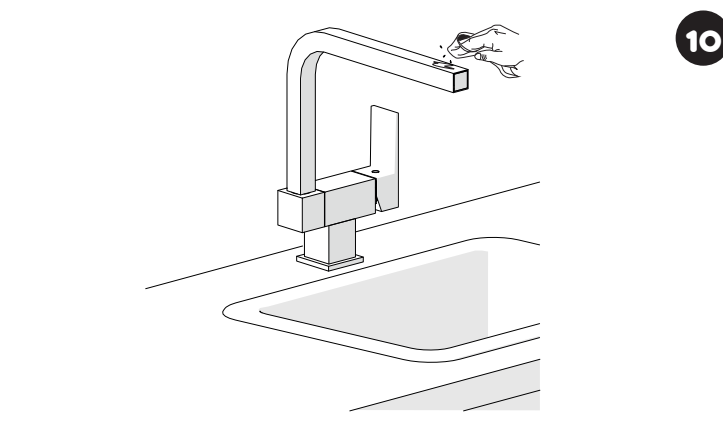
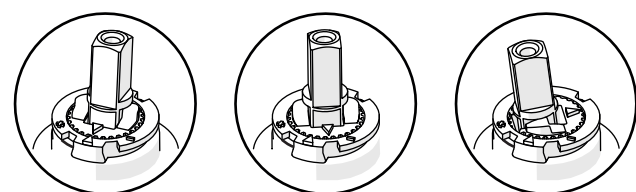
REV2.05/2014



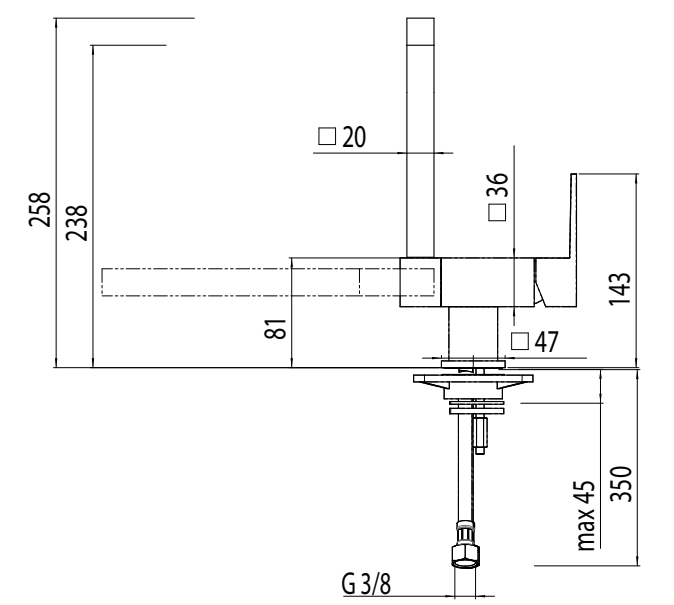
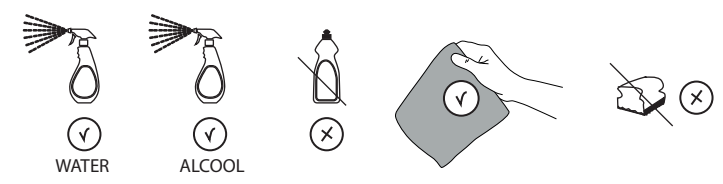
No limitation of temperature

Partial limitation of temperature

Maximum position Only cold water



**CLEANING**



	<b>P</b>	P bar	0.5 MIN.	MAX 10		5			<b>T</b>	T °C	MAX -80	MIN -45	
--	----------	-------	----------	--------	--	---	--	--	----------	------	---------	---------	--

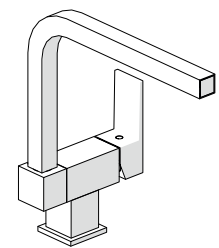


+



+

Not included / Non incluso / Non inclus / Nie zawarty / No incluido / Não incluido



A

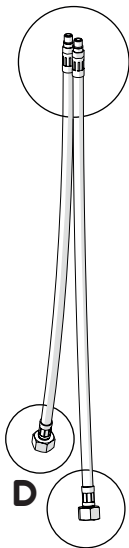


C1

C

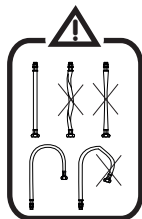
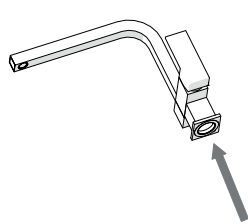


B

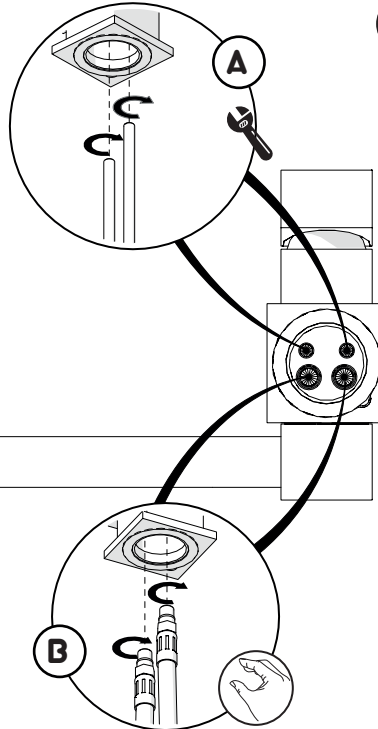


D

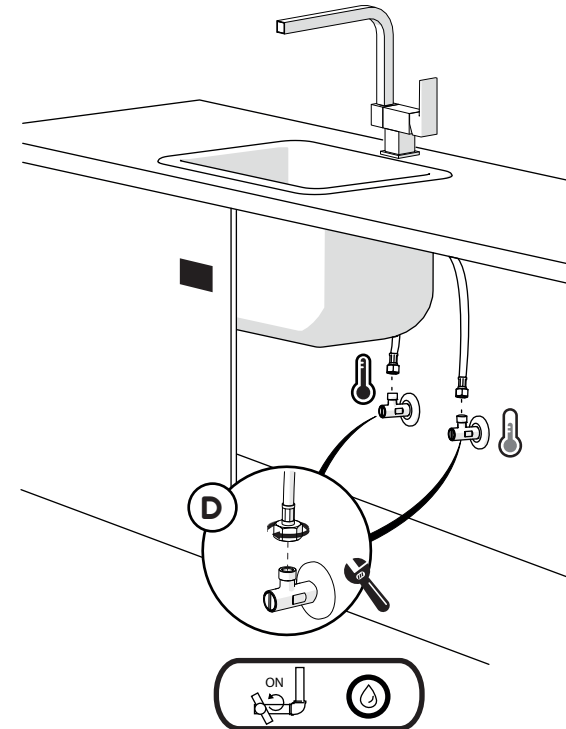
1



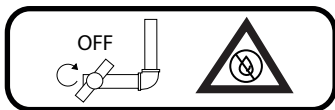
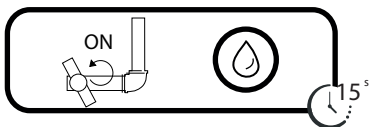
3



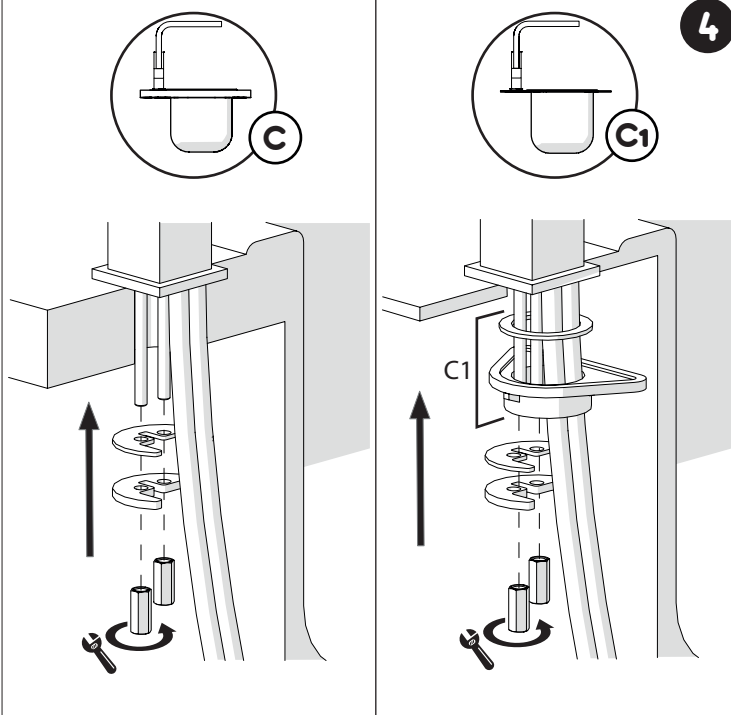
5



2



4



6

