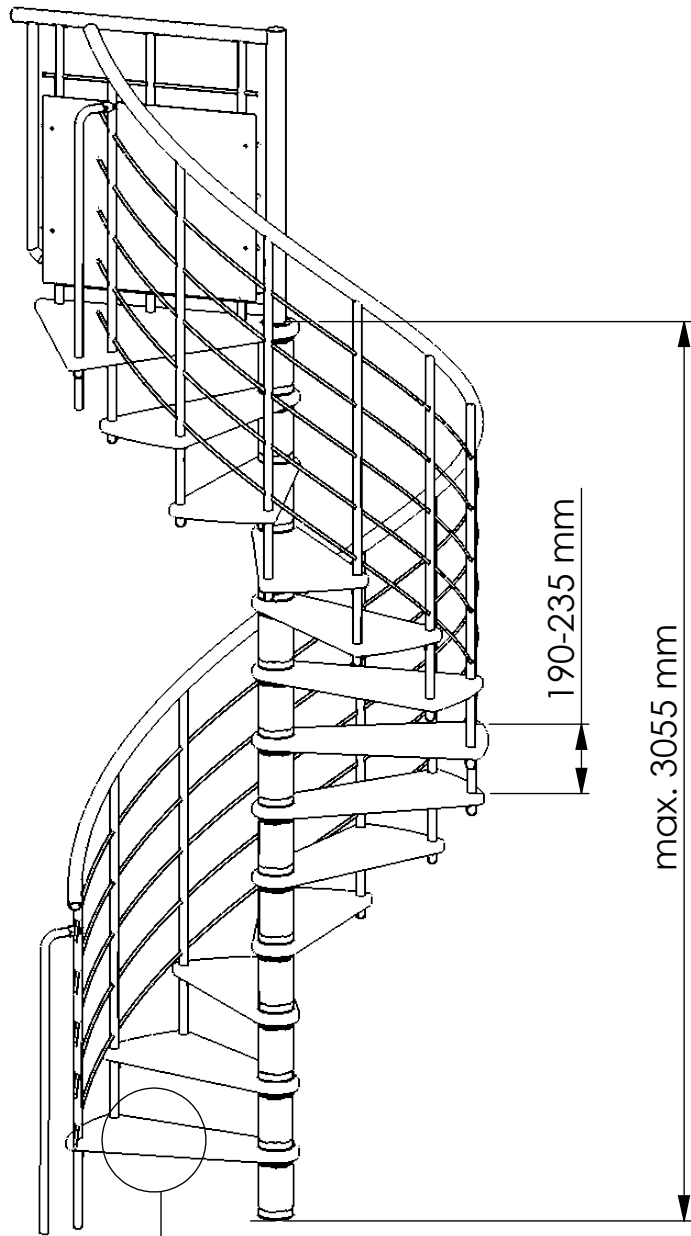


| | 9 | 10 | 11 | 12 | 13 |
|-------|--------|--------|--------|--------|--------|
| H min | 1755mm | 1950mm | 2145mm | 2340mm | 2535mm |
| H max | 2115mm | 2350mm | 2585mm | 2820mm | 3055mm |





Information sur le stockage et la mise en œuvre des escaliers

Escalier à usage intérieur, pour maison individuelle à trafic faible.

1. Influence de l'environnement, mesures de protection

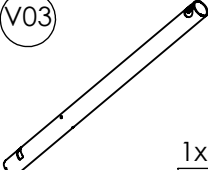

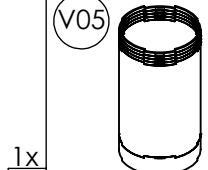
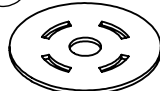
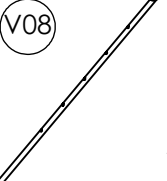
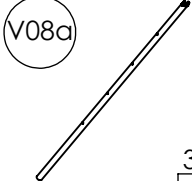
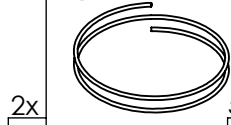
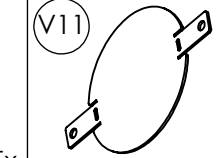
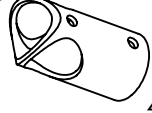
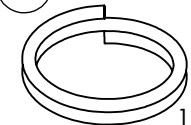
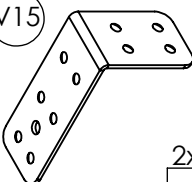
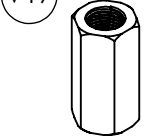
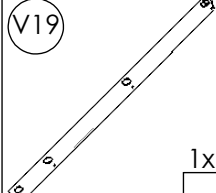








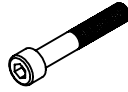
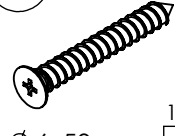
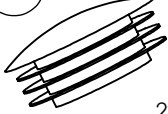


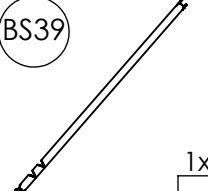



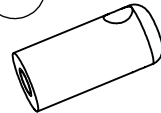
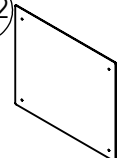

- Les escaliers préfabriqués seront entreposés dans un endroit protégé et aéré, maintenant une température et une hygrométrie constantes.
- Les escaliers sont prévus pour un milieu sec, c'est-à-dire une température de 20°C et une humidité relative ambiante ne dépassant pas 65%.
- L'escalier doit être protégé avant la pose, dans les 15 jours suivants la date d'achat, et entretenu avec un vernis vitrificateur.

2. Mise en œuvre

- Les escaliers doivent être mis en œuvre dans une pièce saine, sèche (plâtre et dalle secs), ventilée, sur sol sec et fini, ainsi que d'éviter les contacts avec des matériaux humides.
- Les escaliers ne peuvent en aucun cas être placés lorsque les conditions sont de nature à risquer le voilement ou le retrait des parties en bois de l'escalier.
- La mise en œuvre des escaliers doit suivre les normes et réglementations applicables, et en particulier le DTU en vigueur NF DTU 36-3 Travaux de bâtiment — Escaliers en bois et garde-corps associés.
- Le respect de ces normes implique que la pose d'un escalier n'est pas un acte anodin, par conséquent le poseur doit être de préférence un professionnel ou bien un bricoleur averti, rompu à la mise en œuvre des menuiseries.
- La personne ayant la charge de la pose veillera à ce que, après leur mise en œuvre, les escaliers soient dûment protégés contre les dégradations et l'encrassement pendant la durée des travaux de construction.

3. Utilisation

- L'escalier doit être utilisé normalement et sans avoir subi de modifications.
- Toute conséquence d'une mise en œuvre de nos produits sur un chantier qui ne respecte pas ces spécifications ne saurait nous être imputée.

| | | | | | |
|--|---|---|--|--|---|
|  V01 1x |  V02 12x |  V03 Ø 60 x 1000x4 mm 1x |  V04 1x |  V05 Ø 108x200 mm 13x |  V06 Ø 115 x 3 mm 26x |
|  V07 Ø 100 x 3 mm 1x |  V08 Ø 22x2x1275 mm 13x |  V08a Ø 22x2x1030 mm 3x |  V09 Ø 22x1x913+170mm 2x |  V10 Ø 6x1x6000mm 5x |  V11 Ø 60 mm 1x |
|  V12 Ø 28x2x50 mm 4x |  V13 Ø 40x3x6000mm 1x |  V14 Ø 40x2x975 mm 1x |  V15 2x |  V16 M20 x 1000 mm 4x |  V17 M20 DIN 6334 4x |
|  V19 1x |  V20 29x |  V21 Ø 5 x 30 mm 58x |  V22 Ø 6 x 12 mm 20x |  V23 Ø 12 mm 4x |  V24 Ø 8 mm 14x |
|  V25 Ø 4,2 x 19 mm 49x |  V26 M5 DIN 9021 2x |  V27 M20 DIN-EN 24035 13x |  V28 Ø 22 mm 16x |  V29 2x |  V30 Ø 4x50mm 2x |
|  V31 M8x50 mm 4x |  V32 Ø 6x50mm 12x |  V33 Ø 6x30mm 8x |  V34 Ø 6 mm 2x |  V35 Ø 40 mm 1x |  V36 Ø 40 mm 2x |
|  V37 Ø 4x25mm 26x |  V38 M8x20mm 3x |  BS39 1x |  BS40 1x |  BS41 1x |  BS42 M8 x 35 mm 1x |
|  BS43 M8 1x |  V60 M6 x 14 mm 4x |  V61 4x |  V62 1x |  kit de retouche | |

3



Montage

• Porter des gants.

• Les fixations pour sol et dalle fournies sont à adapter en fonction du type de support

| | h | V05a | V05b |
|-----|--------|------|------|
| h1 | 190 mm | 0x | 0x |
| h2 | 195 mm | 1x | 0x |
| h3 | 200 mm | 2x | 0x |
| h4 | 205 mm | 3x | 0x |
| h5 | 210 mm | 4x | 0x |
| h6 | 215 mm | 0x | 1x |
| h7 | 220 mm | 1x | 1x |
| h8 | 225 mm | 2x | 1x |
| h9 | 230 mm | 3x | 1x |
| h10 | 235 mm | 4x | 1x |

12 marches et 1 plateforme

| H [mm] | h1 | h2 |
|--------|-----|-----|
| 2470 | 13x | |
| 2475 | 12x | 1x |
| 2480 | 11x | 2x |
| 2485 | 10x | 3x |
| 2490 | 9x | 4x |
| 2495 | 8x | 5x |
| 2500 | 7x | 6x |
| 2505 | 6x | 7x |
| 2510 | 5x | 8x |
| 2515 | 4x | 9x |
| 2520 | 3x | 10x |
| 2525 | 2x | 11x |
| 2530 | 1x | 12x |

| H [mm] | h2 | h3 |
|--------|-----|-----|
| 2535 | 13x | |
| 2540 | 12x | 1x |
| 2545 | 11x | 2x |
| 2550 | 10x | 3x |
| 2555 | 9x | 4x |
| 2560 | 8x | 5x |
| 2565 | 7x | 6x |
| 2570 | 6x | 7x |
| 2575 | 5x | 8x |
| 2580 | 4x | 9x |
| 2585 | 3x | 10x |
| 2590 | 2x | 11x |
| 2595 | 1x | 12x |

| H [mm] | h3 | h4 |
|--------|-----|-----|
| 2600 | 13x | |
| 2605 | 12x | 1x |
| 2610 | 11x | 2x |
| 2615 | 10x | 3x |
| 2620 | 9x | 4x |
| 2625 | 8x | 5x |
| 2630 | 7x | 6x |
| 2635 | 6x | 7x |
| 2640 | 5x | 8x |
| 2645 | 4x | 9x |
| 2650 | 3x | 10x |
| 2655 | 2x | 11x |
| 2660 | 1x | 12x |

| H [mm] | h4 | h5 |
|--------|-----|-----|
| 2665 | 13x | |
| 2670 | 12x | 1x |
| 2675 | 11x | 2x |
| 2680 | 10x | 3x |
| 2685 | 9x | 4x |
| 2690 | 8x | 5x |
| 2695 | 7x | 6x |
| 2700 | 6x | 7x |
| 2705 | 5x | 8x |
| 2710 | 4x | 9x |
| 2715 | 3x | 10x |
| 2720 | 2x | 11x |
| 2725 | 1x | 12x |

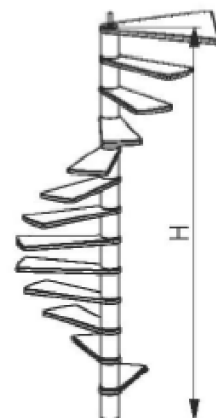
| H [mm] | h5 | h6 |
|--------|-----|-----|
| 2730 | 13x | |
| 2735 | 12x | 1x |
| 2740 | 11x | 2x |
| 2745 | 10x | 3x |
| 2750 | 9x | 4x |
| 2755 | 8x | 5x |
| 2760 | 7x | 6x |
| 2765 | 6x | 7x |
| 2770 | 5x | 8x |
| 2775 | 4x | 9x |
| 2780 | 3x | 10x |
| 2785 | 2x | 11x |
| 2790 | 1x | 12x |

| H [mm] | h6 | h7 |
|--------|-----|-----|
| 2795 | 13x | |
| 2800 | 12x | 1x |
| 2805 | 11x | 2x |
| 2810 | 10x | 3x |
| 2815 | 9x | 4x |
| 2820 | 8x | 5x |
| 2825 | 7x | 6x |
| 2830 | 6x | 7x |
| 2835 | 5x | 8x |
| 2840 | 4x | 9x |
| 2845 | 3x | 10x |
| 2850 | 2x | 11x |
| 2855 | 1x | 12x |

| H [mm] | h7 | h8 |
|--------|-----|-----|
| 2860 | 13x | |
| 2865 | 12x | 1x |
| 2870 | 11x | 2x |
| 2875 | 10x | 3x |
| 2880 | 9x | 4x |
| 2885 | 8x | 5x |
| 2890 | 7x | 6x |
| 2895 | 6x | 7x |
| 2900 | 5x | 8x |
| 2905 | 4x | 9x |
| 2910 | 3x | 10x |
| 2915 | 2x | 11x |
| 2920 | 1x | 12x |

| H [mm] | h8 | h9 |
|--------|-----|-----|
| 2925 | 13x | |
| 2930 | 12x | 1x |
| 2935 | 11x | 2x |
| 2940 | 10x | 3x |
| 2945 | 9x | 4x |
| 2950 | 8x | 5x |
| 2955 | 7x | 6x |
| 2960 | 6x | 7x |
| 2965 | 5x | 8x |
| 2970 | 4x | 9x |
| 2975 | 3x | 10x |
| 2980 | 2x | 11x |
| 2985 | 1x | 12x |

| H [mm] | h9 | h10 |
|--------|-----|-----|
| 2990 | 13x | |
| 2995 | 12x | 1x |
| 3000 | 11x | 2x |
| 3005 | 10x | 3x |
| 3010 | 9x | 4x |
| 3015 | 8x | 5x |
| 3020 | 7x | 6x |
| 3025 | 6x | 7x |
| 3030 | 5x | 8x |
| 3035 | 4x | 9x |
| 3040 | 3x | 10x |
| 3045 | 2x | 11x |
| 3050 | 1x | 12x |
| 3055 | | 13x |



| | h | V05a | V05b |
|-----|--------|------|------|
| h1 | 190 mm | 0x | 0x |
| h2 | 195 mm | 1x | 0x |
| h3 | 200 mm | 2x | 0x |
| h4 | 205 mm | 3x | 0x |
| h5 | 210 mm | 4x | 0x |
| h6 | 215 mm | 0x | 1x |
| h7 | 220 mm | 1x | 1x |
| h8 | 225 mm | 2x | 1x |
| h9 | 230 mm | 3x | 1x |
| h10 | 235 mm | 4x | 1x |

11 marches et 1 plateforme

| H [mm] | h1 | h2 |
|--------|-----|-----|
| 2280 | 12x | |
| 2285 | 11x | 1x |
| 2290 | 10x | 2x |
| 2295 | 9x | 3x |
| 2300 | 8x | 4x |
| 2305 | 7x | 5x |
| 2310 | 6x | 6x |
| 2315 | 5x | 7x |
| 2320 | 4x | 8x |
| 2325 | 3x | 9x |
| 2330 | 2x | 10x |
| 2335 | 1x | 11x |

| H [mm] | h2 | h3 |
|--------|-----|-----|
| 2340 | 12x | |
| 2345 | 11x | 1x |
| 2350 | 10x | 2x |
| 2355 | 9x | 3x |
| 2360 | 8x | 4x |
| 2365 | 7x | 5x |
| 2370 | 6x | 6x |
| 2375 | 5x | 7x |
| 2380 | 4x | 8x |
| 2385 | 3x | 9x |
| 2390 | 2x | 10x |
| 2395 | 1x | 11x |

| H [mm] | h3 | h4 |
|--------|-----|-----|
| 2400 | 12x | |
| 2405 | 11x | 1x |
| 2410 | 10x | 2x |
| 2415 | 9x | 3x |
| 2420 | 8x | 4x |
| 2425 | 7x | 5x |
| 2430 | 6x | 6x |
| 2435 | 5x | 7x |
| 2440 | 4x | 8x |
| 2445 | 3x | 9x |
| 2450 | 2x | 10x |
| 2455 | 1x | 11x |

| H [mm] | h4 | h5 |
|--------|-----|-----|
| 2460 | 12x | |
| 2465 | 11x | 1x |
| 2470 | 10x | 2x |
| 2475 | 9x | 3x |
| 2480 | 8x | 4x |
| 2485 | 7x | 5x |
| 2490 | 6x | 6x |
| 2495 | 5x | 7x |
| 2500 | 4x | 8x |
| 2505 | 3x | 9x |
| 2510 | 2x | 10x |
| 2515 | 1x | 11x |

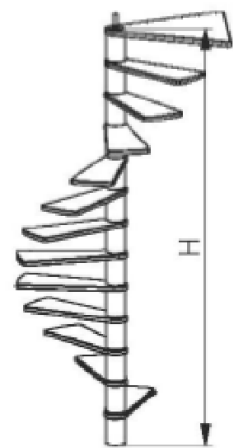
| H [mm] | h5 | h6 |
|--------|-----|-----|
| 2520 | 12x | |
| 2525 | 11x | 1x |
| 2530 | 10x | 2x |
| 2535 | 9x | 3x |
| 2540 | 8x | 4x |
| 2545 | 7x | 5x |
| 2550 | 6x | 6x |
| 2555 | 5x | 7x |
| 2560 | 4x | 8x |
| 2565 | 3x | 9x |
| 2570 | 2x | 10x |
| 2575 | 1x | 11x |

| H [mm] | h6 | h7 |
|--------|-----|-----|
| 2580 | h6 | h7 |
| 2585 | 11x | 1x |
| 2590 | 10x | 2x |
| 2595 | 9x | 3x |
| 2600 | 8x | 4x |
| 2605 | 7x | 5x |
| 2610 | 6x | 6x |
| 2615 | 5x | 7x |
| 2620 | 4x | 8x |
| 2625 | 3x | 9x |
| 2630 | 2x | 10x |
| 2635 | 1x | 11x |

| H [mm] | h7 | h8 |
|--------|-----|-----|
| 2640 | h7 | h8 |
| 2645 | 11x | 1x |
| 2650 | 10x | 2x |
| 2655 | 9x | 3x |
| 2660 | 8x | 4x |
| 2665 | 7x | 5x |
| 2670 | 6x | 6x |
| 2675 | 5x | 7x |
| 2680 | 4x | 8x |
| 2685 | 3x | 9x |
| 2690 | 2x | 10x |
| 2695 | 1x | 11x |

| H [mm] | h8 | h9 |
|--------|-----|-----|
| 2700 | h8 | h9 |
| 2705 | 11x | 1x |
| 2710 | 10x | 2x |
| 2715 | 9x | 3x |
| 2720 | 8x | 4x |
| 2725 | 7x | 5x |
| 2730 | 6x | 6x |
| 2735 | 5x | 7x |
| 2740 | 4x | 8x |
| 2745 | 3x | 9x |
| 2750 | 2x | 10x |
| 2755 | 1x | 11x |

| H [mm] | h9 | h10 |
|--------|-----|-----|
| 2760 | h9 | h10 |
| 2765 | 11x | 1x |
| 2770 | 10x | 2x |
| 2775 | 9x | 3x |
| 2780 | 8x | 4x |
| 2785 | 7x | 5x |
| 2790 | 6x | 6x |
| 2795 | 5x | 7x |
| 2800 | 4x | 8x |
| 2805 | 3x | 9x |
| 2810 | 2x | 10x |
| 2815 | 1x | 11x |
| 2820 | | 12x |



| | h | V05a | V05b |
|-----|--------|------|------|
| h1 | 190 mm | 0x | 0x |
| h2 | 195 mm | 1x | 0x |
| h3 | 200 mm | 2x | 0x |
| h4 | 205 mm | 3x | 0x |
| h5 | 210 mm | 4x | 0x |
| h6 | 215 mm | 0x | 1x |
| h7 | 220 mm | 1x | 1x |
| h8 | 225 mm | 2x | 1x |
| h9 | 230 mm | 3x | 1x |
| h10 | 235 mm | 4x | 1x |

10 marches et 1 plateforme

| H [mm] | h1 | h2 |
|--------|-----|-----|
| 2090 | 11x | |
| 2095 | 10x | 1x |
| 2100 | 9x | 2x |
| 2105 | 8x | 3x |
| 2110 | 7x | 4x |
| 2115 | 6x | 5x |
| 2120 | 5x | 6x |
| 2125 | 4x | 7x |
| 2130 | 3x | 8x |
| 2135 | 2x | 9x |
| 2140 | 1x | 10x |

| H [mm] | h2 | h3 |
|--------|-----|-----|
| 2145 | 11x | |
| 2150 | 10x | 1x |
| 2155 | 9x | 2x |
| 2160 | 8x | 3x |
| 2165 | 7x | 4x |
| 2170 | 6x | 5x |
| 2175 | 5x | 6x |
| 2180 | 4x | 7x |
| 2185 | 3x | 8x |
| 2190 | 2x | 9x |
| 2195 | 1x | 10x |

| H [mm] | h3 | h4 |
|--------|-----|-----|
| 2200 | 11x | |
| 2205 | 10x | 1x |
| 2210 | 9x | 2x |
| 2215 | 8x | 3x |
| 2220 | 7x | 4x |
| 2225 | 6x | 5x |
| 2230 | 5x | 6x |
| 2235 | 4x | 7x |
| 2240 | 3x | 8x |
| 2245 | 2x | 9x |
| 2250 | 1x | 10x |

| H [mm] | h4 | h5 |
|--------|-----|-----|
| 2255 | 11x | |
| 2260 | 10x | 1x |
| 2265 | 9x | 2x |
| 2270 | 8x | 3x |
| 2275 | 7x | 4x |
| 2280 | 6x | 5x |
| 2285 | 5x | 6x |
| 2290 | 4x | 7x |
| 2295 | 3x | 8x |
| 2300 | 2x | 9x |
| 2305 | 1x | 10x |

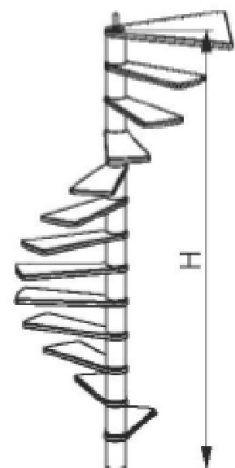
| H [mm] | h5 | h6 |
|--------|-----|-----|
| 2310 | 11x | |
| 2315 | 10x | 1x |
| 2320 | 9x | 2x |
| 2325 | 8x | 3x |
| 2330 | 7x | 4x |
| 2335 | 6x | 5x |
| 2340 | 5x | 6x |
| 2345 | 4x | 7x |
| 2350 | 3x | 8x |
| 2355 | 2x | 9x |
| 2360 | 1x | 10x |

| H [mm] | h6 | h7 |
|--------|-----|-----|
| 2365 | 11x | |
| 2370 | h6 | h7 |
| 2375 | 9x | 2x |
| 2380 | 8x | 3x |
| 2385 | 7x | 4x |
| 2390 | 6x | 5x |
| 2395 | 5x | 6x |
| 2400 | 4x | 7x |
| 2405 | 3x | 8x |
| 2410 | 2x | 9x |
| 2415 | 1x | 10x |

| H [mm] | h7 | h8 |
|--------|-----|-----|
| 2420 | 11x | |
| 2425 | h7 | h8 |
| 2430 | 9x | 2x |
| 2435 | 8x | 3x |
| 2440 | 7x | 4x |
| 2445 | 6x | 5x |
| 2450 | 5x | 6x |
| 2455 | 4x | 7x |
| 2460 | 3x | 8x |
| 2465 | 2x | 9x |
| 2470 | 1x | 10x |

| H [mm] | h8 | h9 |
|--------|-----|-----|
| 2475 | 11x | |
| 2480 | h8 | h9 |
| 2485 | 9x | 2x |
| 2490 | 8x | 3x |
| 2495 | 7x | 4x |
| 2500 | 6x | 5x |
| 2505 | 5x | 6x |
| 2510 | 4x | 7x |
| 2515 | 3x | 8x |
| 2520 | 2x | 9x |
| 2525 | 1x | 10x |

| H [mm] | h9 | h10 |
|--------|-----|-----|
| 2530 | 11x | |
| 2535 | h9 | h10 |
| 2540 | 9x | 2x |
| 2545 | 8x | 3x |
| 2550 | 7x | 4x |
| 2555 | 6x | 5x |
| 2560 | 5x | 6x |
| 2565 | 4x | 7x |
| 2570 | 3x | 8x |
| 2575 | 2x | 9x |
| 2580 | 1x | 10x |
| 2585 | | 11x |



| | h | V05a | V05b |
|-----|--------|------|------|
| h1 | 190 mm | 0x | 0x |
| h2 | 195 mm | 1x | 0x |
| h3 | 200 mm | 2x | 0x |
| h4 | 205 mm | 3x | 0x |
| h5 | 210 mm | 4x | 0x |
| h6 | 215 mm | 0x | 1x |
| h7 | 220 mm | 1x | 1x |
| h8 | 225 mm | 2x | 1x |
| h9 | 230 mm | 3x | 1x |
| h10 | 235 mm | 4x | 1x |

9 marches et 1 plateforme

| H [mm] | h1 | h2 |
|--------|-----|----|
| 1900 | 10x | |
| 1905 | 9x | 1x |
| 1910 | 8x | 2x |
| 1915 | 7x | 3x |
| 1920 | 6x | 4x |
| 1925 | 5x | 5x |
| 1930 | 4x | 6x |
| 1935 | 3x | 7x |
| 1940 | 2x | 8x |
| 1945 | 1x | 9x |

| H [mm] | h2 | h3 |
|--------|-----|----|
| 1950 | 10x | |
| 1955 | 9x | 1x |
| 1960 | 8x | 2x |
| 1965 | 7x | 3x |
| 1970 | 6x | 4x |
| 1975 | 5x | 5x |
| 1980 | 4x | 6x |
| 1985 | 3x | 7x |
| 1990 | 2x | 8x |
| 1995 | 1x | 9x |

| H [mm] | h3 | h4 |
|--------|-----|----|
| 2000 | 10x | |
| 2005 | 9x | 1x |
| 2010 | 8x | 2x |
| 2015 | 7x | 3x |
| 2020 | 6x | 4x |
| 2025 | 5x | 5x |
| 2030 | 4x | 6x |
| 2035 | 3x | 7x |
| 2040 | 2x | 8x |
| 2045 | 1x | 9x |

| H [mm] | h4 | h5 |
|--------|-----|----|
| 2050 | 10x | |
| 2055 | 9x | 1x |
| 2060 | 8x | 2x |
| 2065 | 7x | 3x |
| 2070 | 6x | 4x |
| 2075 | 5x | 5x |
| 2080 | 4x | 6x |
| 2085 | 3x | 7x |
| 2090 | 2x | 8x |
| 2095 | 1x | 9x |

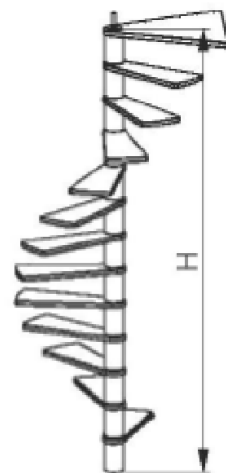
| H [mm] | h5 | h6 |
|--------|-----|----|
| 2100 | 10x | |
| 2105 | 9x | 1x |
| 2110 | 8x | 2x |
| 2115 | 7x | 3x |
| 2120 | 6x | 4x |
| 2125 | 5x | 5x |
| 2130 | 4x | 6x |
| 2135 | 3x | 7x |
| 2140 | 2x | 8x |
| 2145 | 1x | 9x |

| H [mm] | h6 | h7 |
|--------|-----|----|
| 2150 | 10x | |
| 2155 | h6 | h7 |
| 2160 | 8x | 2x |
| 2165 | 7x | 3x |
| 2170 | 6x | 4x |
| 2175 | 5x | 5x |
| 2180 | 4x | 6x |
| 2185 | 3x | 7x |
| 2190 | 2x | 8x |
| 2195 | 1x | 9x |

| H [mm] | h7 | h8 |
|--------|-----|----|
| 2200 | 10x | |
| 2205 | h7 | h8 |
| 2210 | 8x | 2x |
| 2215 | 7x | 3x |
| 2220 | 6x | 4x |
| 2225 | 5x | 5x |
| 2230 | 4x | 6x |
| 2235 | 3x | 7x |
| 2240 | 2x | 8x |
| 2245 | 1x | 9x |

| H [mm] | h8 | h9 |
|--------|-----|----|
| 2250 | 10x | |
| 2255 | h8 | h9 |
| 2260 | 8x | 2x |
| 2265 | 7x | 3x |
| 2270 | 6x | 4x |
| 2275 | 5x | 5x |
| 2280 | 4x | 6x |
| 2285 | 3x | 7x |
| 2290 | 2x | 8x |
| 2295 | 1x | 9x |

| H [mm] | h9 | h10 |
|--------|-----|-----|
| 2300 | 10x | |
| 2305 | h9 | h10 |
| 2310 | 8x | 2x |
| 2315 | 7x | 3x |
| 2320 | 6x | 4x |
| 2325 | 5x | 5x |
| 2330 | 4x | 6x |
| 2335 | 3x | 7x |
| 2340 | 2x | 8x |
| 2345 | 1x | 9x |
| 2350 | | 10x |



| | h | V05a | V05b |
|-----|--------|------|------|
| h1 | 190 mm | 0x | 0x |
| h2 | 195 mm | 1x | 0x |
| h3 | 200 mm | 2x | 0x |
| h4 | 205 mm | 3x | 0x |
| h5 | 210 mm | 4x | 0x |
| h6 | 215 mm | 0x | 1x |
| h7 | 220 mm | 1x | 1x |
| h8 | 225 mm | 2x | 1x |
| h9 | 230 mm | 3x | 1x |
| h10 | 235 mm | 4x | 1x |

8 marches et 1 plateforme

| H [mm] | h1 | h2 |
|--------|----|----|
| 1710 | 9x | |
| 1715 | 8x | 1x |
| 1720 | 7x | 2x |
| 1725 | 6x | 3x |
| 1730 | 5x | 4x |
| 1735 | 4x | 5x |
| 1740 | 3x | 6x |
| 1745 | 2x | 7x |
| 1750 | 1x | 8x |

| H [mm] | h2 | h3 |
|--------|----|----|
| 1755 | 9x | |
| 1760 | 8x | 1x |
| 1765 | 7x | 2x |
| 1770 | 6x | 3x |
| 1775 | 5x | 4x |
| 1780 | 4x | 5x |
| 1785 | 3x | 6x |
| 1790 | 2x | 7x |
| 1795 | 1x | 8x |

| H [mm] | h3 | h4 |
|--------|----|----|
| 1800 | 9x | |
| 1805 | 8x | 1x |
| 1810 | 7x | 2x |
| 1815 | 6x | 3x |
| 1820 | 5x | 4x |
| 1825 | 4x | 5x |
| 1830 | 3x | 6x |
| 1835 | 2x | 7x |
| 1840 | 1x | 8x |

| H [mm] | h4 | h5 |
|--------|----|----|
| 1845 | 9x | |
| 1850 | 8x | 1x |
| 1855 | 7x | 2x |
| 1860 | 6x | 3x |
| 1865 | 5x | 4x |
| 1870 | 4x | 5x |
| 1875 | 3x | 6x |
| 1880 | 2x | 7x |
| 1885 | 1x | 8x |

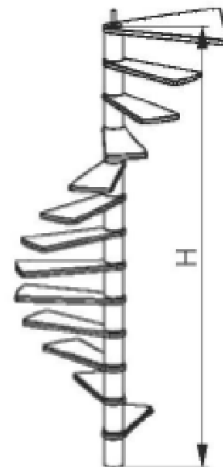
| H [mm] | h5 | h6 |
|--------|----|----|
| 1890 | 9x | |
| 1895 | 8x | 1x |
| 1900 | 7x | 2x |
| 1905 | 6x | 3x |
| 1910 | 5x | 4x |
| 1915 | 4x | 5x |
| 1920 | 3x | 6x |
| 1925 | 2x | 7x |
| 1930 | 1x | 8x |

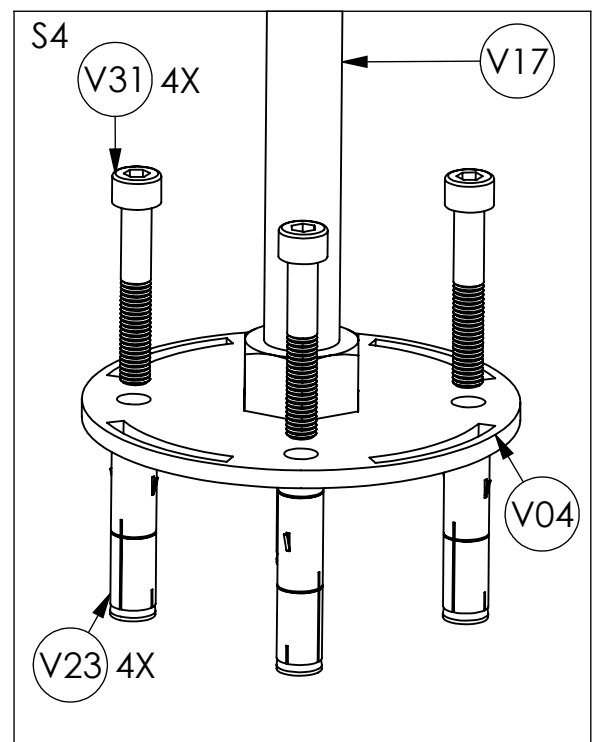
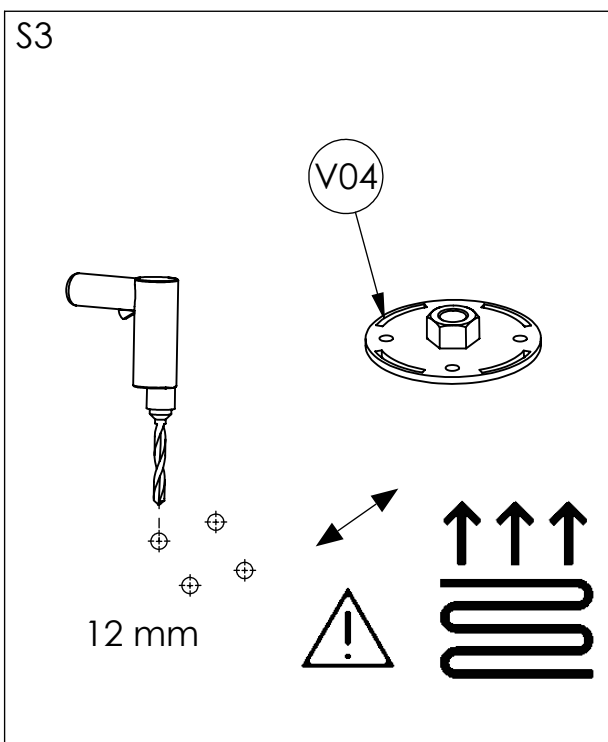
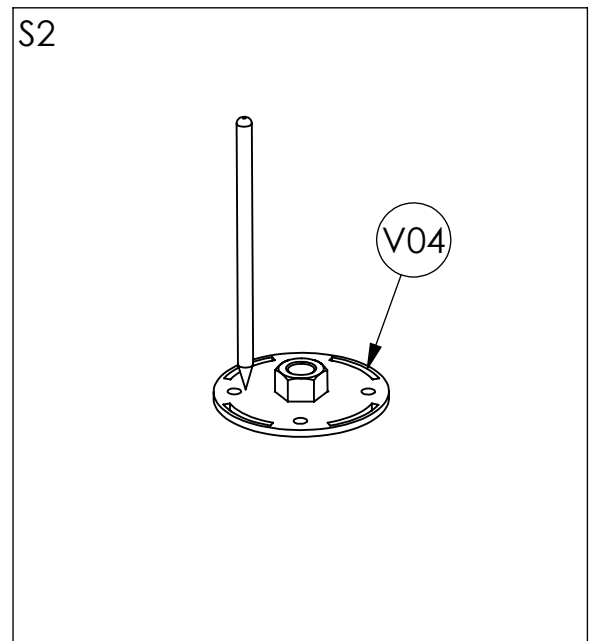
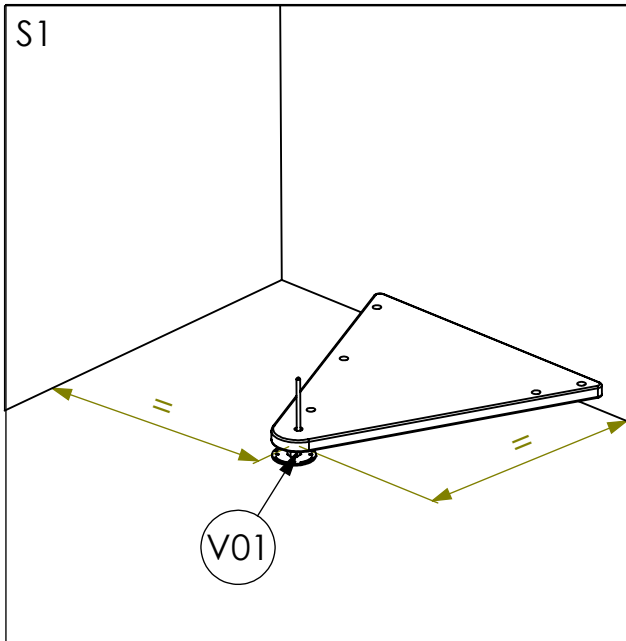
| H [mm] | h6 | h7 |
|--------|----|----|
| 1935 | 9x | |
| 1940 | 8x | 1x |
| 1945 | 7x | 2x |
| 1950 | 6x | 3x |
| 1955 | 5x | 4x |
| 1960 | 4x | 5x |
| 1965 | 3x | 6x |
| 1970 | 2x | 7x |
| 1975 | 1x | 8x |

| H [mm] | h7 | h8 |
|--------|----|----|
| 1980 | 9x | |
| 1985 | 8x | 1x |
| 1990 | 7x | 2x |
| 1995 | 6x | 3x |
| 2000 | 5x | 4x |
| 2005 | 4x | 5x |
| 2010 | 3x | 6x |
| 2015 | 2x | 7x |
| 2020 | 1x | 8x |

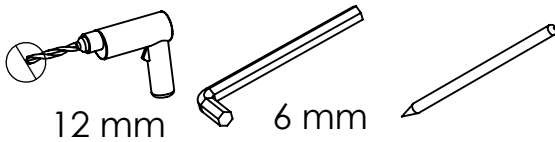
| H [mm] | h8 | h9 |
|--------|----|----|
| 2025 | 9x | |
| 2030 | 8x | 1x |
| 2035 | 7x | 2x |
| 2040 | 6x | 3x |
| 2045 | 5x | 4x |
| 2050 | 4x | 5x |
| 2055 | 3x | 6x |
| 2060 | 2x | 7x |
| 2065 | 1x | 8x |

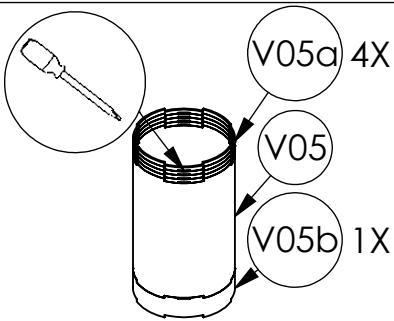
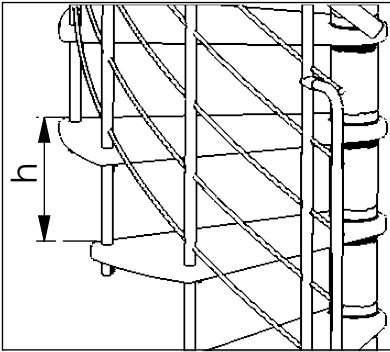
| H [mm] | h9 | h10 |
|--------|----|-----|
| 2070 | 9x | |
| 2075 | 8x | 1x |
| 2080 | 7x | 2x |
| 2085 | 6x | 3x |
| 2090 | 5x | 4x |
| 2095 | 4x | 5x |
| 2100 | 3x | 6x |
| 2105 | 2x | 7x |
| 2110 | 1x | 8x |
| 2115 | | 9x |



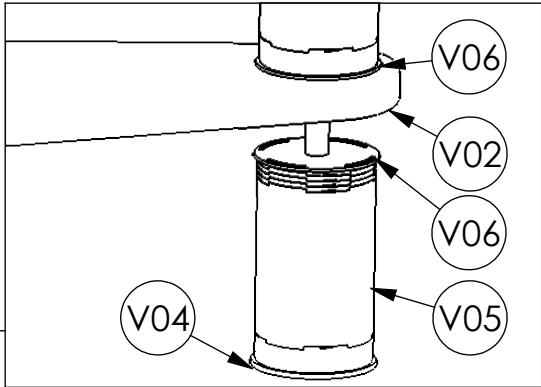
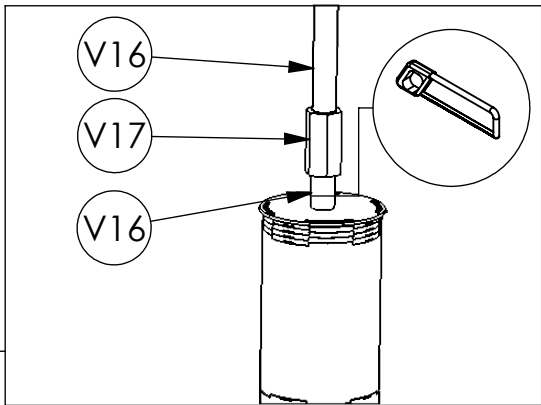
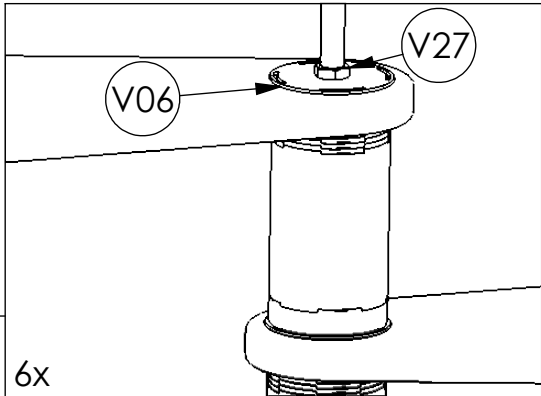
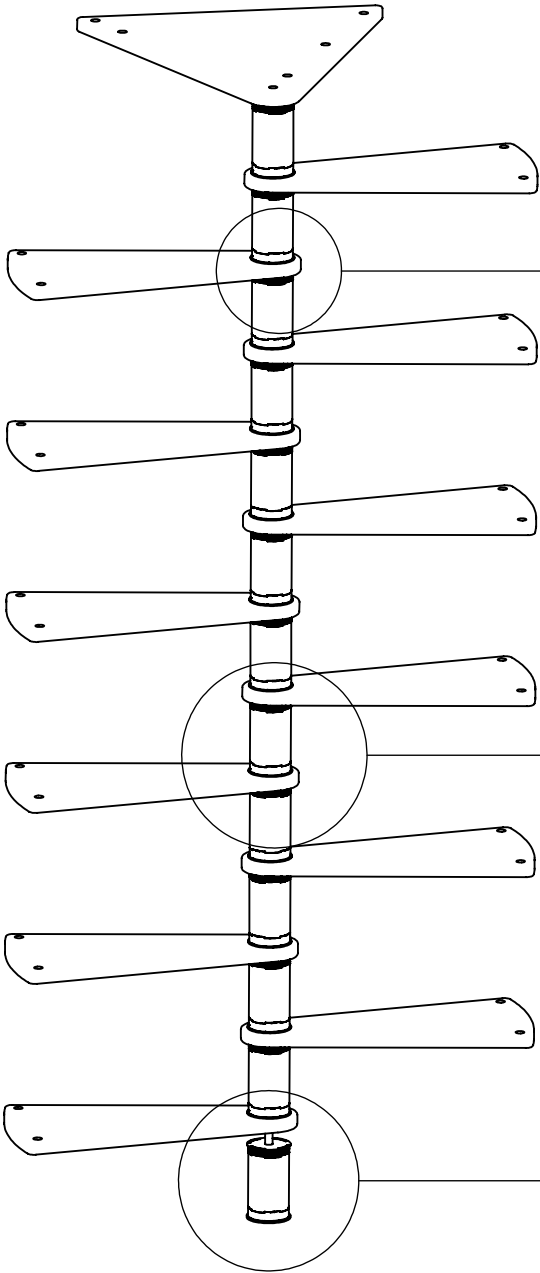


9





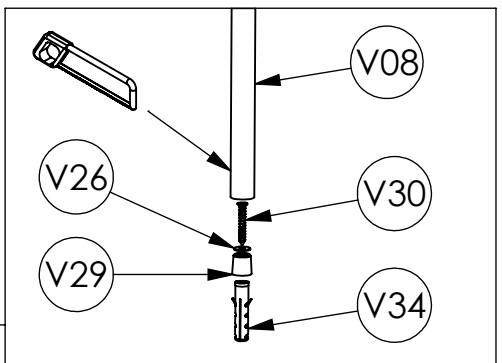
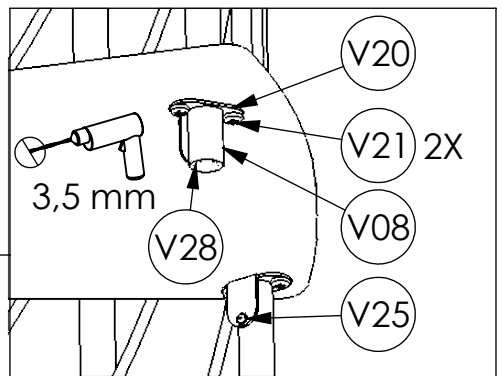
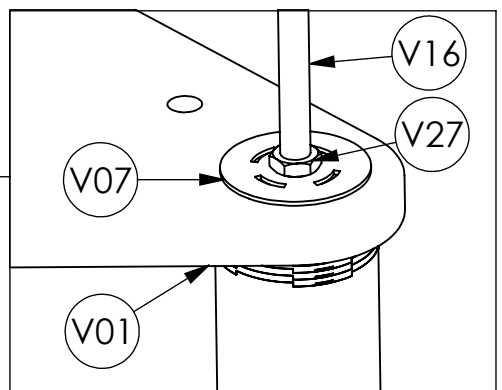
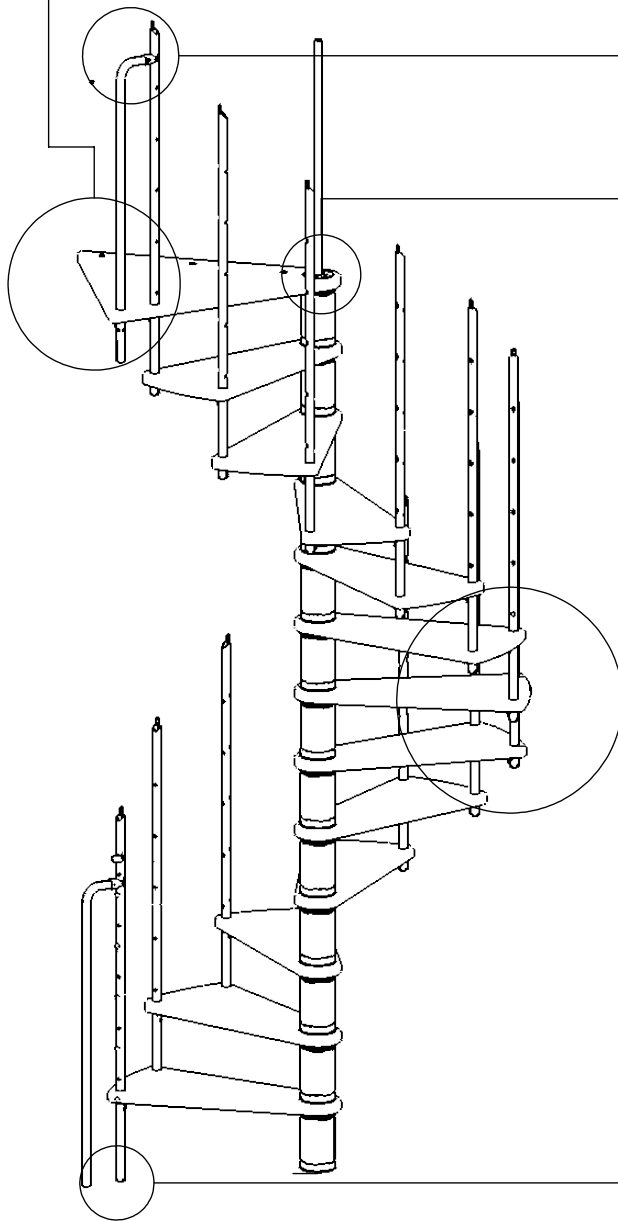
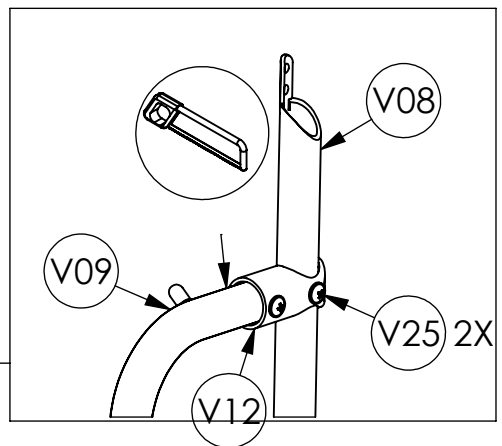
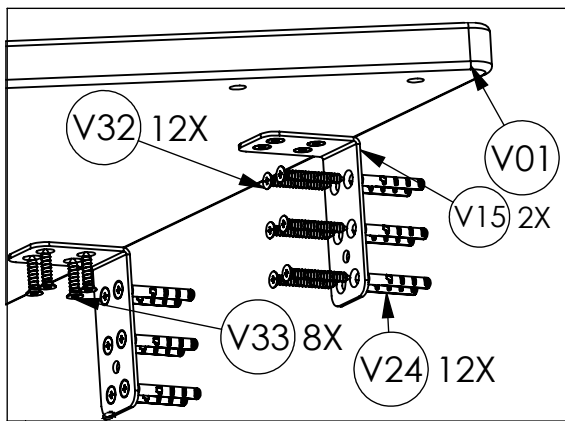
| h | V05a | V05b |
|--------|------|------|
| 190 mm | 0x | 0x |
| 195 mm | 1x | 0x |
| 200 mm | 2x | 0x |
| 205 mm | 3x | 0x |
| 210 mm | 4x | 0x |
| 215 mm | 0x | 1x |
| 220 mm | 1x | 1x |
| 225 mm | 2x | 1x |
| 230 mm | 3x | 1x |
| 235 mm | 4x | 1x |



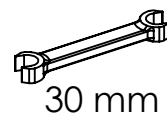
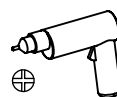
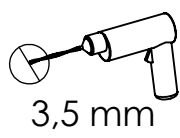
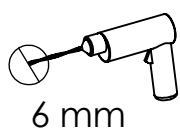
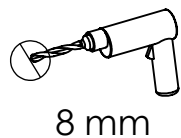
10

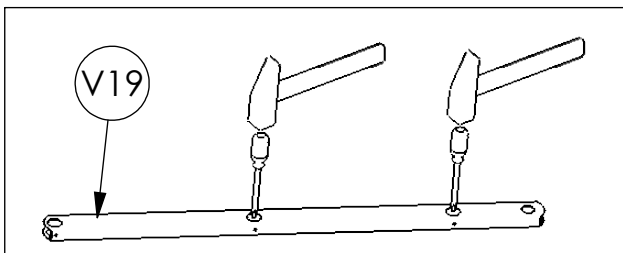
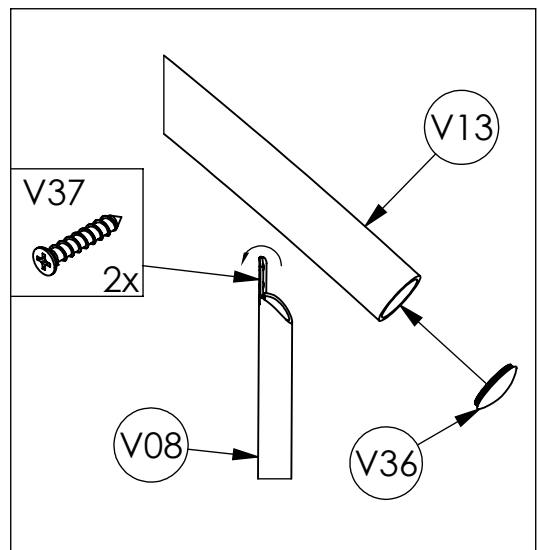
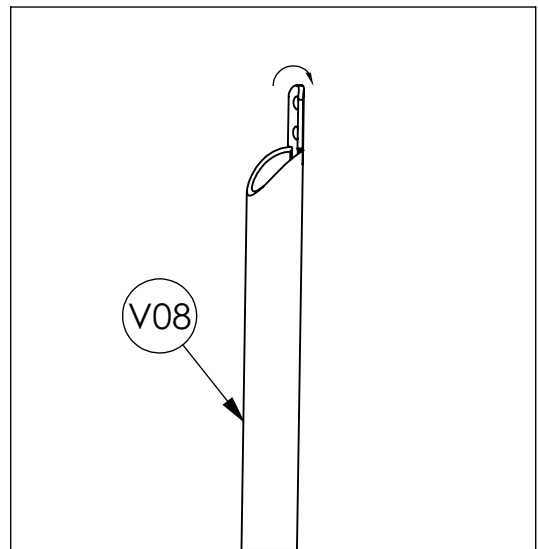
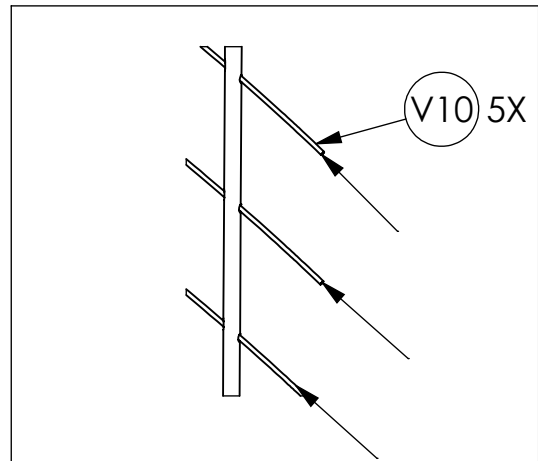
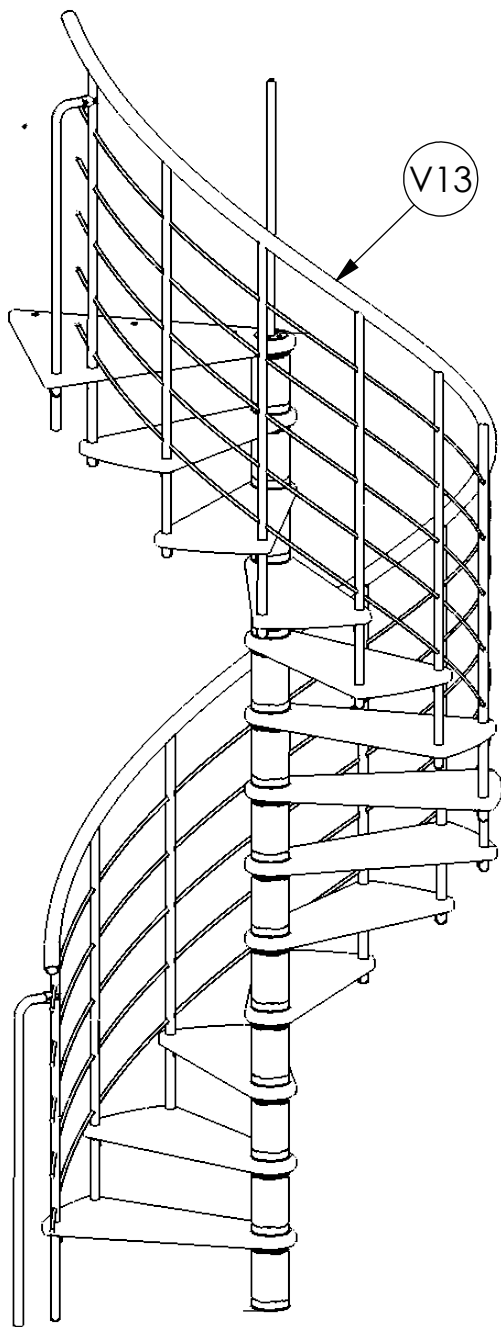


30 mm

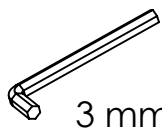


11

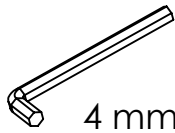




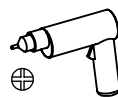
12

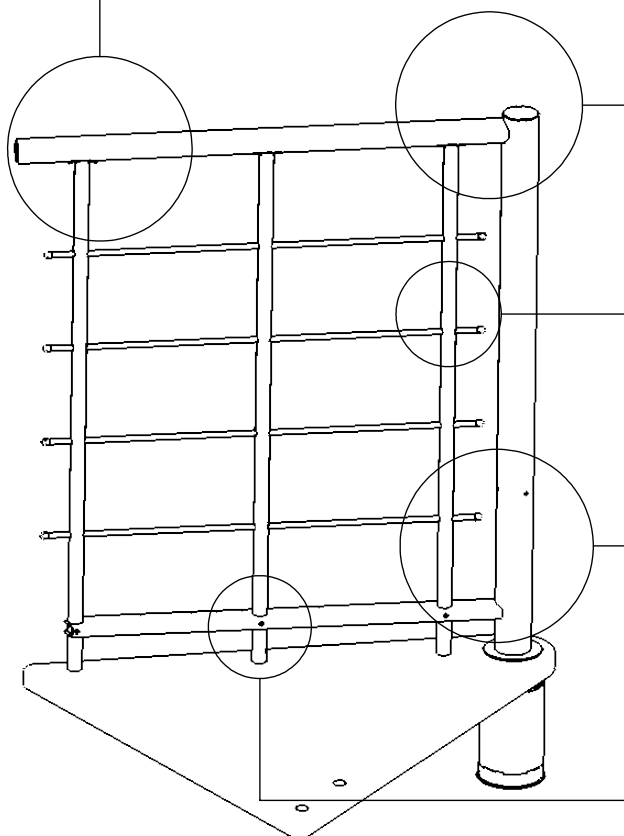
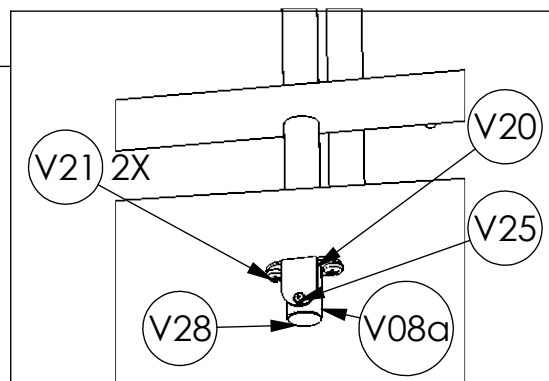
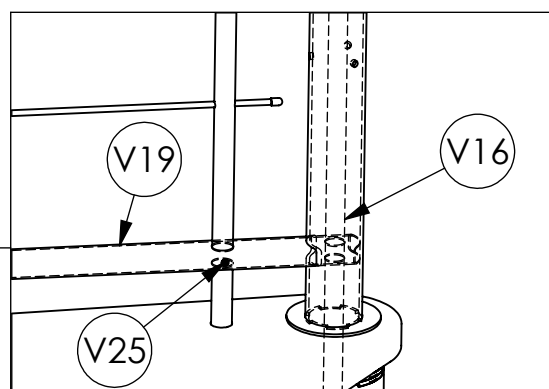
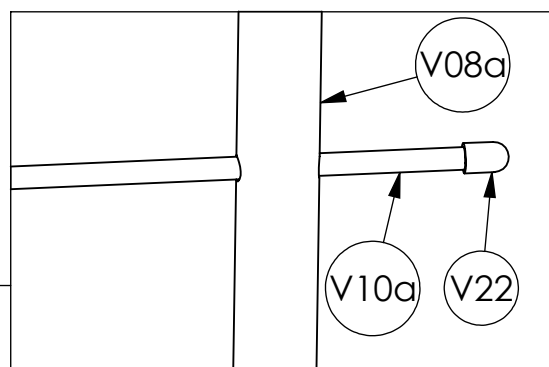
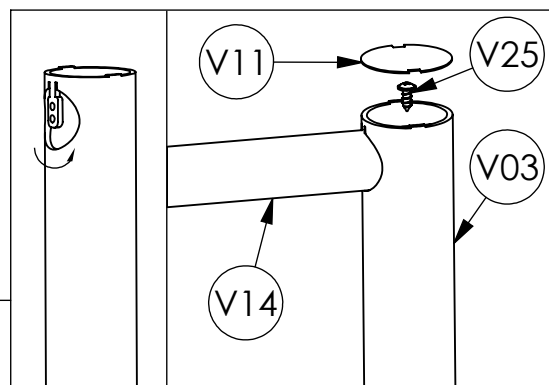
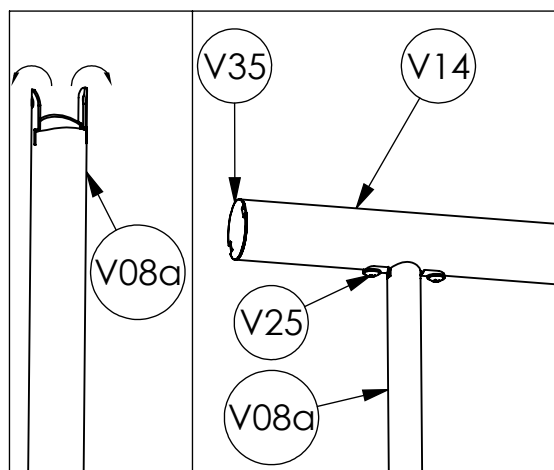


3 mm



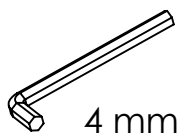
4 mm





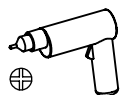
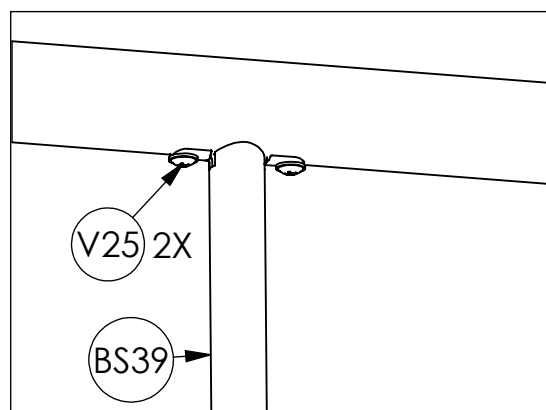
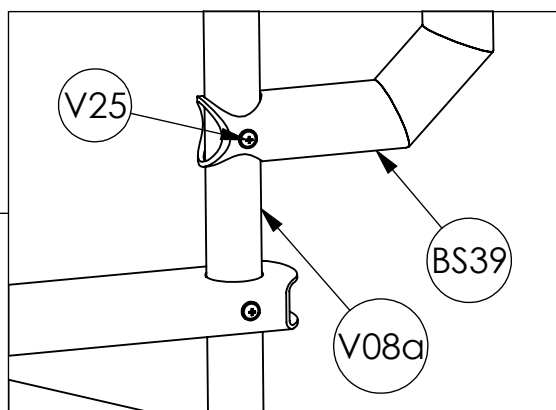
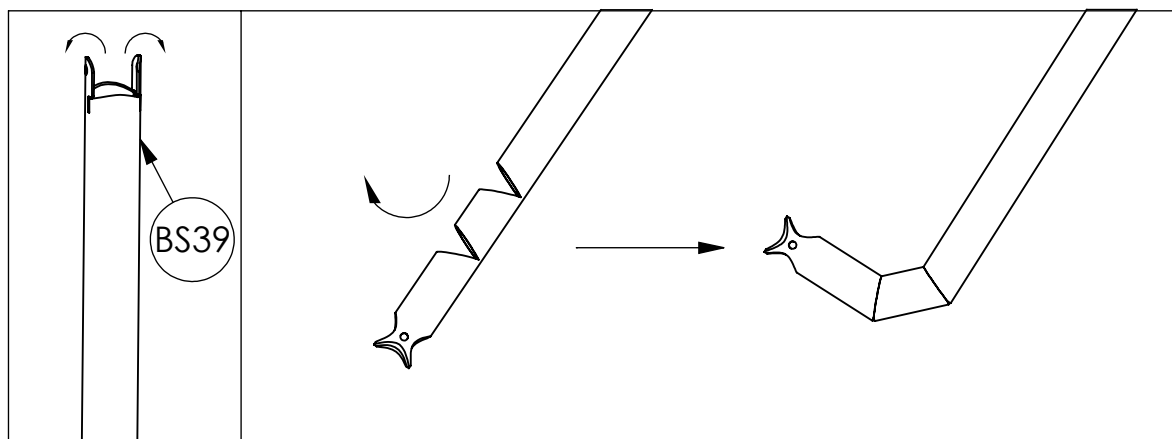
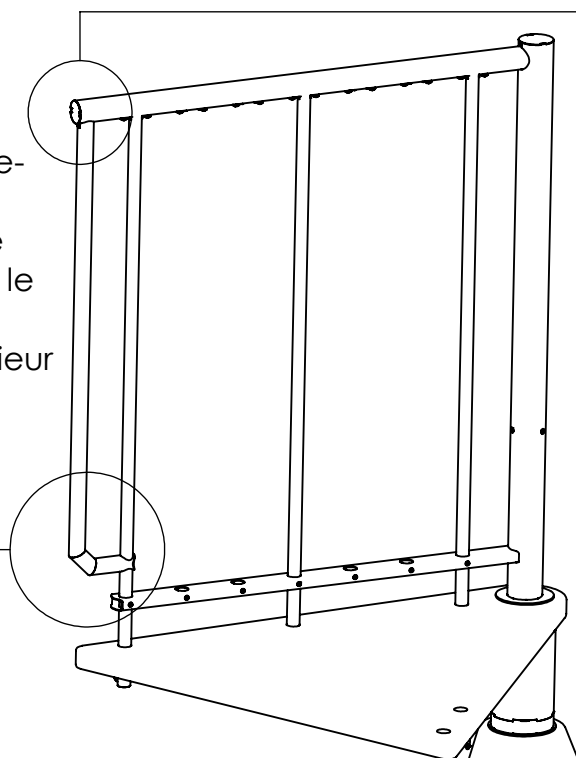
Ne montez pas la main courante avant d'avoir terminé les pages 14 et 15 des instructions de montage.

13

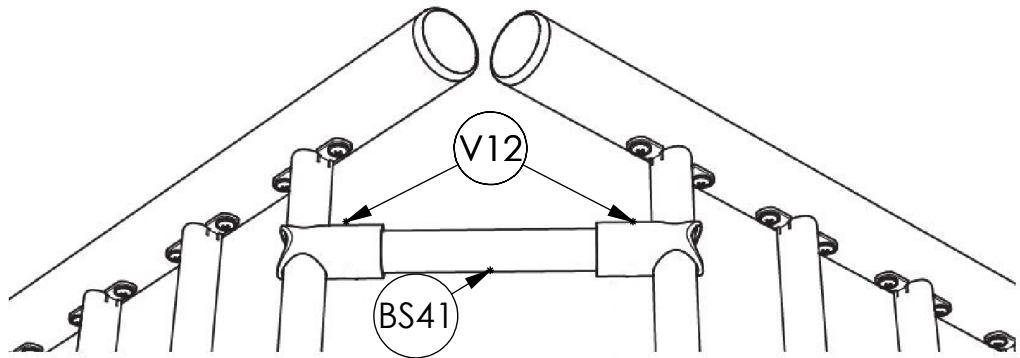


OPTION

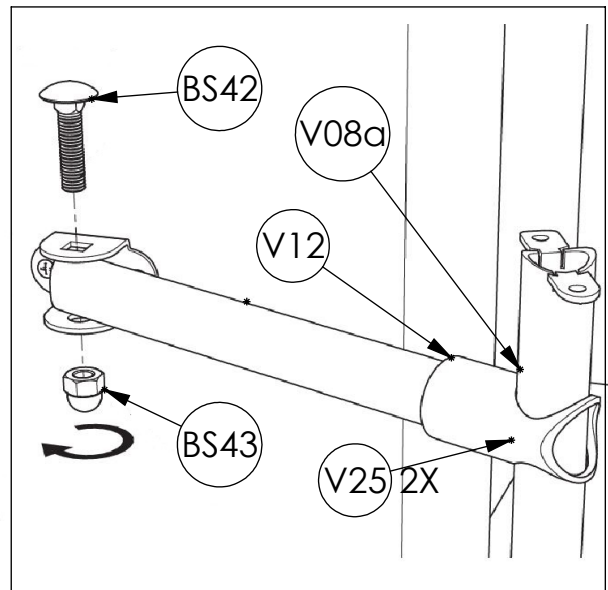
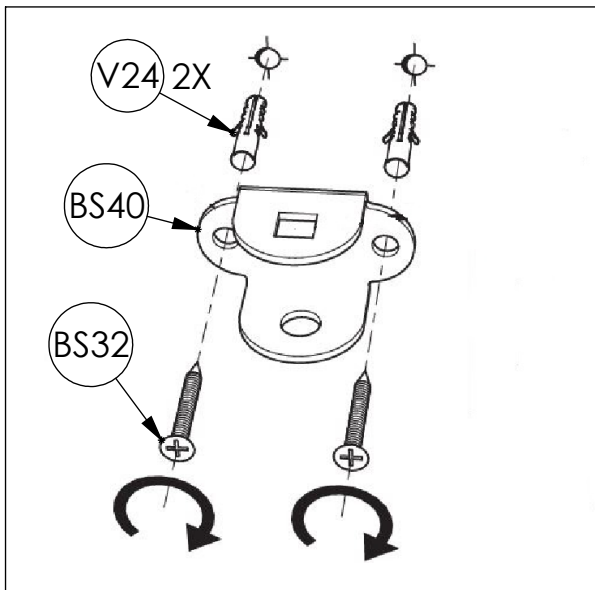
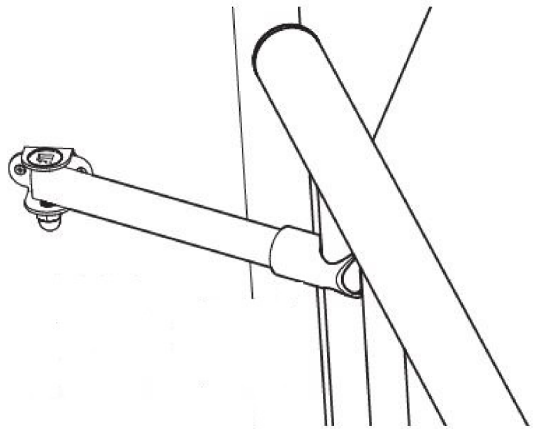
Extension de garde-corps requise si l'écartement entre dernier barreau et le mur ou balustrade attenante est supérieur à 110mm



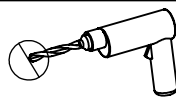
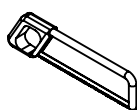
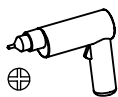
Montage en renforcement de deux balustrades



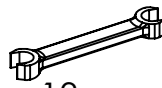
Montage standard:



15

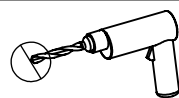


8 mm

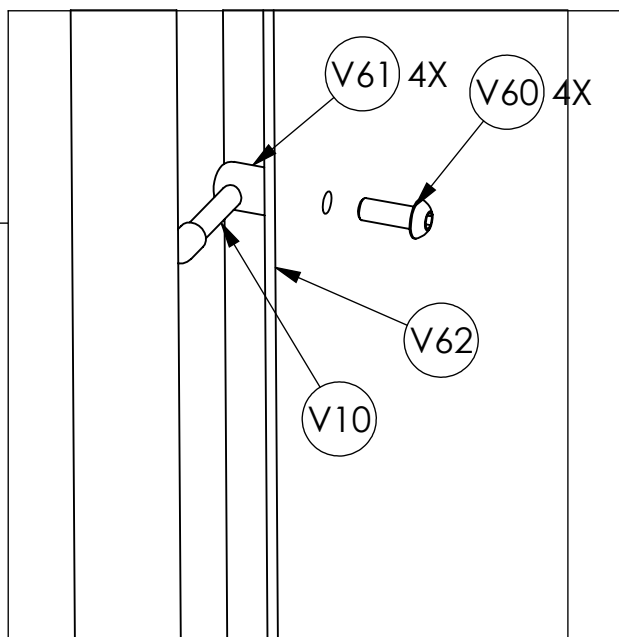
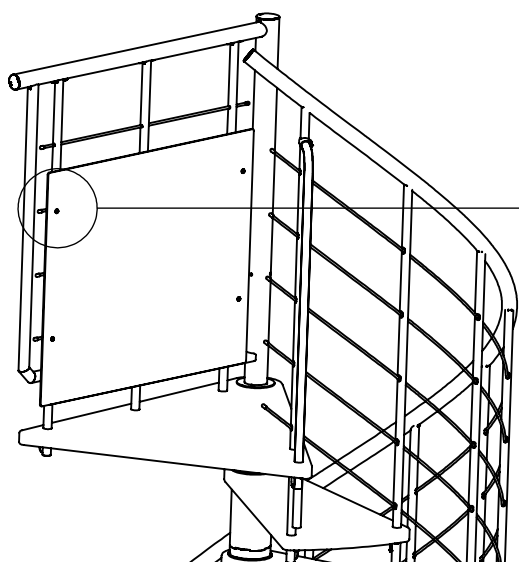
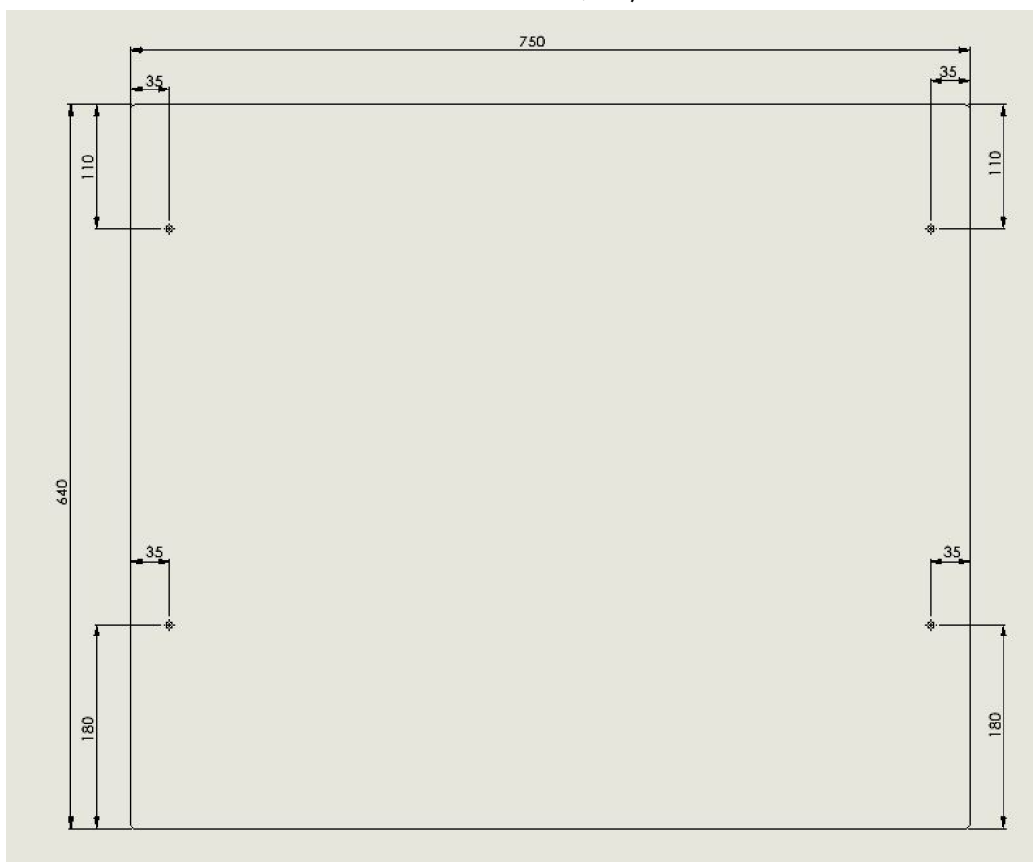


13 mm

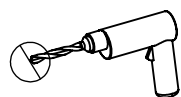
V62



Ø6,5 mm



16



Ø6,5 mm